

DESCRIPTION:
 SNAPNRACK, TDS, FLASHING, VERDE INDUSTRIES, 1.0SSO,
 SOLAR SUB BASE FLASHING, GALV

DOC NUMBER:
 SNR-DC-01406

SnapNrack®

PART NUMBER(S):

175-05005

DRAWN BY:

D.RYAN

REV:

A

DATE:

10/30/2023

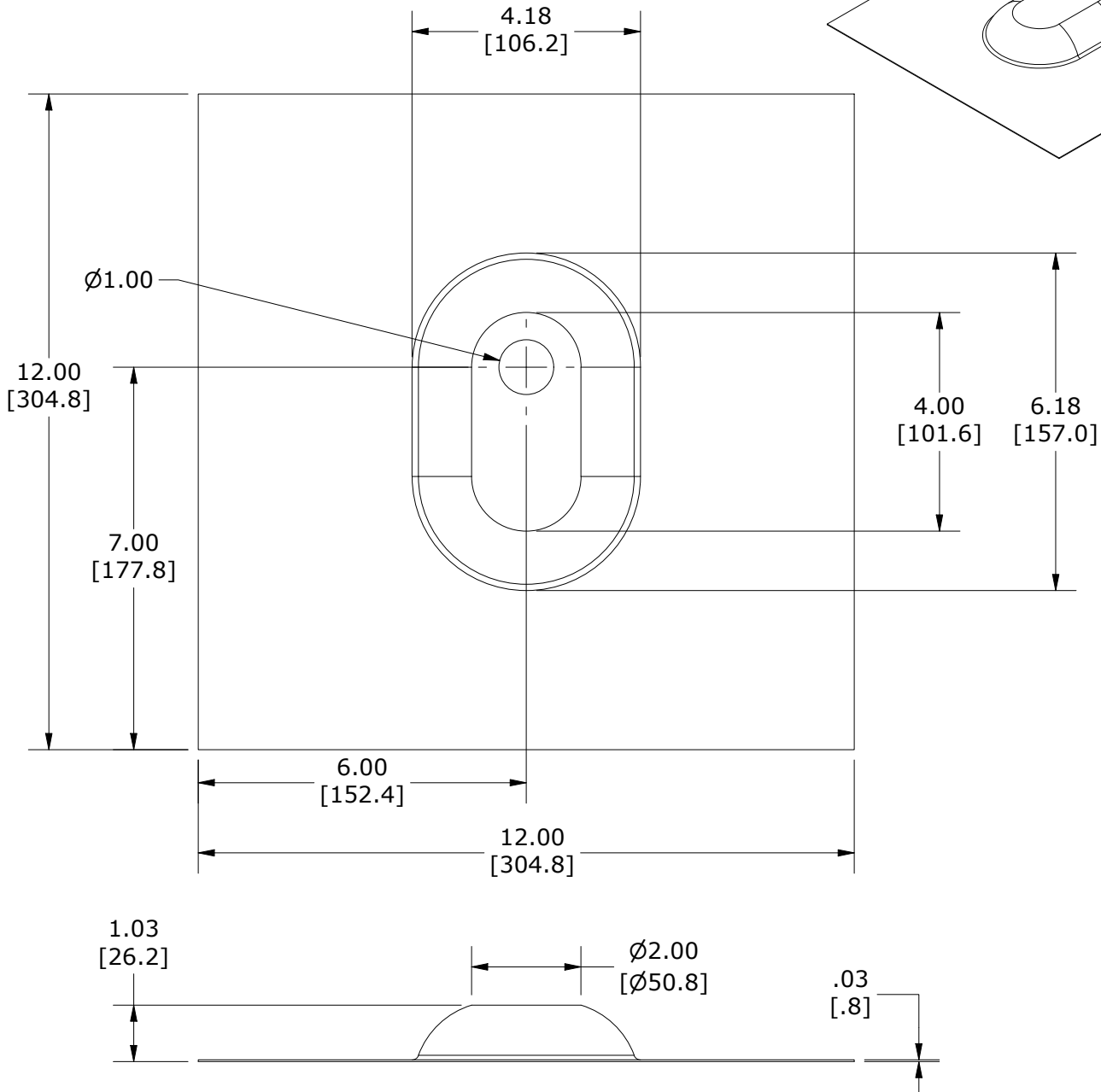
SUNRUN INSTALLATION SERVICES INC.

225 BUSH STREET, SUITE 1400 • SAN FRANCISCO, CA 94104 USA
 PHONE (877) 732-2860 • CONTACT@SNAPNRACK.COM

THE INFORMATION IN THIS DRAWING IS CONFIDENTIAL AND PROPRIETARY. ANY
 REPRODUCTION, DISCLOSURE, OR USE THEREOF IS PROHIBITED WITHOUT THE
 WRITTEN CONSENT OF SUNRUN SOUTH LLC.

UNITS: IN, LB, DEG [MM, KG, DEG]

SHEET: 1:1



MATERIALS:

GALV. STEEL

DESIGN LOAD (LBS):

N/A

ULTIMATE LOAD (LBS):

N/A

TORQUE SPECIFICATION:

N/A

CERTIFICATION:

N/A

WEIGHT (LBS):

1.34