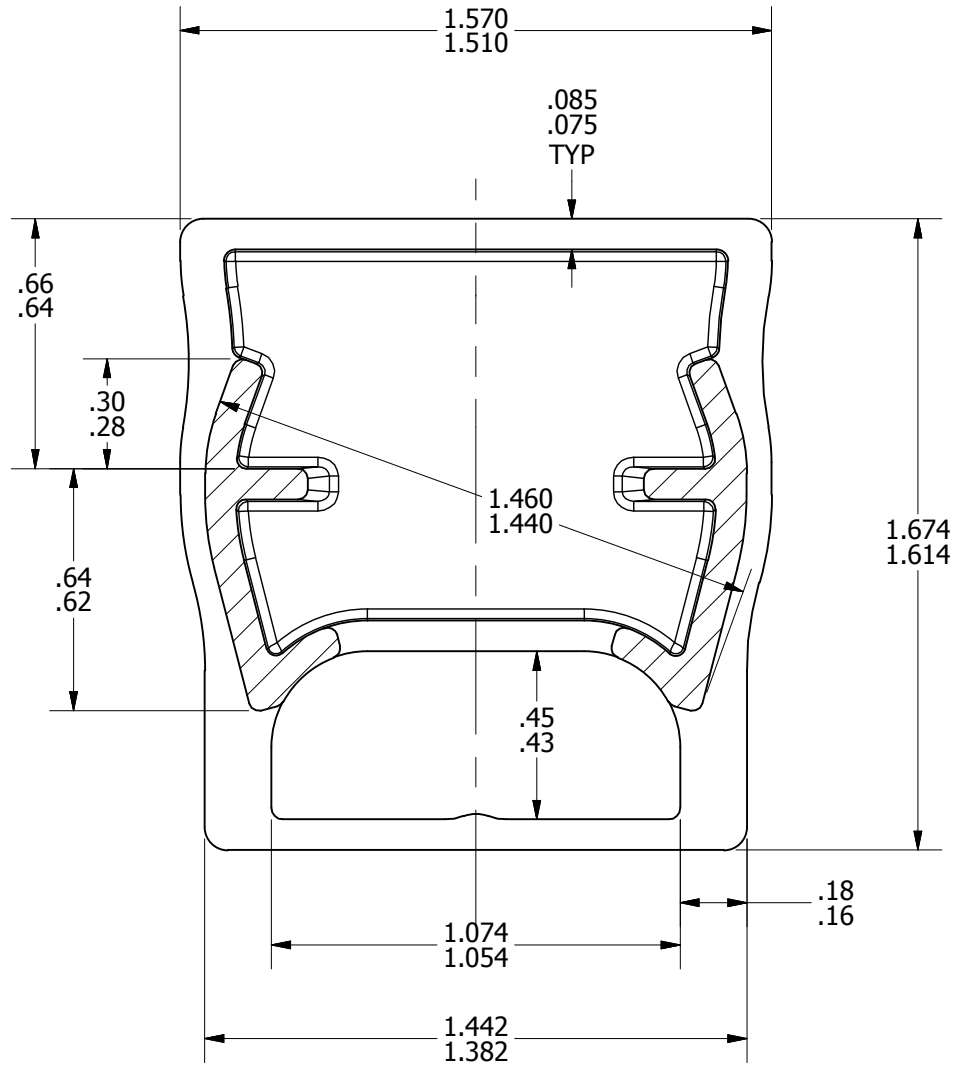


PART MOLDED IN VALOX 357U  
POLYCARBONATE WITH PBT

RESIN COLOR: BLACK

PART SNUGGLY PRESS FITS INTO  
UR-40 RAIL, 232-02451,  
232-02450, OR 232-02449

ALL DIMENSIONS IN INCHES°



SECTION C-C  
SCALE 2 : 1



SIDE

ASSEMBLER:

INSPECTOR:

PATENTS PENDING

DESCRIPTION:

SNAPNRACK UR-40 END CAP

DRAWN BY: Marty.Affentrager

APPROVED BY: G.McPheeters

REVISION:

A	8/9/2017	NEW ITEM	MA
B	8/15/2017	DRAFT ANGLE	MA
C	8/16/2017	DFM	MA

**SnapNrack™**  
Solar Mounting Solutions

Sunrun South LLC

595 MARKET STREET, 29TH FLOOR • SAN FRANCISCO, CA 94105 USA  
PHONE (415) 580-6900 • FAX (415) 580-6902

PART NUMBER:

232-02452

SCALE:

DNS

REV:

C

THE INFORMATION IN THIS DRAWING IS CONFIDENTIAL AND PROPRIETARY. ANY REPRODUCTION, DISCLOSURE, OR USE THEREOF IS PROHIBITED WITHOUT THE WRITTEN CONSENT OF SUNRUN SOUTH LLC.