

DESCRIPTION:
SNAPNRACK, MLPE FRAME ATTACHMENT KIT

PART NUMBER(S):
242-02151

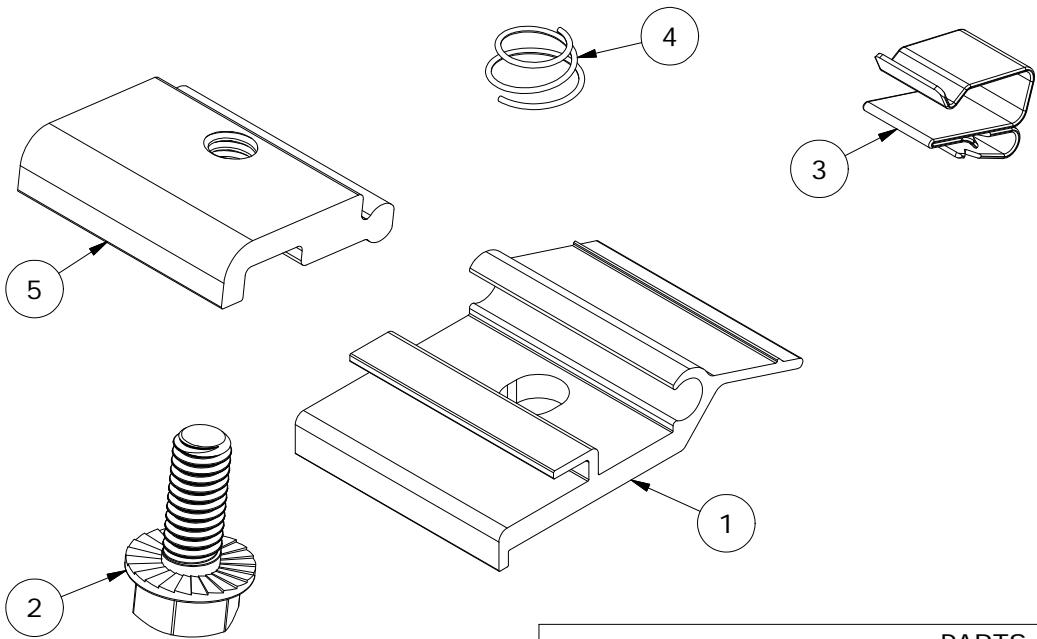
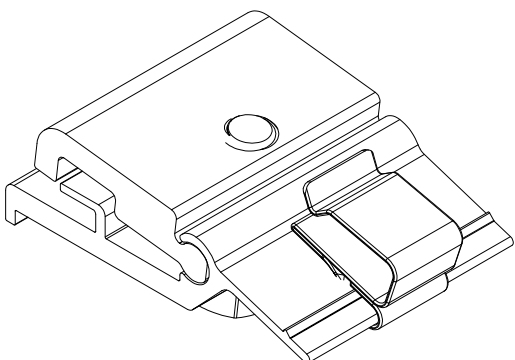
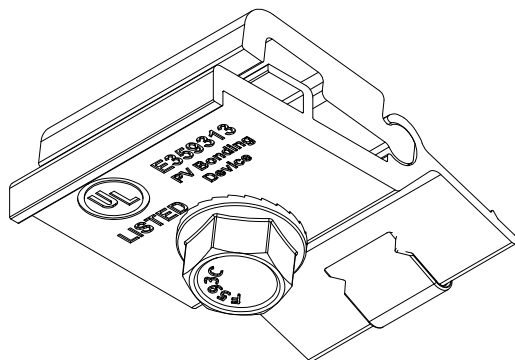
DRAWN BY:
 mwatkins

REVISION:
A

SnapNrack™
 Solar Mounting Solutions

595 MARKET STREET, 29TH FLOOR • SAN FRANCISCO, CA 94105 USA
 PHONE (415) 580-6900 • FAX (415) 580-6902

THE INFORMATION IN THIS DRAWING IS CONFIDENTIAL AND PROPRIETARY. ANY REPRODUCTION, DISCLOSURE, OR USE THEREOF IS PROHIBITED WITHOUT THE WRITTEN CONSENT OF SUNRUN SOUTH LLC.



PARTS LIST		
ITEM	QTY	DESCRIPTION
1	1	SNAPNRACK, MLPE FRAME ATTACHMENT BOTTOM PRC
2	1	BOLT, FLANGE, 5/16IN-18 X 3/4IN, CLEAR, SS
3	1	SNAPNRACK, SMART CLIP II
4	1	SNAPNRACK, COIL SPRING FOR MLPE FRAME ATTACHMENT
5	1	SNAPNRACK, MLPE FRAME ATTACHMENT TOP PRC

MATERIALS:	6000 SERIES ALUMINUM, STAINLESS STEEL	OPTIONS:
DESIGN LOAD (LBS):	N/A	
ULTIMATE LOAD (LBS):	N/A	
TORQUE SPECIFICATION:	10 LB-FT	
CERTIFICATION:	UL 2703, FILE E359313	
WEIGHT (LBS):	0.13	

DESCRIPTION:
SNAPNRACK, MLPE FRAME ATTACHMENT KIT

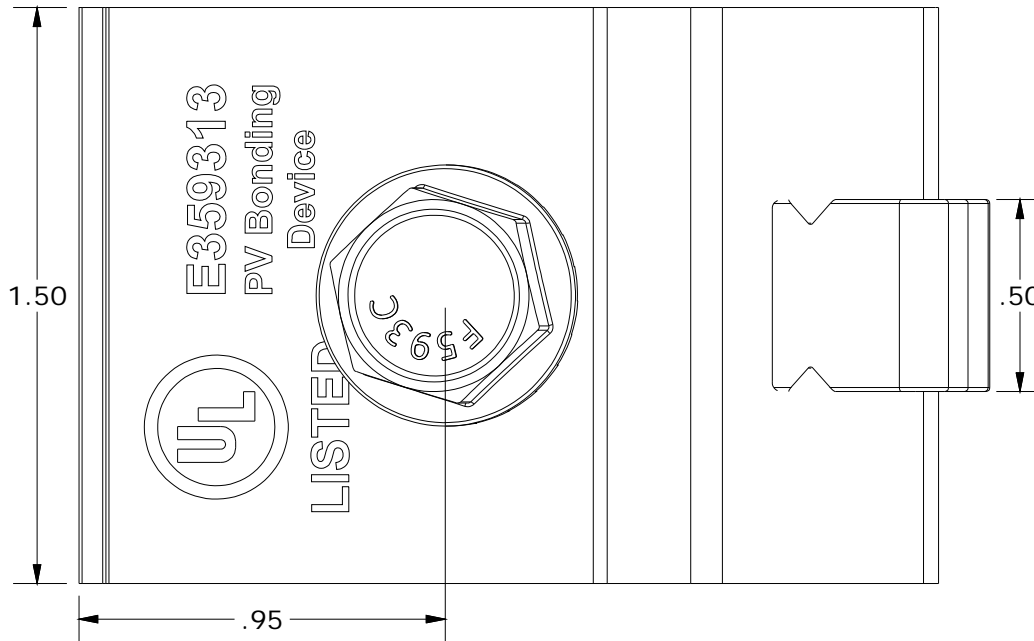
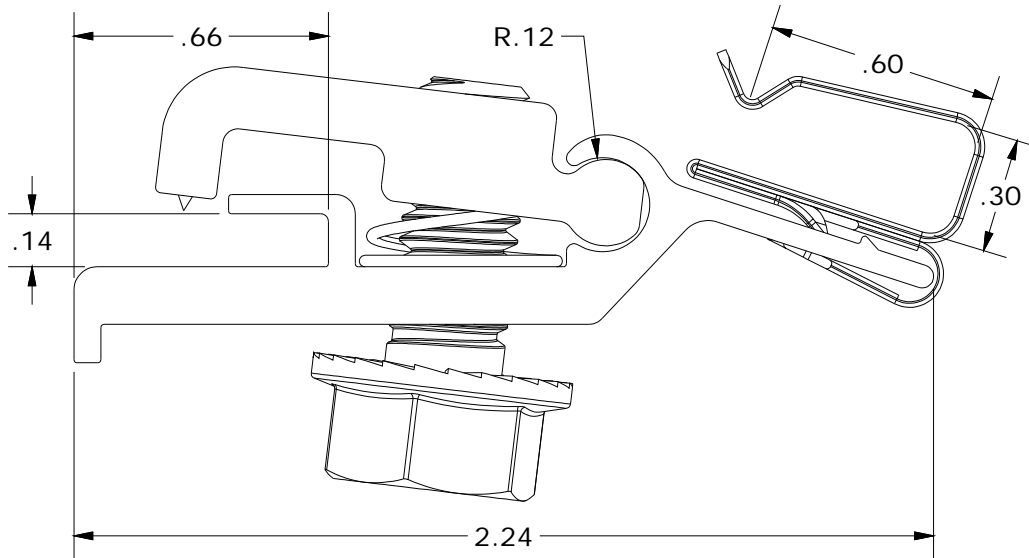
DRAWN BY:
mwatkins



PART NUMBER(S):
242-02151

REVISION:
A

595 MARKET STREET, 29TH FLOOR • SAN FRANCISCO, CA 94105 USA
PHONE (415) 580-6900 • FAX (415) 580-6902
THE INFORMATION IN THIS DRAWING IS CONFIDENTIAL AND PROPRIETARY. ANY REPRODUCTION, DISCLOSURE, OR USE THEREOF IS PROHIBITED WITHOUT THE WRITTEN CONSENT OF SUNRUN SOUTH LLC.



ALL DIMENSIONS IN INCHES