

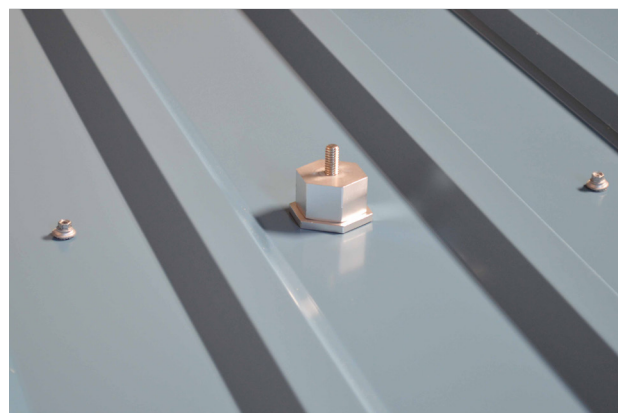
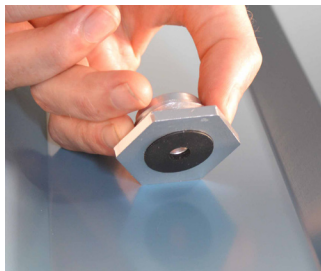
SERIES 100 METAL ROOF BASE

SnapNrack PV Mounting Systems

The SnapNrack line of solar mounting systems is designed to reduce total installation costs. The system features technical innovations proven on more than 200MW of solar projects to simplify installation and reduce costs.

Metal Roof Base Simplified

The Metal Roof Base provides a robust self-sealing mounting base for common corrugated metal roof profiles. The base seals to the roof with an integral EPDM Rubber Washer and a sealing top cap. The completed assembly has a 5/16" stud compatible with existing SnapNrack components and has been tested to over 4,000lbs of uplift force! The MRB can't be beat for ease of installation and reliability over the service life of the system.



Metal Roof Base in 3 Simple Steps:

- 1) Drill hole in roof over beam, rafter, or purlin.*
- 2) Secure MRB base to the roof with lag bolt or tek screw.
- 3) Install and tighten MRB cap

* Make sure that the roof and gasket are free of debris or metal shavings.

Place order through your SnapNrack distributor, which can be found at www.snapnrack.com/contact

Patent Pending

SnapNrack™
PV Mounting Systems

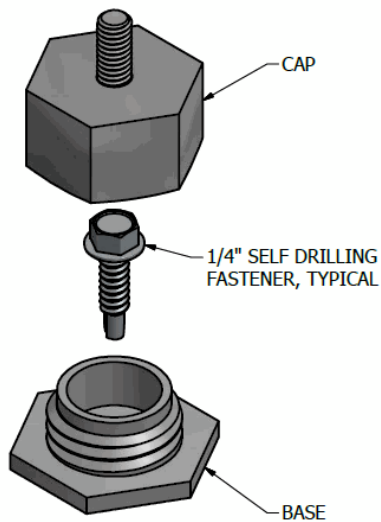


Metal Roof Base for Series 100 Installation



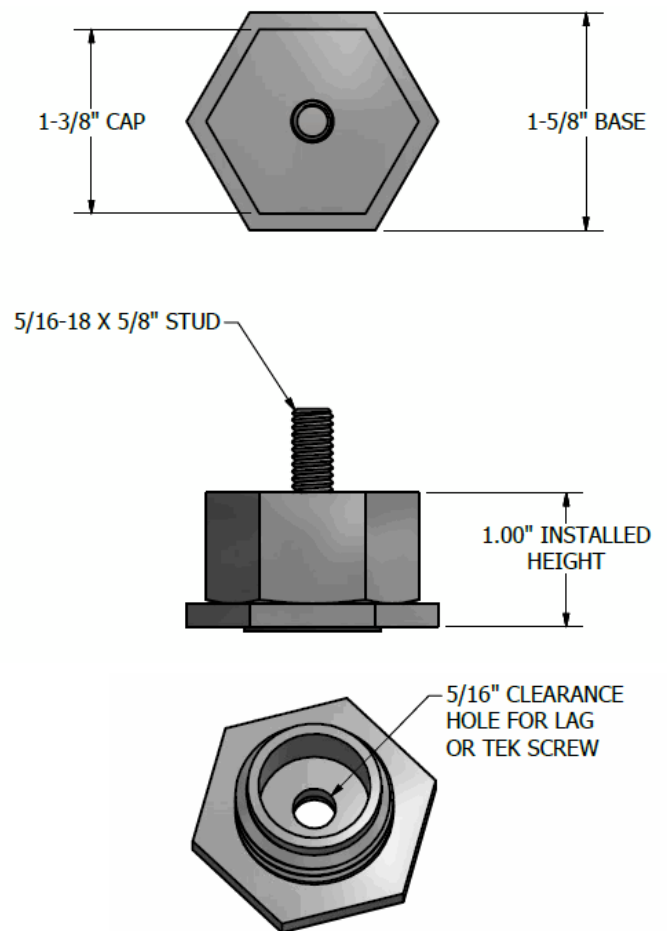
Metal Roof Base for Commercial Installation

Metal Roof Base Assembly



Tek screw or lag is not provided

Metal Roof Base Dimensions



SnapNrack Metal Roof Base Technical Data <small>Patent Pending</small>	
Structural engineering in all fifty states	
Materials	• 6000 Series Aluminum
Material Finish	• Clear anodized aluminum
Weight	• 0.4 lbs
Design Uplift Load	• 1,008 lbs Uplift
Design Ultimate Load	• 4,033 lbs Uplift
Warranty	• 10 Year material and workmanship

SnapNrack™
PV Mounting Systems

(877) 732-2860 www.SnapNrack.com

♻️ Printed on recycled paper using soy based inks.

© 2013 by SnapNrack PV Mounting System. All rights reserved.