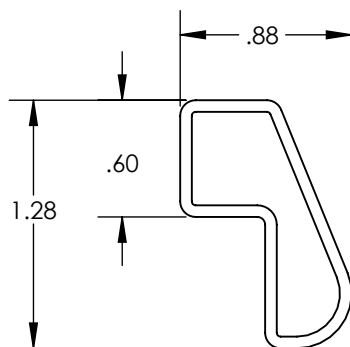
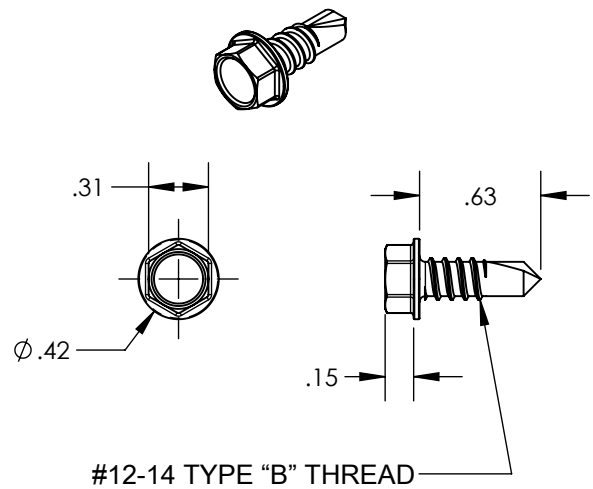


XR-10-SPLC-BD
KIT, XR10 BONDED SPLICE

1) Splice, XR10, Mill 12" long



2) Screw, Self Drilling



| Property | Value |
|----------|----------------------|
| Material | 6000 Series Aluminum |
| Finish | Mill |

| Property | Value |
|----------|----------------------------|
| Material | 300 Series Stainless Steel |
| Finish | Clear |