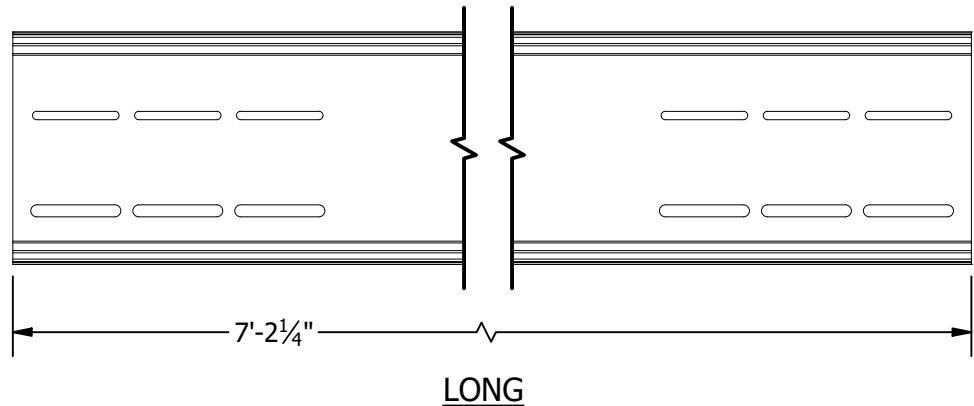
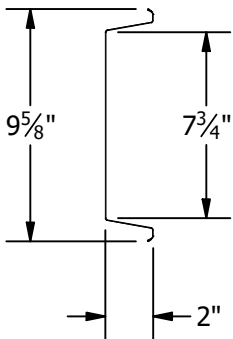
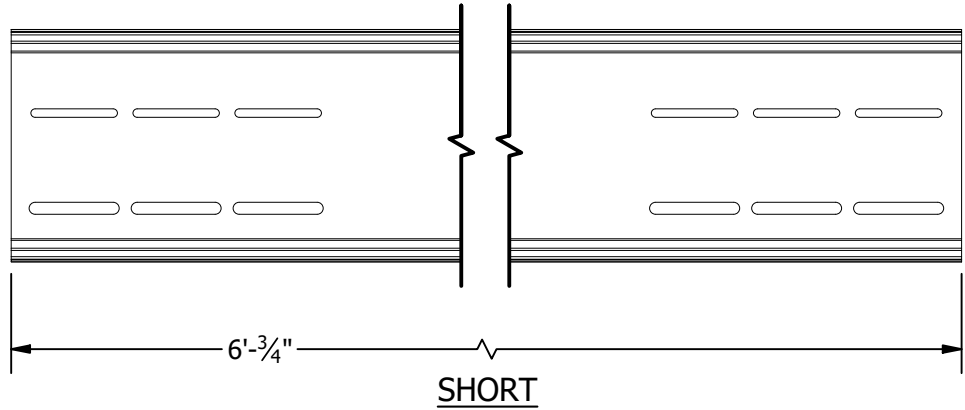
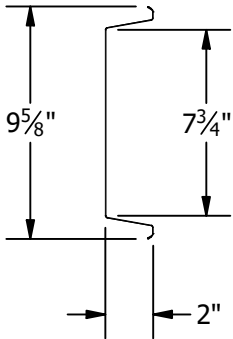
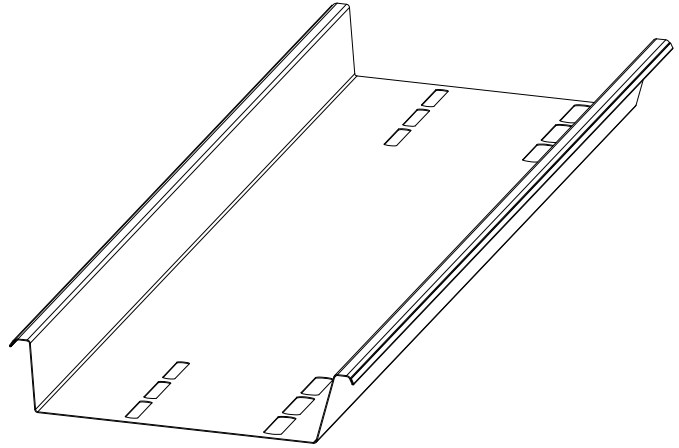


PART # TABLE	
P/N	DESCRIPTION
360071	SHORT BALLAST TRAY 62" - 69"
360081	LONG BALLAST TRAY 77" - 83"



1411 BROADWAY BLVD. NE
 ALBUQUERQUE, NM 87102 USA
 PHONE: 505.242.6411
 WWW.UNIRAC.COM

PRODUCT LINE:	GRIDFLEX
DRAWING TYPE:	PART
DESCRIPTION:	BALLAST TRAYS
REVISION DATE:	9/15/2021

DRAWING NOT TO SCALE
 ALL DIMENSIONS ARE
 NOMINAL

PRODUCT PROTECTED BY
 ONE OR MORE US PATENTS
 LEGAL NOTICE

GF-P02
 SHEET