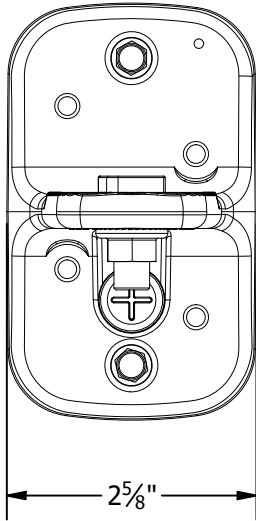


PART TABLE

P/N	DESCRIPTION
004275M	FLASHLOC DUO MILL, 20 PACK
004275D	FLASHLOC DUO DARK, 20 PACK

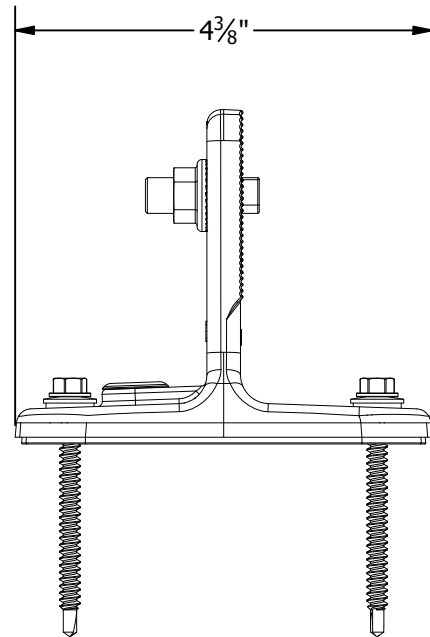
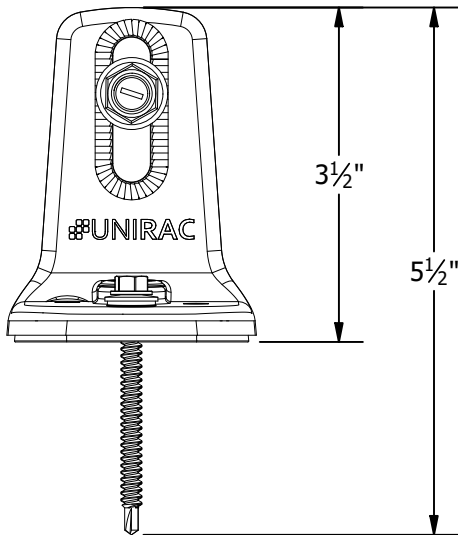
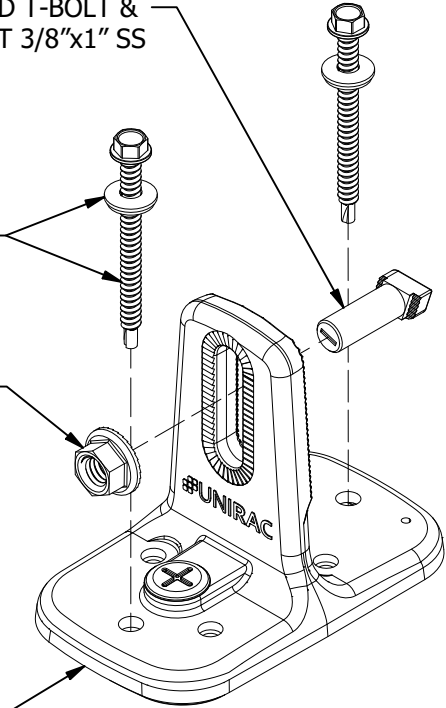


#12-14 SCREW, HWH, SS, SELF-DR
W/ #12 EPDM WASHER

BND T-BOLT &
NUT 3/8"x1" SS

SS SERRATED
FLANGE NUT

FLASHLOC DTD
MILL OR DARK



1411 BROADWAY BLVD. NE
ALBUQUERQUE, NM 87102 USA
PHONE: 505.242.6411
WWW.UNIRAC.COM

PRODUCT LINE:	SOLARMOUNT
DRAWING TYPE:	ASSEMBLY DETAIL
DESCRIPTION:	FLASHLOC DUO KIT
REVISION DATE:	4/29/2021

DRAWING NOT TO SCALE
ALL DIMENSIONS ARE
NOMINAL

PRODUCT PROTECTED BY
ONE OR MORE US PATENTS
LEGAL NOTICE

FL-A04

SHEET