



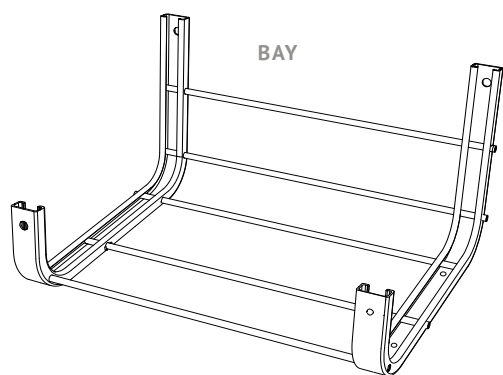
RM ROOF MOUNT

Quick Start Guide



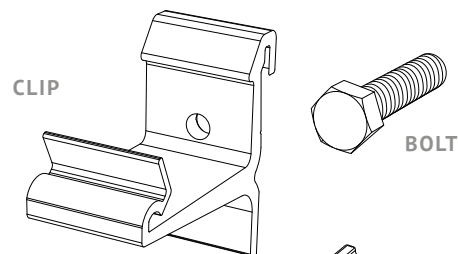
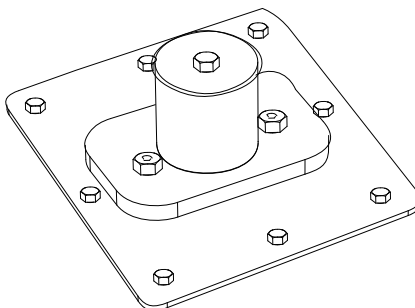
Quick Start Guide

STANDARD PARTS AND HARDWARE



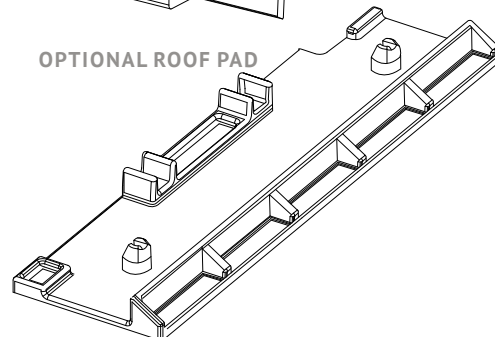
BAY

OPTIONAL MECHANICAL ATTACHMENT



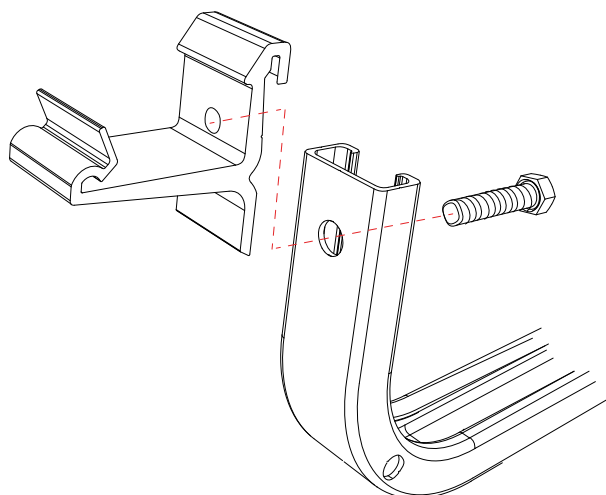
CLIP

BOLT



OPTIONAL ROOF PAD

ATTACH CLIPS LOOSELY TO BAY POSTS INTENDED TO HOLD MODULES



NOTE:

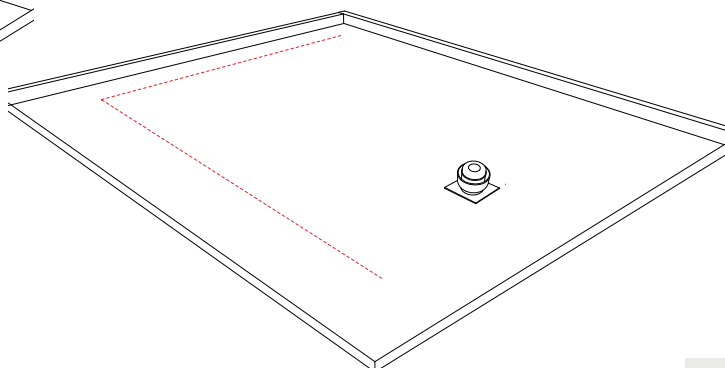
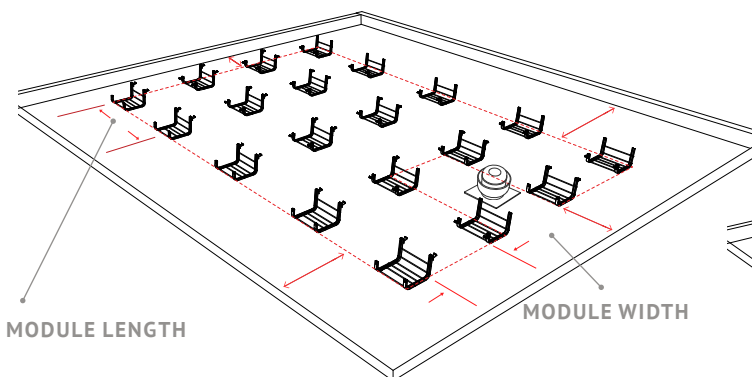
For complete electrical bonding path, clips must be tapped in place with hammer.



RM is certified to UL2703 for electrical bonding.

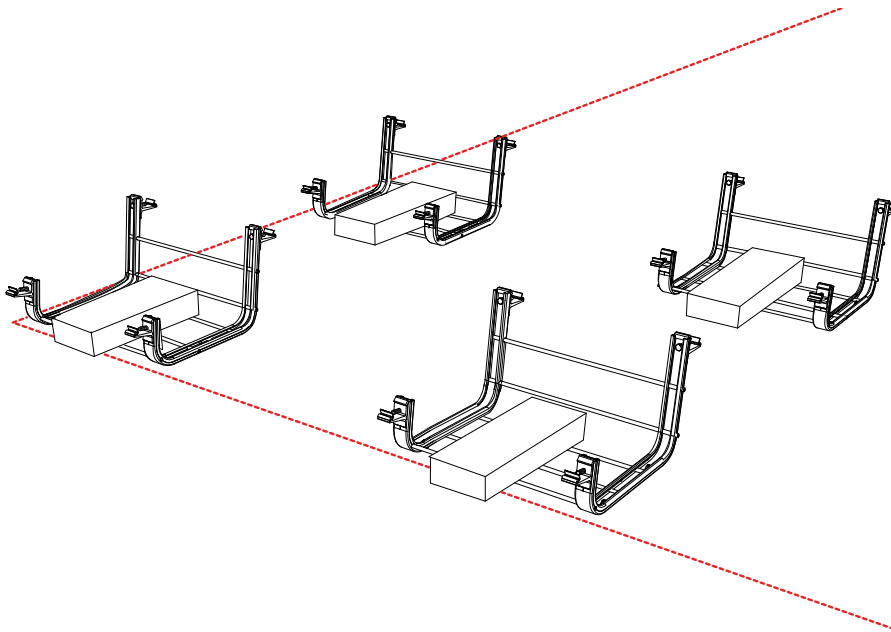
LOCATE ARRAY ON ROOF

MARK ROOF WHERE ARRAY WILL START

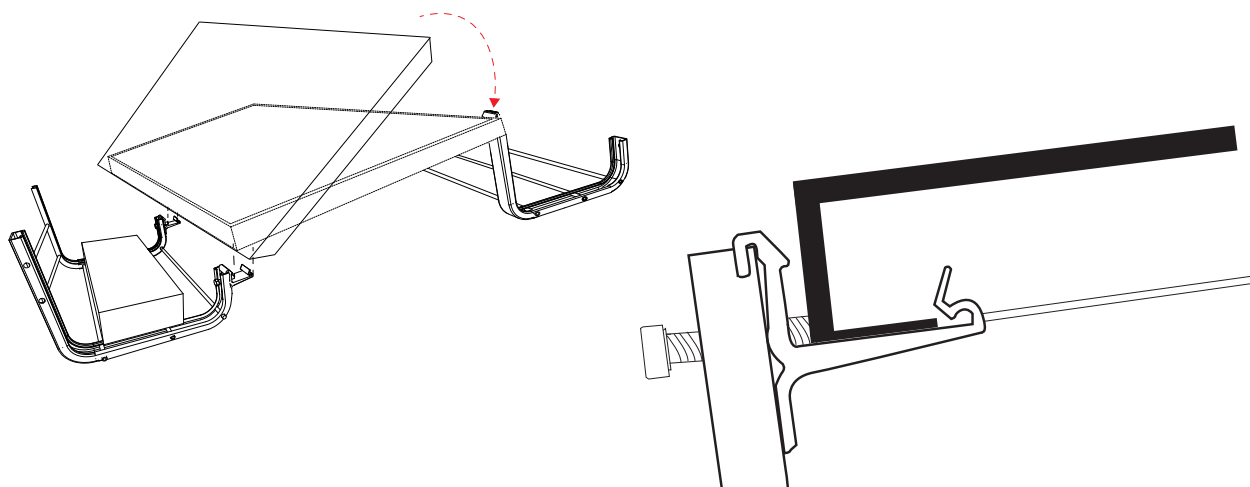


Quick Start Guide

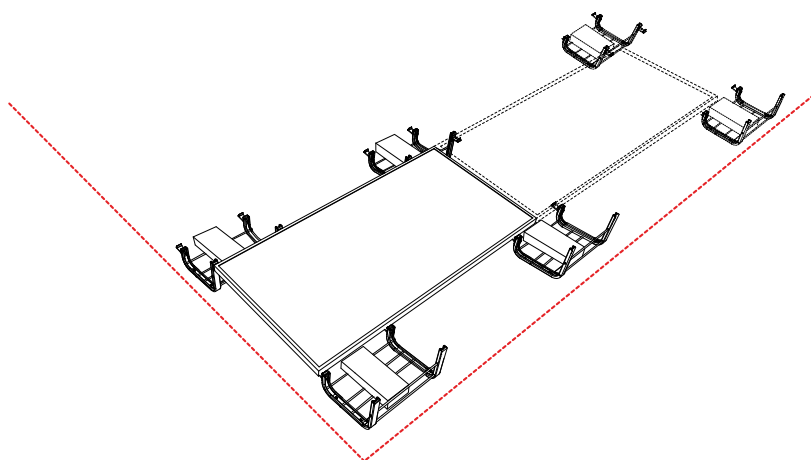
PLACE SOME BALLAST IN 1ST FOUR BAYS FOR FIRST MODULE

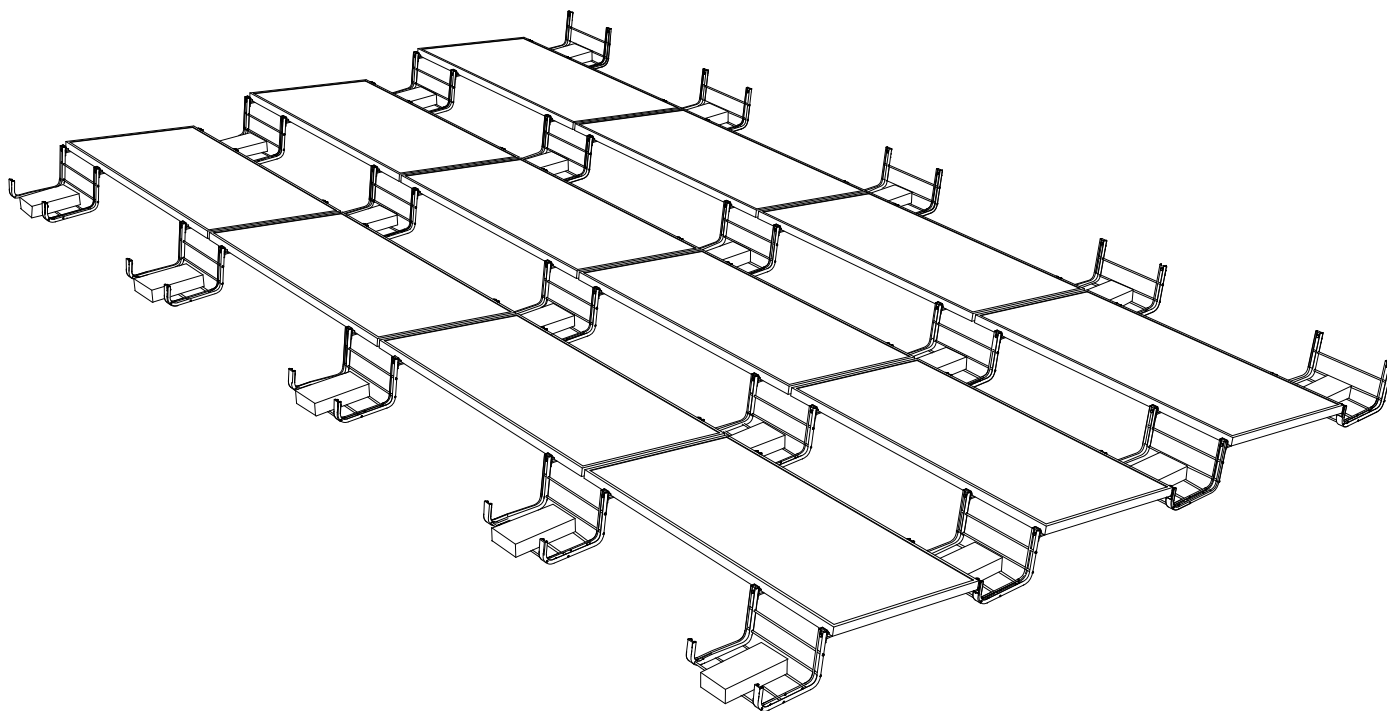


PLACE MODULE IN CLIPS AND TIGHTEN BOLTS

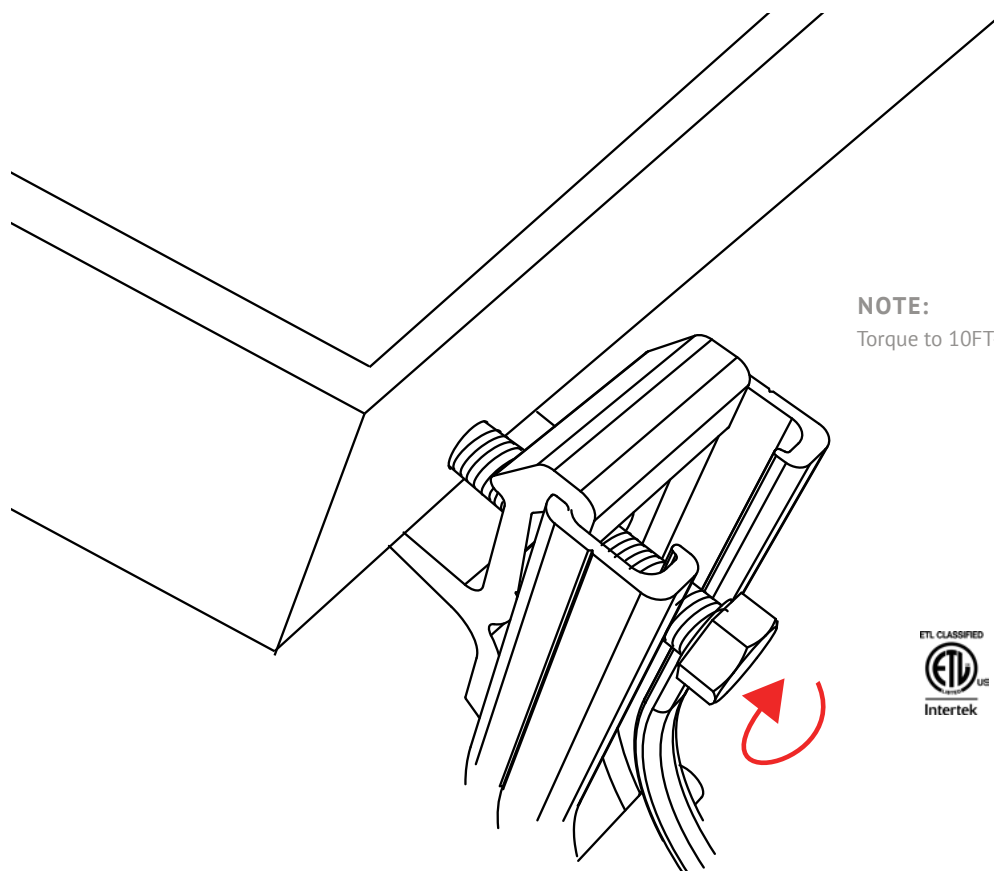


PLACE ANOTHER MODULE IN NEXT BAY CLIPS





TORQUE CLIP BOLTS IN SEQUENCE



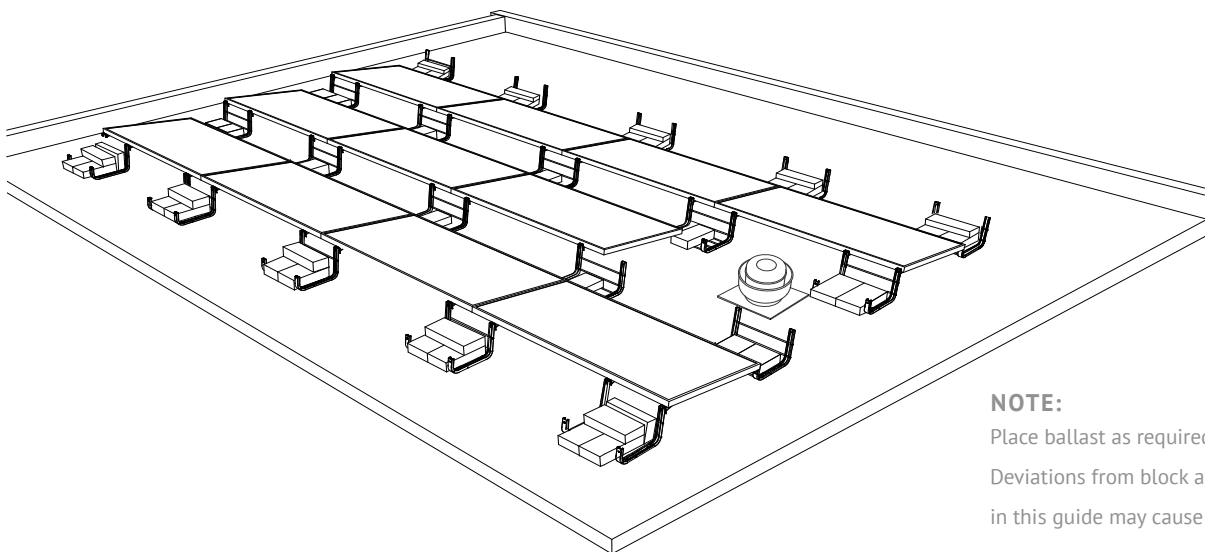
NOTE:
Torque to 10FT-LBS



RM is certified to UL2703 for electrical bonding.

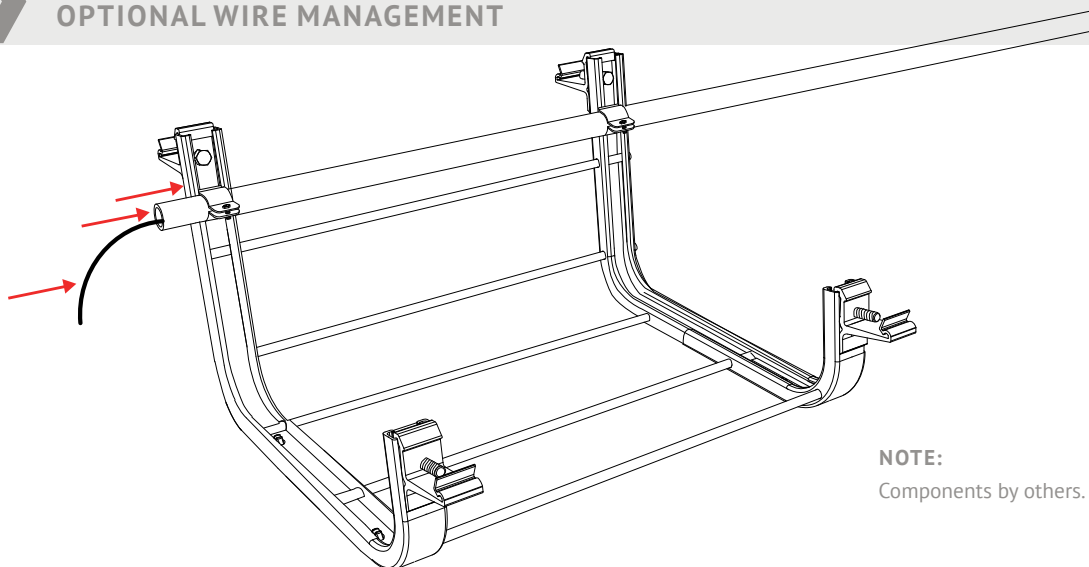
Quick Start Guide

COMPLETE BALLAST PLACEMENT



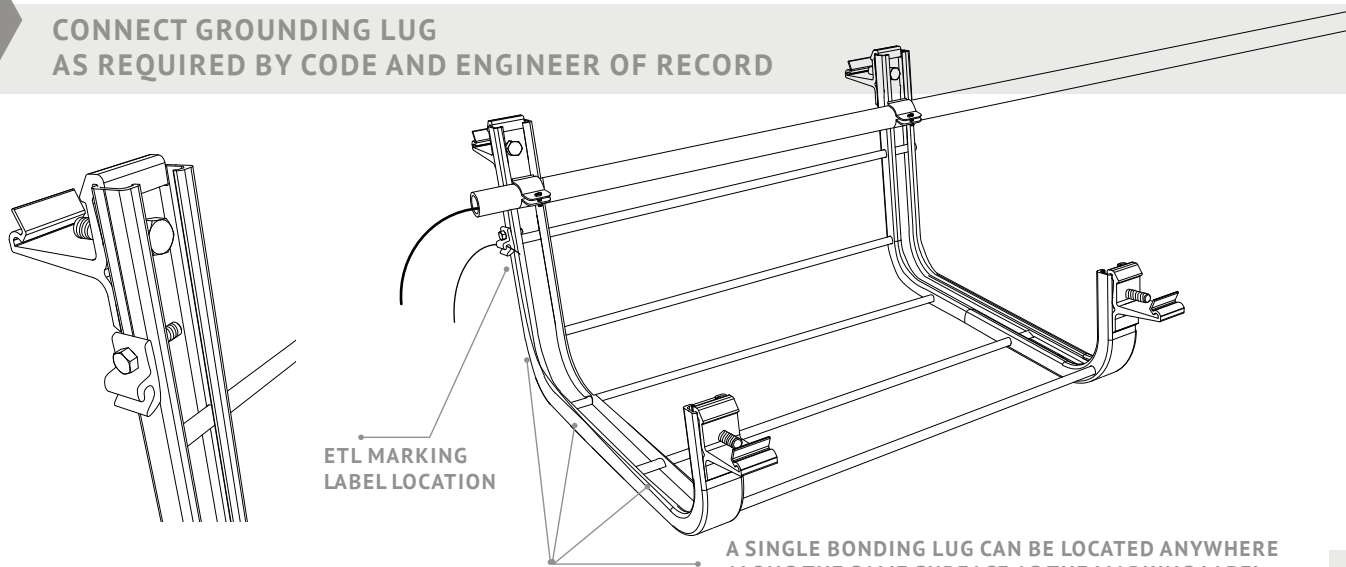
NOTE:
Place ballast as required.
Deviations from block arrangements shown
in this guide may cause shading

OPTIONAL WIRE MANAGEMENT



NOTE:
Components by others.

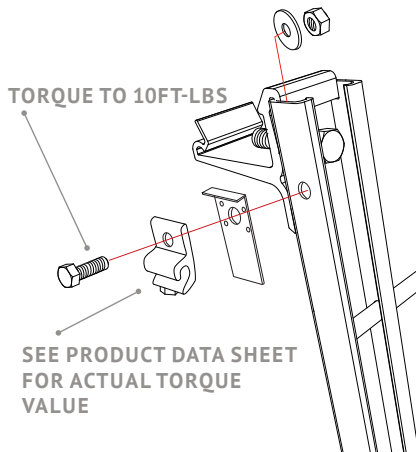
CONNECT GROUNDING LUG AS REQUIRED BY CODE AND ENGINEER OF RECORD



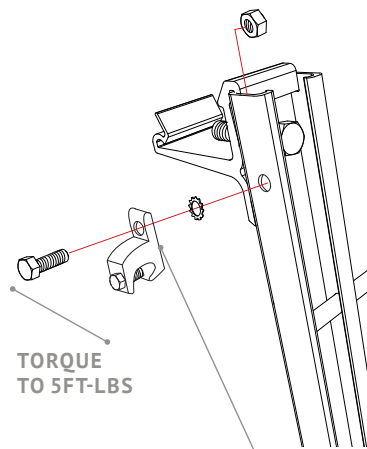
Quick Start Guide

GROUNDING LUG DETAIL

WEEBLug UNIRAC PN 0080025
Conductor: See product data sheet



IlSCO lay-in Lug IlSCO PN GBL-4DBT
Conductor: See product data sheet



Grounding Lug Mounting Details:

Details are provided for both the WEEB and IlSCO

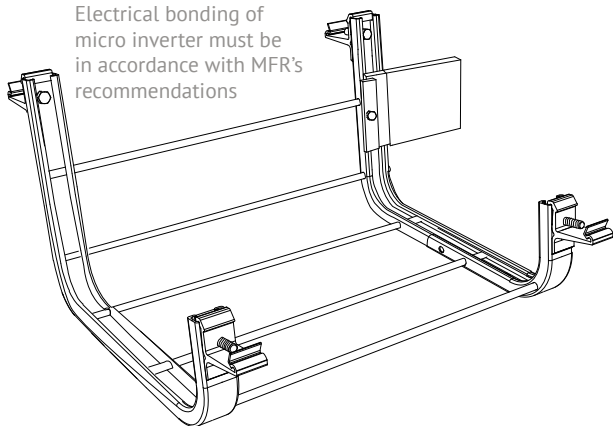
products. The WEEBLug has a grounding symbol located on the lug assembly. The IlSCO lug has a green colored set screw for grounding indication purposes. One lug is recommended per string. Installation must be in accordance with NFPA NEC 70, however the electrical designer of record should refer to the latest revision of NEC for actual grounding conductor cable size.

Ground Lug	Bolt size	Drill size
WEEBLug	1/4"-20	17/64"
IlSCO	#10-32	7/32"

OPTIONAL MICRO-INVERTER MOUNTING

NOTE:

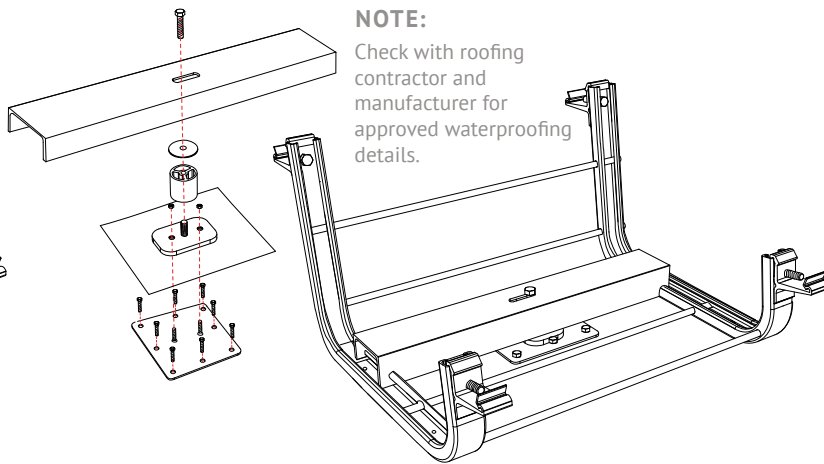
Electrical bonding of micro inverter must be in accordance with MFR's recommendations



OPTIONAL MECHANICAL ATTACHMENT

NOTE:

Check with roofing contractor and manufacturer for approved waterproofing details.



OPTIONAL ROOF PAD

