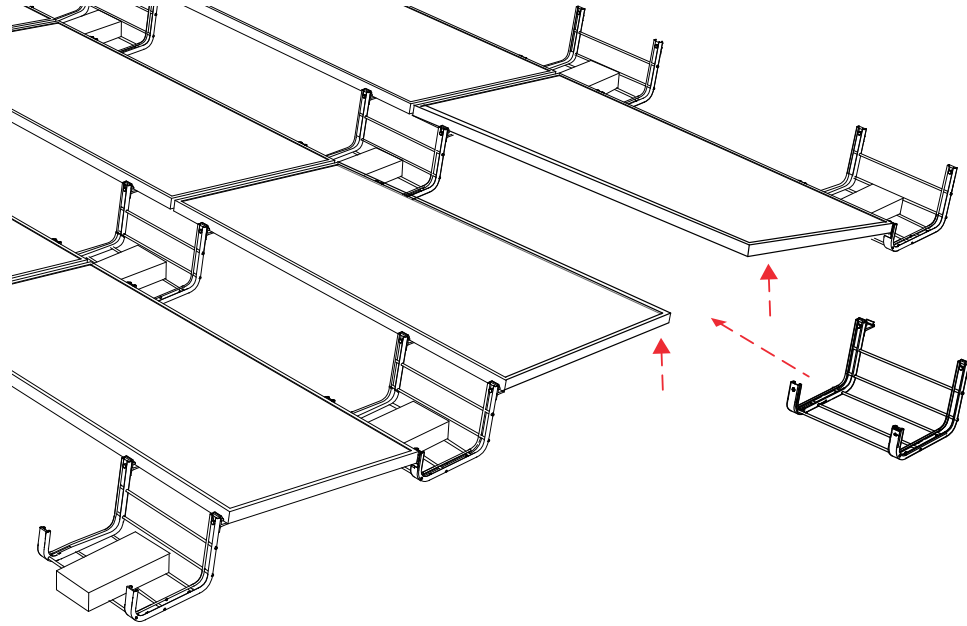


MANUALS

- MANAGING THE PROJECT
- QUICK START GUIDE (OVERALL INSTALLATION/ASSEMBLY STEPS)
- **FIELD ADJUSTMENTS (SOLVING PROBLEMS)**
- DESIGN/ENGINEERING GUIDE
- INSTALLATION INSPECTIONS & MAINTENANCE MANUAL

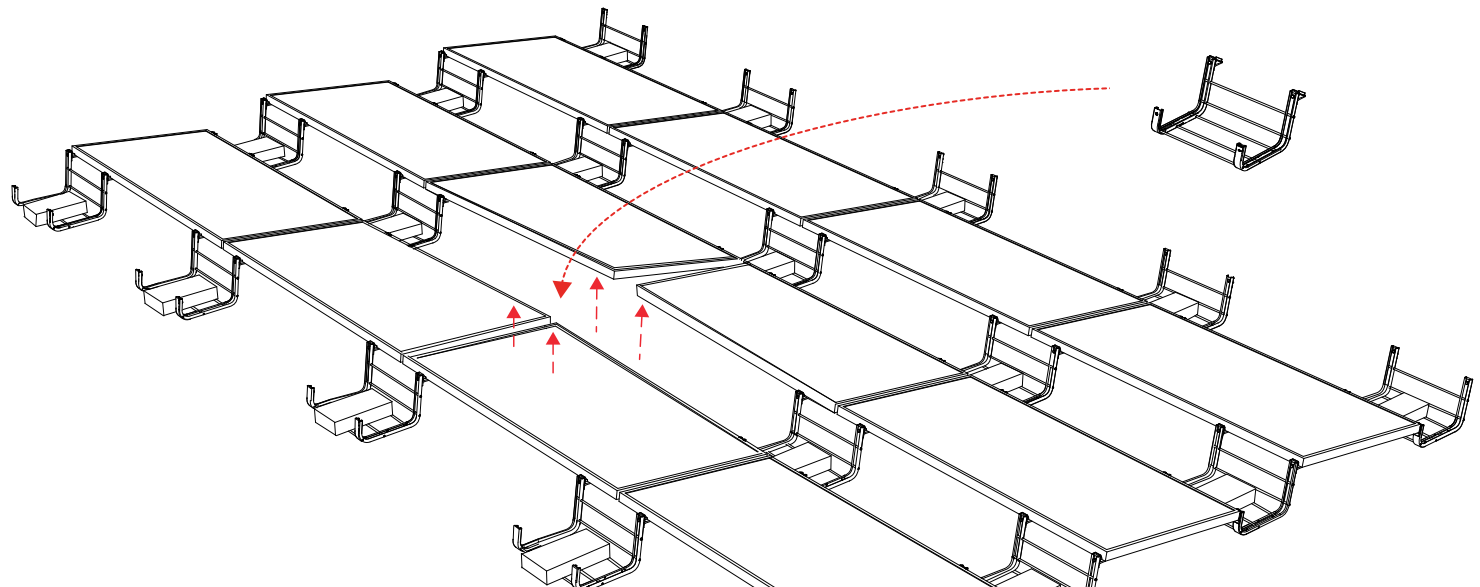
PROBLEM:
ADDING BAYS AFTER INSTALLATION COMPLETED:

EXTERIOR BAY -



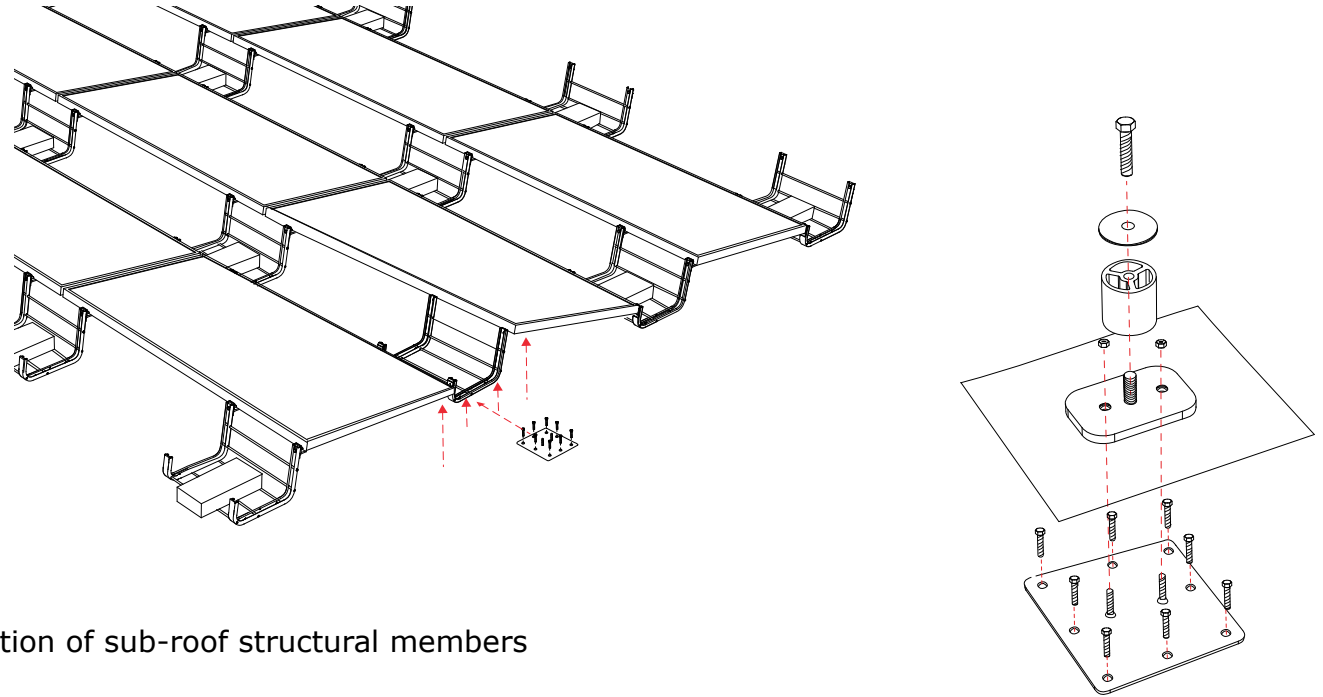
Apply gentle, even uplift on the two adjoining module frames, and slide bay into place.

INTERIOR BAY -

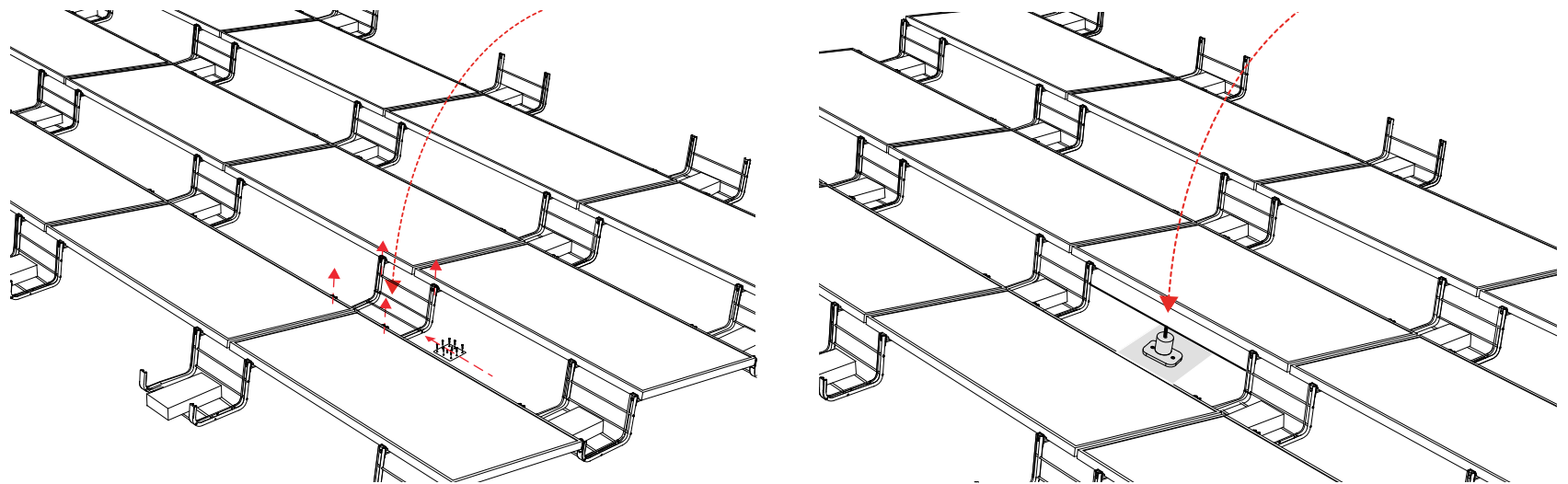


PROBLEM:**ADDING MECHANICAL ATTACHMENTS AFTER INSTALLATION COMPLETED:**

EXTERIOR COLUMN/ROWS -



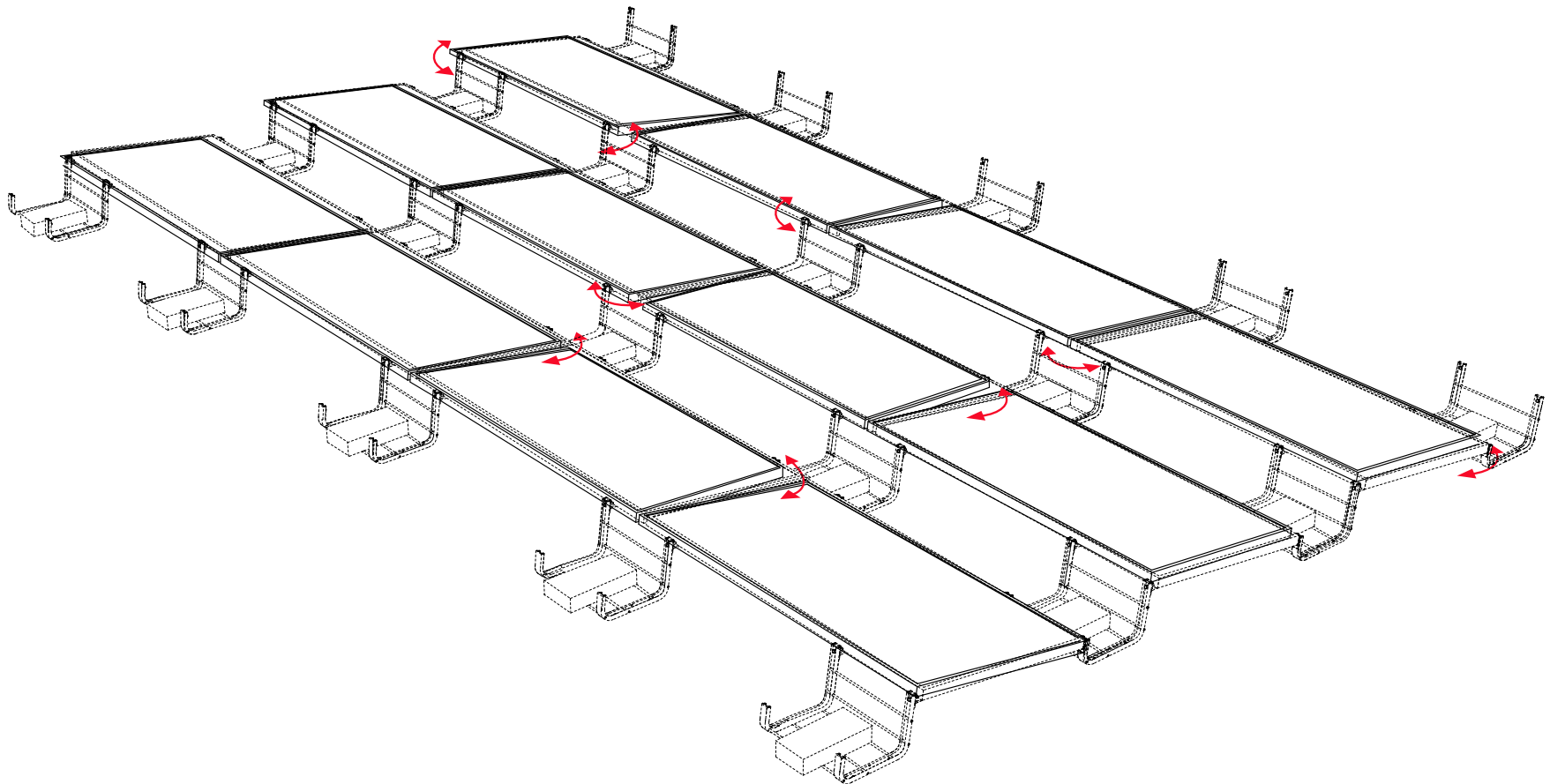
INTERIOR - Depending on location of sub-roof structural members



Note:
Peel'n'stick type flashing not recommended for this.
Remove ballast from the bay, and possibly surrounding bays.

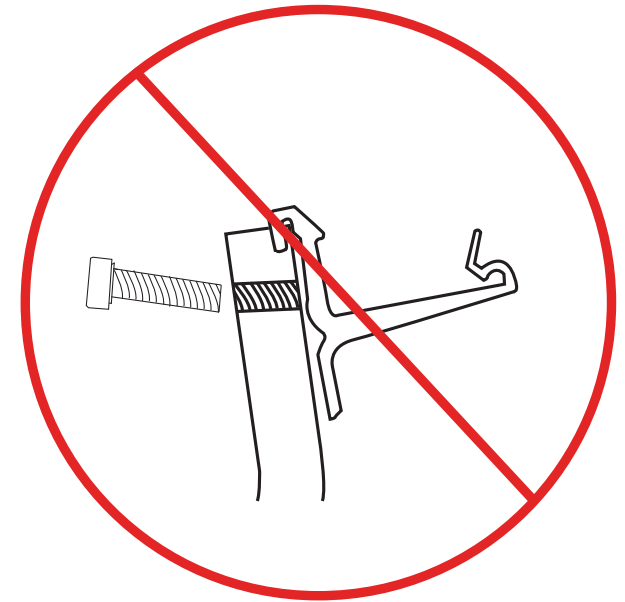
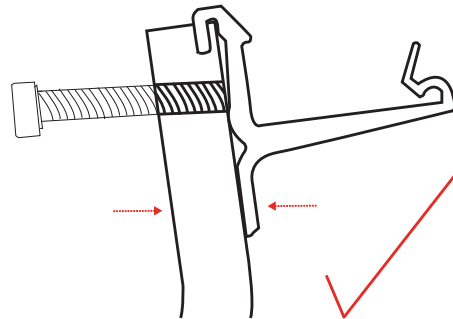
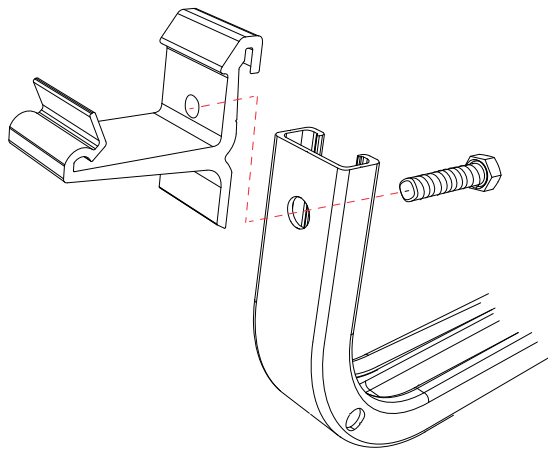
PROBLEM:
ARRAY BUCKLES, OR HAS INCONSISTENT OR UN-PARALLEL
GAPS BETWEEN MODULES

- Loosen neighboring clips and re-adjust.
- Note:
Sequentially tightening from installation outset can prevent this.



PROBLEM: CLIP BOLT CROSS-THREADS

- Back bolt out and replace clip, or use thread cleaning tool. One can also use hammer-drill to power bolt on through damaged threads.
- Note:
Starting bolts with fingers instead of a power driver can minimize or eliminate cross-threading.
- Note:
When using power driver, hold it perpendicular to clip, and squeeze bottom of clip flat against bay post.



PROBLEM:**MODULE CLIP THREADED HOLE AND BAY POST HOLE NOT LINED UP:**

- Tight fit between these parts is critical for electrical bonding. Lining up holes may require assistance of a hammer or similar device.

