

M8-1.25 Flange Nut

Stainless Steel Universal PV Stud

RibBracket I

S-5-PV Kit EdgeGrab

0.40" x 1.25" Slotted Hole

UL and ETL Listed Stainless Steel Mounting Disc

HPM Custom 6-Rib

RibBracket I

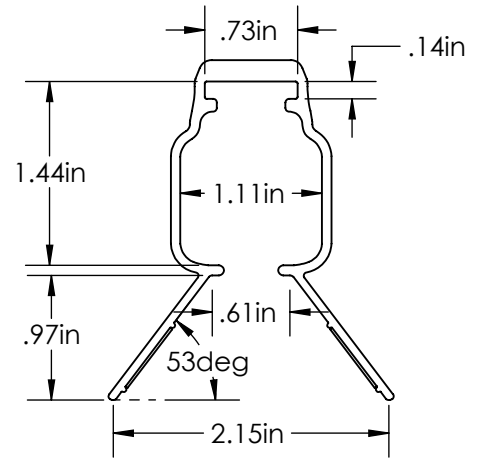
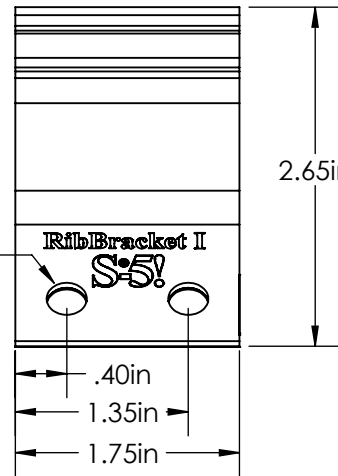
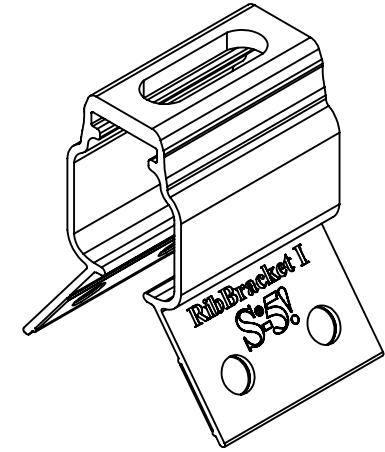
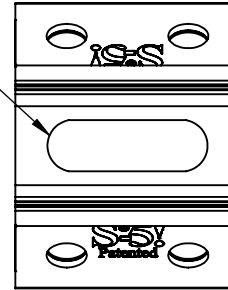
RibBracket I
S-5
Patented

(4x) \varnothing .31in

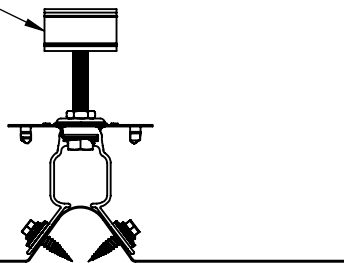
(4x) 1/4" Diameter 1" Length
5/16" Hex Screw

S-5-PV Kit MidGrab


HPM Custom 6-Rib



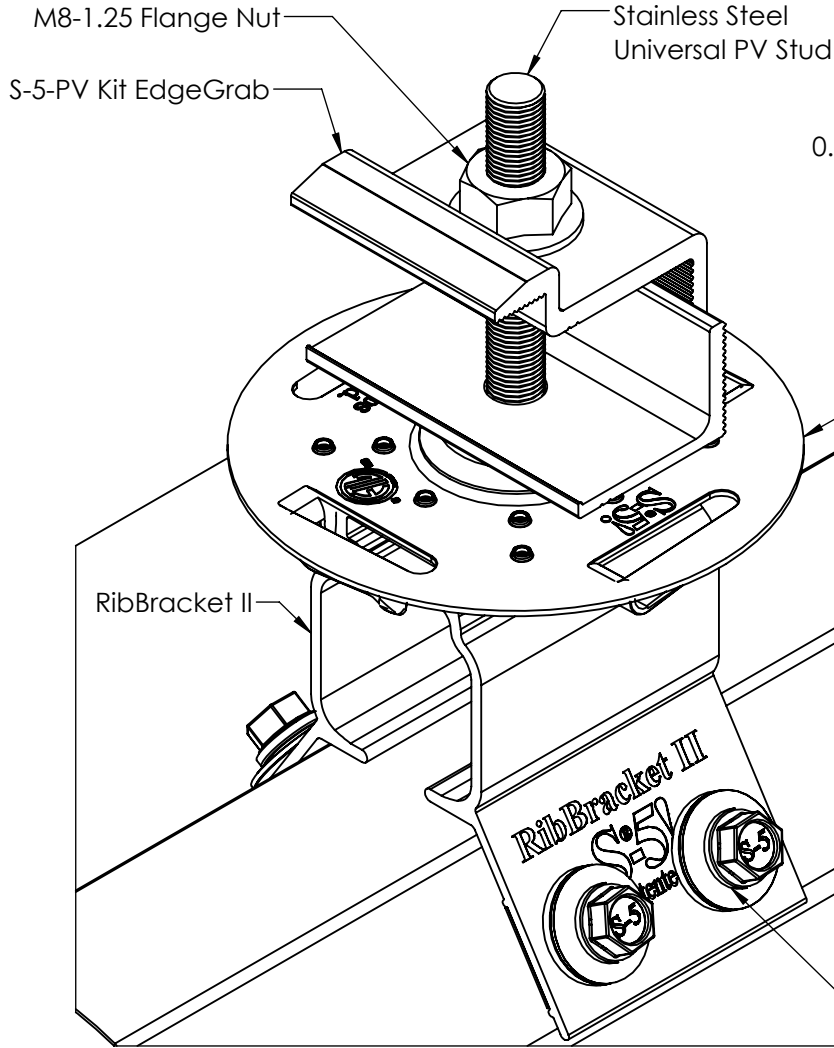
Designed to fit popular Hawaiian profiles such as HPM Custom 4-Rib, HPM Custom 6-Rib, and other similarly dimensioned profiles.



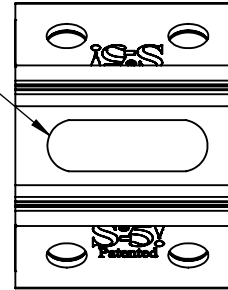
FOR STANDING SEAM SPECIFIC MECHANICAL LOAD TEST INFORMATION AND CLAMP INSTALLATION INFORMATION PLEASE VISIT: WWW.S-5.COM

MATERIAL: 6005A T61			METAL ROOF INNOVATIONS, LTD. 8655 TABLE BUTTE RD COLORADO SPRINGS, CO 80908 719-495-0518 719-495-0045(FAX)	
EST ASSEMBLY WEIGHT 0.176 lbs				
SUPPLIED HARDWARE: M8-1.25 Flange Nut (4x) 1/4"-1" Stainless Steel Self-Tapping Screw with 5/16" Hex Head	TITLE RibBracket I [CCD]			
SCALE: 1:1	DRAWING NO. HI-A-0-A	DRAWN BY Paul Leitch	DATE 3/28/2017	
WEIGHTS: Bracket: 0.0890 lbs Screw: 0.0180 lbs Nut: 0.0145 lbs	S-5® PRODUCTS ARE PROTECTED BY MULTIPLE U.S. PATENTS INCLUDING 5,228,248, 5,983,588 AND 6,164,033 (OTHERS ISSUED AND PENDING). EUROPEAN PATENTS ARE ALSO APPLIED FOR AND PENDING UNDER THE PATENT COOPERATION TREATY WITH DIVISIONAL FILING RIGHTS RETAINED. METAL ROOF INNOVATIONS, LTD. (LICENSOR OF S-5® TECHNOLOGY) AGGRESSIVELY PROSECUTES PATENT INFRINGEMENT.			

RibBracket II

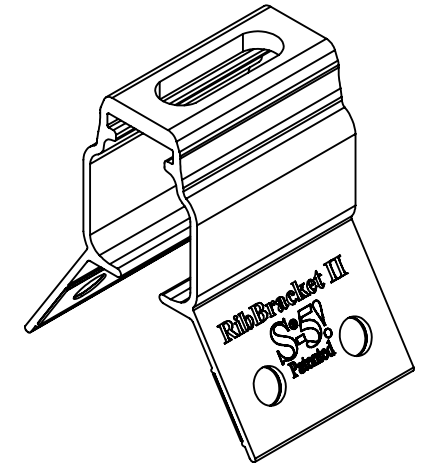


0.40" x 1.25" Slotted Hole

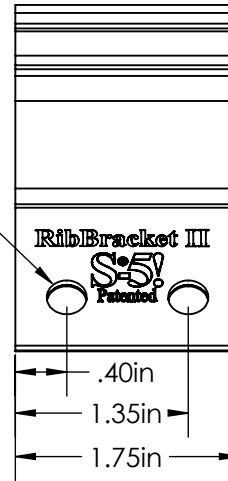


UL and ETL Listed
Stainless Steel Mounting Disc

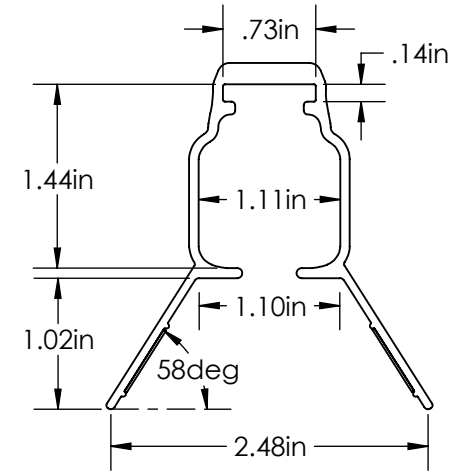
Lysaght Trimdek



(4x) \varnothing .31in



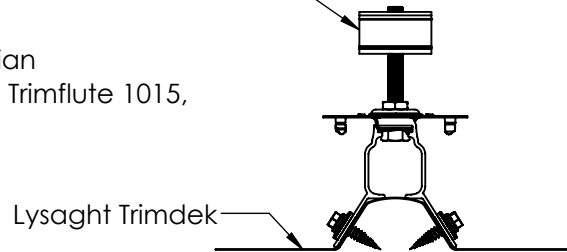
2.70in




(4x) 1/4" Diameter 1" Length
5/16" Hex Screw

S-5-PV Kit MidGrab

Designed to fit popular African and Australasian profiles such as Lysaght Trimdek 1015, Safintra Trimflute 1015, and other similarly dimensioned profiles.



FOR STANDING SEAM SPECIFIC MECHANICAL LOAD TEST INFORMATION AND CLAMP INSTALLATION INFORMATION PLEASE VISIT: WWW.S-5.COM

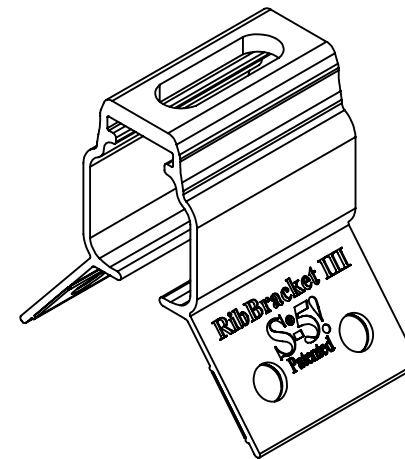
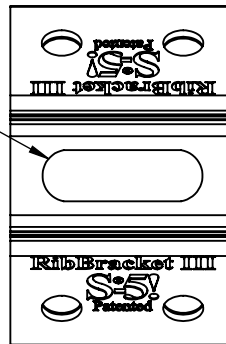
MATERIAL: 6005A T61	 METAL ROOF INNOVATIONS, LTD. 8655 TABLE BUTTE RD COLORADO SPRINGS, CO 80908 719-495-0518 719-495-0045(FAX)		
EST ASSEMBLY WEIGHT 0.179 lbs			
SUPPLIED HARDWARE: M8-1.25 Flange Nut (4x) 1/4"-1" Stainless Steel Self-Tapping Screw with 5/16" Hex Head	TITLE RibBracket II [CCD]		
SCALE: 1:1	DRAWING NO. LTD-A-0-A	DRAWN BY Paul Leitch	DATE 3/28/2017
WEIGHTS: Bracket: 0.0920 lbs Screw: 0.0180 lbs Nut: 0.0145 lbs	<small>S-5!® PRODUCTS ARE PROTECTED BY MULTIPLE U.S. PATENTS INCLUDING 5,228,248, 5,983,588 AND 6,164,033 (OTHERS ISSUED AND PENDING). EUROPEAN PATENTS ARE ALSO APPLIED FOR AND PENDING UNDER THE PATENT COOPERATION TREATY WITH DIVISIONAL FILING RIGHTS RETAINED. METAL ROOF INNOVATIONS, LTD. (LICENSOR OF S-5!® TECHNOLOGY) AGGRESSIVELY PROSECUTES PATENT INFRINGEMENT.</small>		

M8-1.25 Flange Nut
S-5-PV Kit EdgeGrab

Stainless Steel
Universal PV Stud

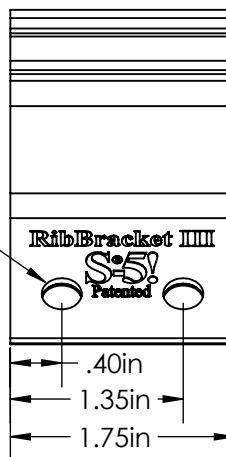
RibBracket III

0.40" x 1.25" Slotted Hole



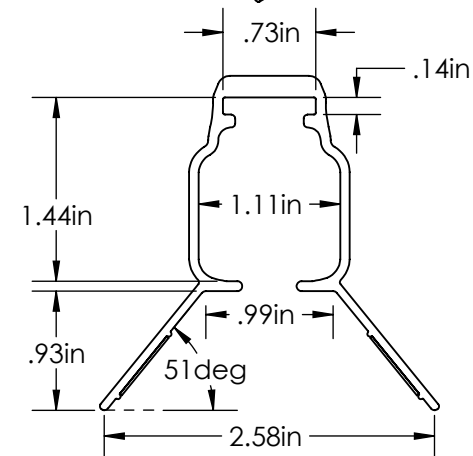
UL and ETL Listed
Stainless Steel Mounting Disc

PBR-Panel



(4x) Ø .31in

2.61in

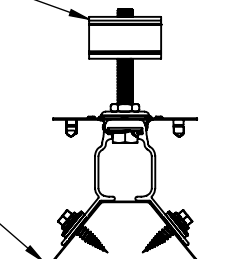


RibBracket III

(4x) 1/4" Diameter 1" Length
5/16" Hex Screw


S-5-PV Kit MidGrab

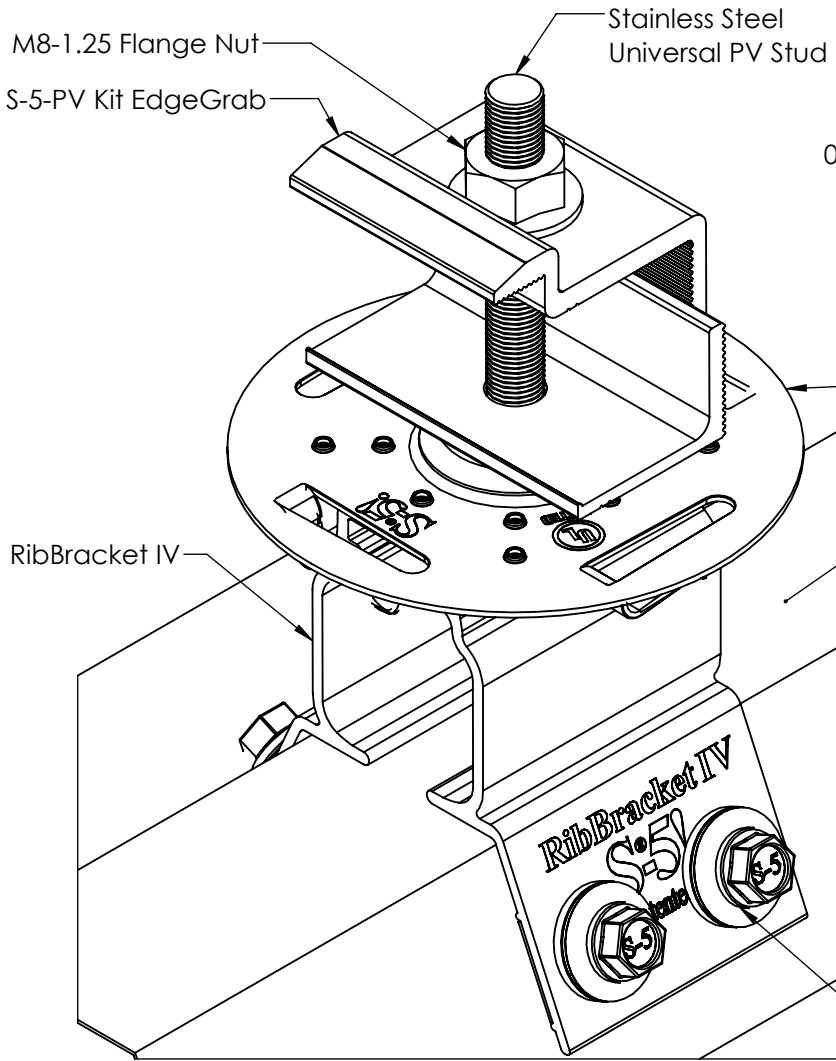
Designed to fit popular North American and Indian profiles such as PBR-Panel, R-Panel, Kirby Roof (KR), and other similarly dimensioned profiles.



PBR-Panel

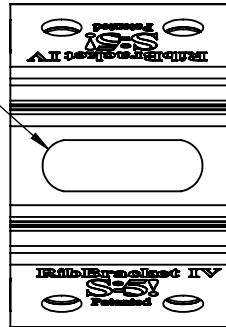
FOR STANDING SEAM SPECIFIC MECHANICAL LOAD TEST INFORMATION AND CLAMP INSTALLATION INFORMATION PLEASE VISIT: WWW.S-5.COM

MATERIAL: 6005A T61				METAL ROOF INNOVATIONS, LTD. 8655 TABLE BUTTE RD COLORADO SPRINGS, CO 80908 719-495-0518 719-495-0045(FAX)		
EST ASSEMBLY WEIGHT 0.180 lbs						
SUPPLIED HARDWARE: M8-1.25 Flange Nut (4x) 1/4" 1" Stainless Steel Self-Tapping Screw with 5/16" Hex Head	TITLE RibBracket III [CCD]					
SCALE: 1:1	DRAWING NO. PBR-A-0-A	DRAWN BY Paul Leitch	DATE 3/28/2017			
WEIGHTS: Bracket: 0.0935 lbs Screw: 0.0180 lbs Nut: 0.0145 lbs	S-5!® PRODUCTS ARE PROTECTED BY MULTIPLE U.S. PATENTS INCLUDING 5,228,248, 5,983,588 AND 6,164,033 (OTHERS ISSUED AND PENDING). EUROPEAN PATENTS ARE ALSO APPLIED FOR AND PENDING UNDER THE PATENT COOPERATION TREATY WITH DIVISIONAL FILING RIGHTS RETAINED. METAL ROOF INNOVATIONS, LTD. (LICENSOR OF S-5!® TECHNOLOGY) AGGRESSIVELY PROSECUTES PATENT INFRINGEMENT.					



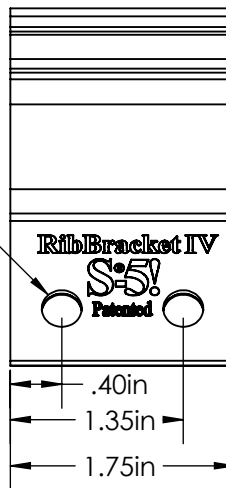
RibBracket IV

0.40" x 1.25" Slotted Hole



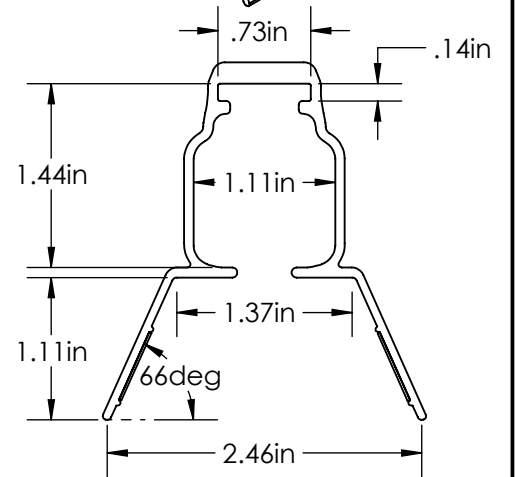
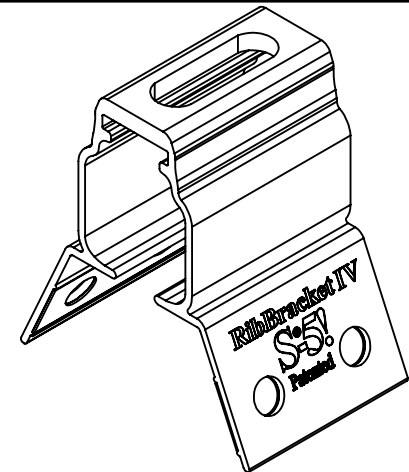
UL and ETL Listed
Stainless Steel Mounting Disc

Safintra Tufdek IBR



(4x) \varnothing .31in

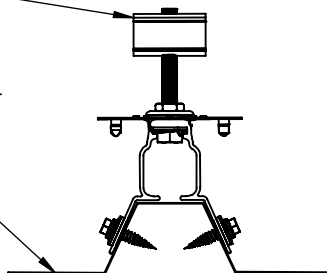
(4x) 1/4" Diameter 1" Length
5/16" Hex Screw




Designed to fit popular African and North American profiles such as Safintra Tufdek IBR, KingSpan KS1000, and other similarly dimensioned profiles.

S-5-PV Kit MidGrab

Safintra Tufdek IBR



FOR STANDING SEAM SPECIFIC MECHANICAL LOAD TEST INFORMATION AND CLAMP INSTALLATION INFORMATION PLEASE VISIT: WWW.S-5.COM

MATERIAL: 6005A T61				METAL ROOF INNOVATIONS, LTD. 8655 TABLE BUTTE RD COLORADO SPRINGS, CO 80908 719-495-0518 719-495-0045(FAX)		
EST ASSEMBLY WEIGHT 0.185 lbs						
SUPPLIED HARDWARE: M8-1.25 Flange Nut (4x) 1/4"-1" Stainless Steel Self-Tapping Screw with 5/16" Hex Head	TITLE RibBracket IV [CCD]					
SCALE: 1:1	DRAWING NO. IBR-A-0-A	DRAWN BY Paul Leitch	DATE 3/28/2017			
WEIGHTS: Bracket: 0.0985 lbs Screw: 0.0180 lbs Nut: 0.0145 lbs	S-5® PRODUCTS ARE PROTECTED BY MULTIPLE U.S. PATENTS INCLUDING 5,228,248, 5,983,588 AND 6,164,033 (OTHERS ISSUED AND PENDING). EUROPEAN PATENTS ARE ALSO APPLIED FOR AND PENDING UNDER THE PATENT COOPERATION TREATY WITH DIVISIONAL FILING RIGHTS RETAINED. METAL ROOF INNOVATIONS, LTD. (LICENSOR OF S-5® TECHNOLOGY) AGGRESSIVELY PROSECUTES PATENT INFRINGEMENT.					