

DESCRIPTION

HEX. FLANGE HEAD LOCK BOLT

W/SERRATION 24T

LENGTH TOLERANCE

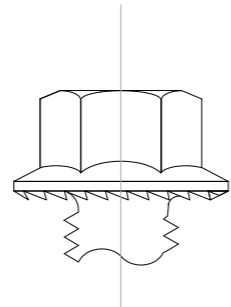
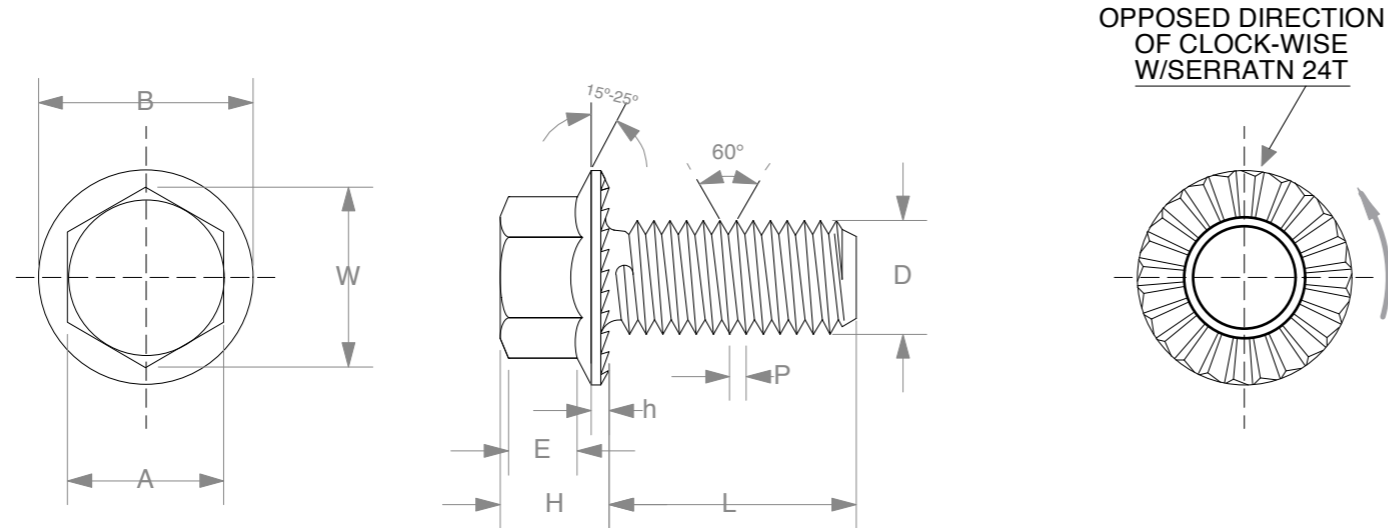
L :M8 - 1.25 X 15.32 +/- 0.38mm

L :M10 - 1.5 X 15.32 +/- 0.38mm

MATERIAL

304 SERIES STAINLESS (18-8)

OR A2-70 (18-8)



DETAILS	HEAD DIA.	HEAD HI	E	h	W	WASHER DIA.			MAJOR DIA.	PTICH	WIRE
SIZE	A	H	min.	min.	min.	B			D	P	
M8	12.75 13.00	7.85 8.35	3.20	1.50	14.28	19.00 20.00			7.79 7.96	1.25	7.07 -0.02
M10	15.73 16.00	8.95 9.45	4.60	1.50	17.62	22.00 23.00			9.77 9.96	1.50	8.91 -0.02

FINISH:

CUT LENGTH:

ALLOY:

EST. AREA:

EST. WT/FT:

S-5! ATTACHMENT SOLUTIONS
METAL ROOF INNOVATIONS, LTD.
8655 TABLE BUTTE ROAD
COLORADO SPRINGS, CO 80908
(888) 825-3432
(719) 495-0045 (FAX)

S-5!TM

Unprecedented Innovation
Unmatched Quality
Unbelievable Price

TITLE

HEX. FLANGE HEAD LOCK BOLT

DRAWING NO.

FLG_HD_BLTS

DRAWN BY

DMMH

DATE

7/27/2009

SCALE

FILE NAME