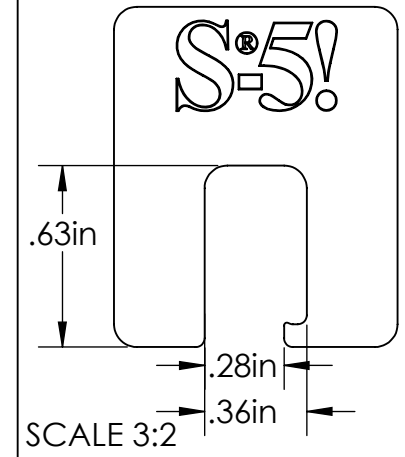
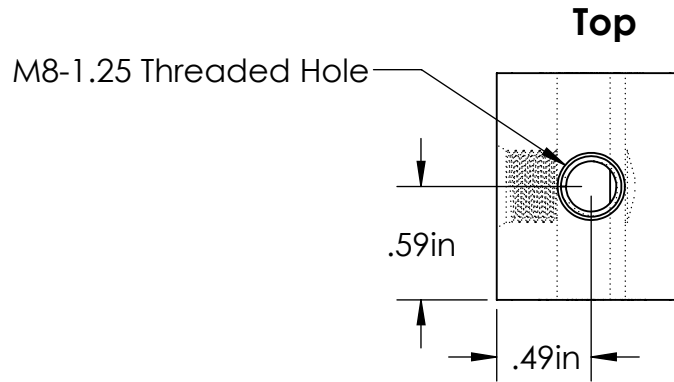
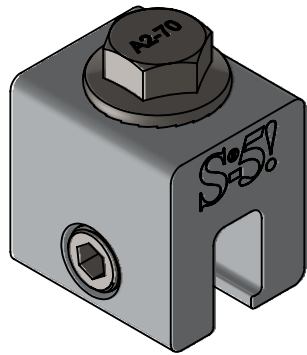
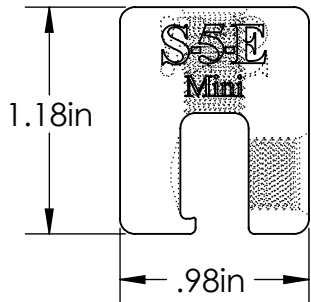


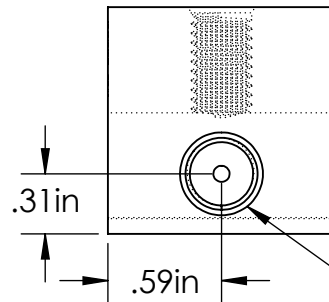
# S-5-E Mini



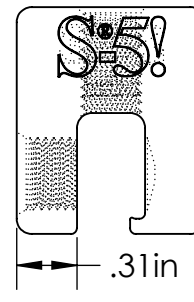
Back



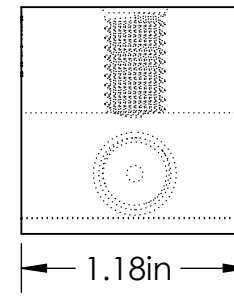
Left



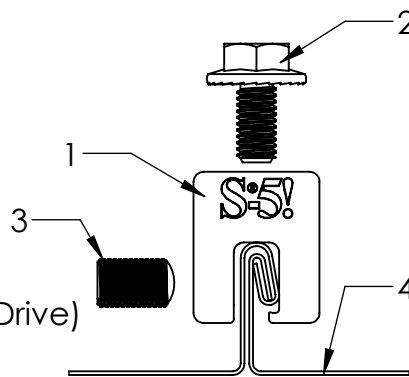
Front



Right



3/8-24 Threaded Hole



**General Notes:**

1. S-5-E Mini Clamp
2. M8-1.25 Stainless Steel Hex Flange Bolt (13mm Socket)
3. 3/8-24 Stainless Steel Round Point Setscrew (3/16 Hex Drive)
4. Example roof

**FOR STANDING SEAM SPECIFIC MECHANICAL LOAD TEST INFORMATION AND CLAMP INSTALLATION INFORMATION PLEASE VISIT: [WWW.S-5.COM](http://WWW.S-5.COM)**

MATERIAL: 6061 T6			METAL ROOF INNOVATIONS, LTD. 8655 TABLE BUTTE RD COLORADO SPRINGS, CO 80908 719-495-0518 719-495-0045(FAX)	
EST ASSEMBLY WEIGH 0.147 lbs			TITLE S-5-E Mini	
SUPPLIED HARDWARE: M8-1.25 x 16 mm Bolt 3/8-24 x .500" Setscrew	DRAWING NO. E03-B-1-D	DRAWN BY Kati Kadakas	DATE 10/12/2016	
SCALE: 1:1	EST. WEIGHT: Clamp: 0.102 lbs Setscrew: 0.0100 lbs Bolt: 0.0345 lbs			
S-5!® PRODUCTS ARE PROTECTED BY MULTIPLE U.S. AND FOREIGN PATENTS. VISIT OUR WEBSITE AT <a href="http://WWW.S-5.COM">WWW.S-5.COM</a> FOR COMPLETE INFORMATION ON PATENTS AND TRADEMARKS.				