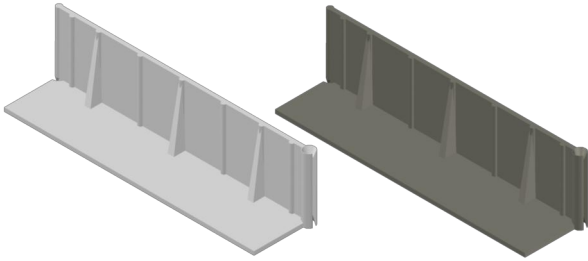


# E-CURB System

The *E-CURB* penetration pieces consist of the following sizes and colors:



## E-CURB Straights

8" straight sections used to lengthen the *E-CURB*.

F1356WH (White)

-Contains 16 straights per carton only.

F1356GR (Gray)

-Contains 16 straights per carton only.

## E-CURB Corners

2" corner pieces used with straight sections to make box shapes.

F1355WH (White)

-Contains 16 Corners per carton only.

F1355GR (Gray)

-Contains 16 Corners per carton only.



## E-CURB Diameter Rounds

3" diameter round consisting of (2) 1.5" radius pcs.

F1331 (Gray only complete 1-Part™ & M-1® kit)

-Contains 10 complete curbs per carton only.

F1333 (Gray components only)

-Contains 24 curbs only per carton.

4" diameter round consisting of (2) 2" radius pcs.

F1354WH or F1354GR (complete 1-Part™ & M-1® kit)

-Contains 4 complete curbs per carton only.

F1357WH or F1357GR (components only)

-Contains 12 curbs only per carton.

6" diameter round consisting of (2) 3" radius pcs.

F1350WH or F1350GR (complete 1-Part™ & M-1® kit)

-Contains 3 complete curbs per carton only.

F1352WH or F1352GR (components only)

-Contains 6 curbs only per carton.

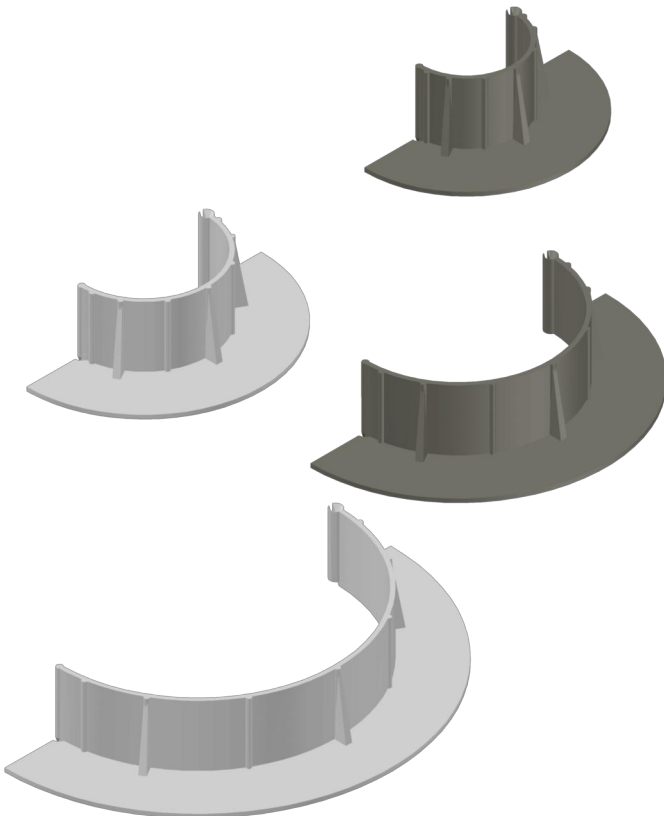
9" diameter round consisting of (2) 4.5" radius pcs.

F1351WH or F1351GR (complete 1-Part™ & M-1® kit)

-Contains 3 complete curbs per carton only.

F1353WH or F1353GR (components only)

-Contains 5 curbs only per carton.



# HOW TO CALCULATE E-CURB VOLUMES

Note: These figures represent volume of sealant needed for various sizes of curb combinations **without displacement for penetrations.** (To estimate exact volume needed, also figure volume of penetrations and subtract from volume of curbs.)

**To figure volume of a square curb: Multiply length x width x depth, (2") x (quantity of curbs needed) the divide by 231 (in<sup>3</sup> in a gal.) to get the number of gallons needed to fill the curb.**

**Note:**

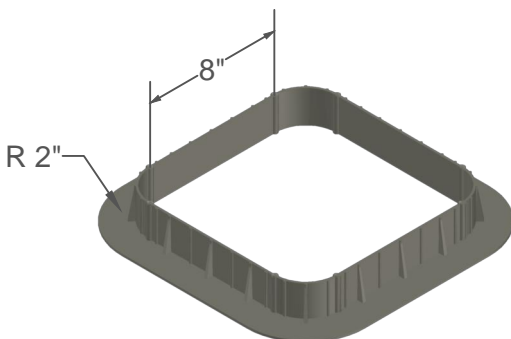
- One gal. pourable sealer = 231 in<sup>3</sup>
- One ½ gal. pouch = 115.5 in<sup>3</sup>
- One 28 oz cartridge = 50 in<sup>3</sup>
- One 10.1 oz cartridge = 4.18 in<sup>3</sup>

**Always figure 2" depth of E-Curbs. Less invalidates warranty. A corner curb adds two inches to a straight curb on each end.**

**Examples:**

**Four 8" Straights + Four 2" Corners**

Form a square 12" x 12" x 2" deep.  
 Multiply 12" x 12" x 2" = 288 in<sup>3</sup>  
 Divide 288 in<sup>3</sup> by 231 = 1.25 gal



**3" round Curb + two 8" Straights**

Form an oval 11" x 3" x 2" deep.  
 Multiply 11" x 3" x 2" = 66 in<sup>3</sup>  
 Divide 66 in<sup>3</sup> by 231 = 0.30 gal

**4" round Curb + two 8" Straights**

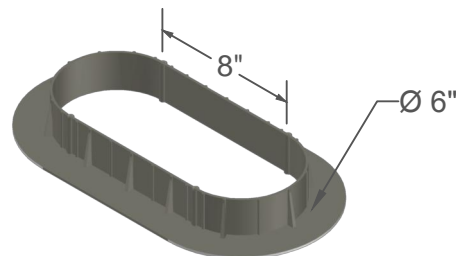
Form an oval 12" x 4" x 2" deep.  
 Multiply 12" x 4" x 2" = 96 in<sup>3</sup>  
 Divide 96 in<sup>3</sup> by 231 = 0.42 gal

**6" round Curb + two 8" Straights**

Form an oval 14" x 6" x 2" deep.  
 Multiply 14" x 6" x 2" = 168 in<sup>3</sup>  
 Divide 168 in<sup>3</sup> by 231 = 0.73 gal

**9" round Curb + two 8" Straights**

Form an oval 17" x 9" x 2" deep.  
 Multiply 17" x 9" x 2" = 306 in<sup>3</sup>  
 Divide 306 in<sup>3</sup> by 231 = 1.32 gal



**To figure volume of a round curb: multiply (radius squared x 3.14 x depth) x (quantity of curbs needed) then divide by 231 (in<sup>3</sup>/gal) to get the number of gallons needed to fill the curb.**

**3" round Curb**

Form a diameter 3" x 2" deep.  
 Multiply 1.5" squared x 3.14 x 2" = 14.13 in<sup>3</sup>  
 Divide 14.13 in<sup>3</sup> by 231 = 0.06 gal

**4" round Curb**

Form a diameter 4" x 2" deep.  
 Multiply 2" squared x 3.14 x 2" = 25.12 in<sup>3</sup>  
 Divide 25.12 in<sup>3</sup> by 231 = 0.11 gal

**6" round Curb**

Form a diameter 6" x 2" deep.  
 Multiply 3" squared x 3.14 x 2" = 57.52 in<sup>3</sup>  
 Divide 57.52 in<sup>3</sup> by 231 = 0.25 gal

**9" round Curb**

Form a diameter 9" x 2" deep.  
 Multiply 4.5" squared x 3.14 x 2" = 127.17 in<sup>3</sup>  
 Divide 127.17 in<sup>3</sup> by 231 = 0.55 gal



CONTACT INFORMATION:

Customer Service: 800.826.1681  
 www.ChemLink.com

Date: May 12, 2013

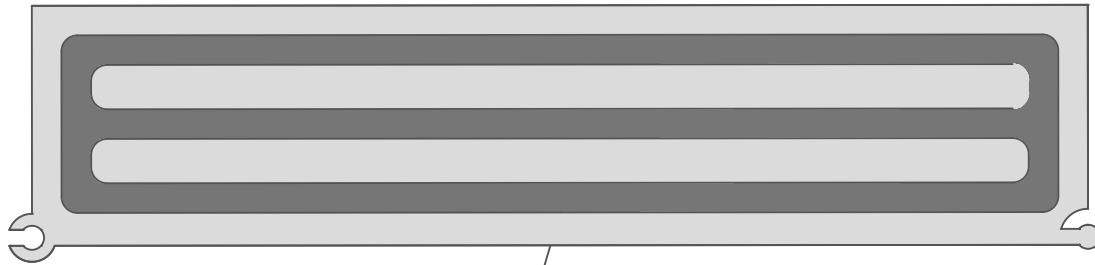
Title: E-CURBs

Sheet: 2 of 16

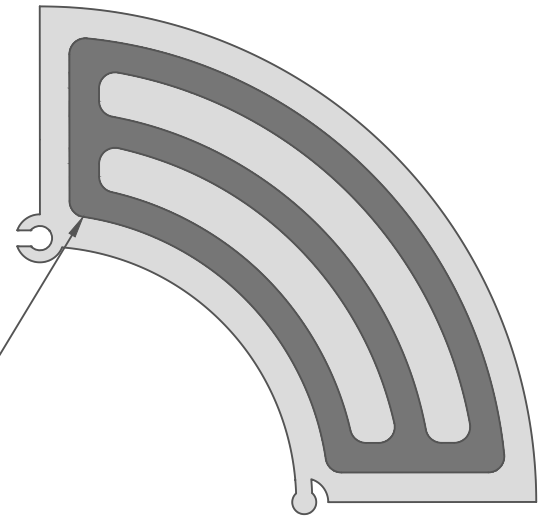
DRW #: CL-EC-01

Drawn by: Christian Appold

# M-1 APPLICATION TO THE BOTTOM OF THE E-CURB SECTIONS

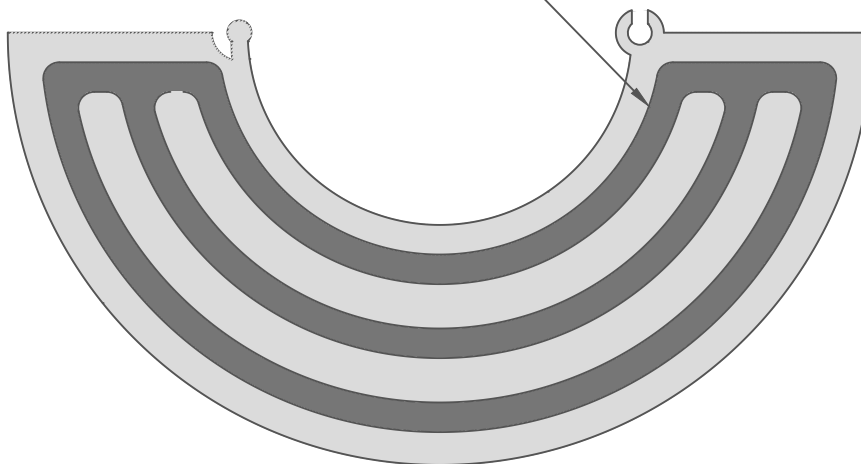


Apply  $\frac{1}{4}$ " diameter beads of M-1<sup>®</sup> as shown, to the bottom of each E-CURB section.  
**DO NOT TOOL THE M-1<sup>®</sup> BEADS SMOOTH!**

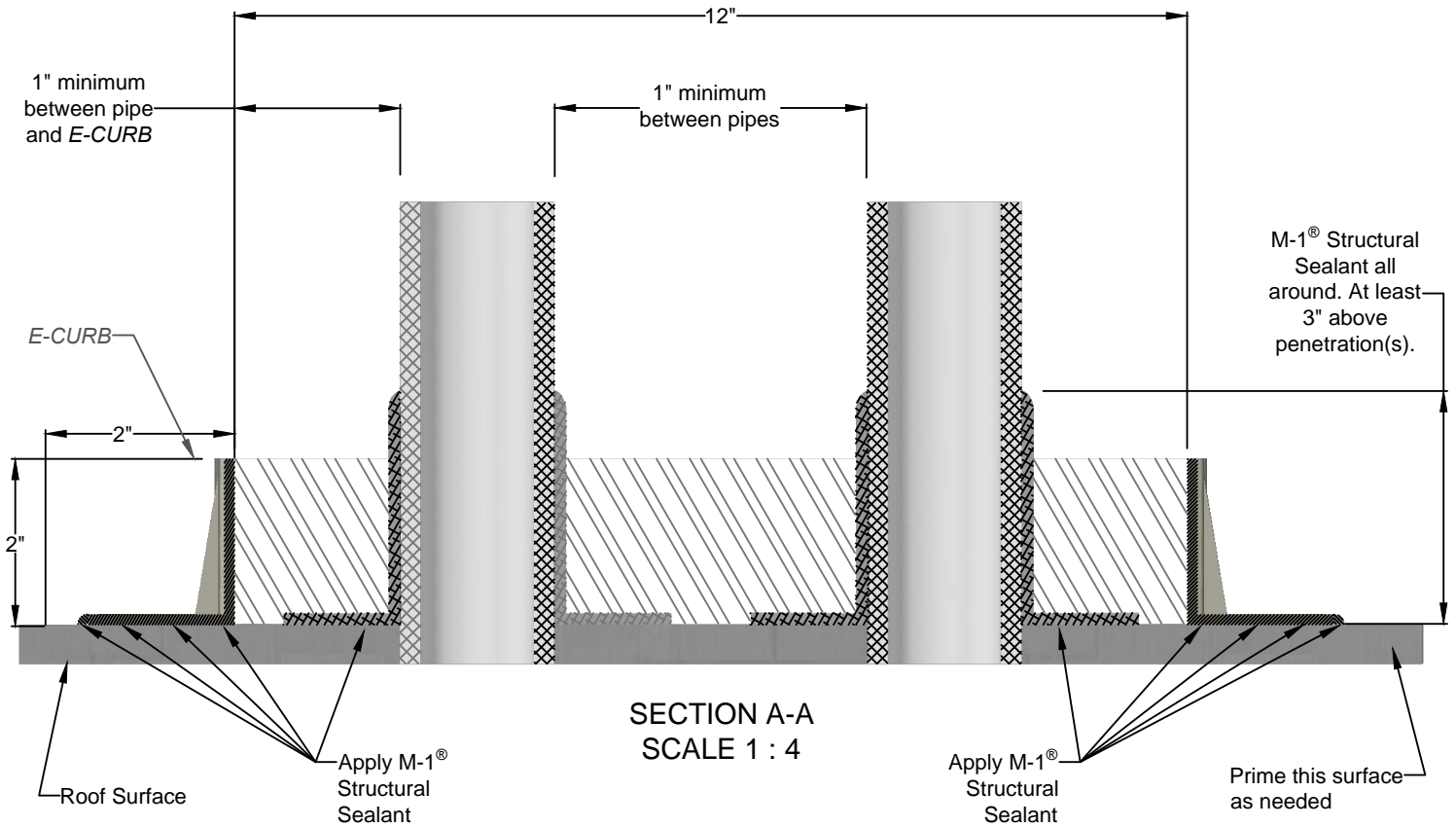
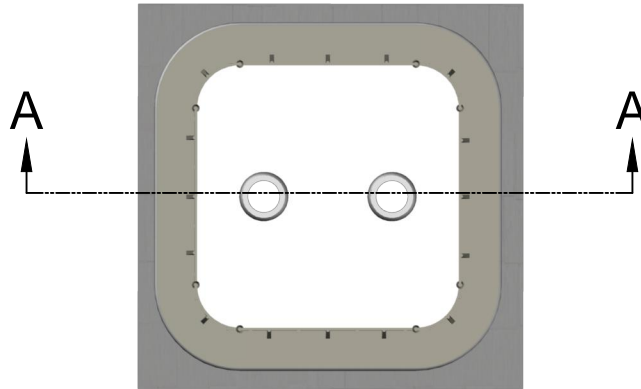


Apply  $\frac{1}{4}$ " diameter beads of M-1<sup>®</sup> as shown, to the bottom of each E-CURB section.  
**DO NOT TOOL THE M-1<sup>®</sup> BEADS SMOOTH!**

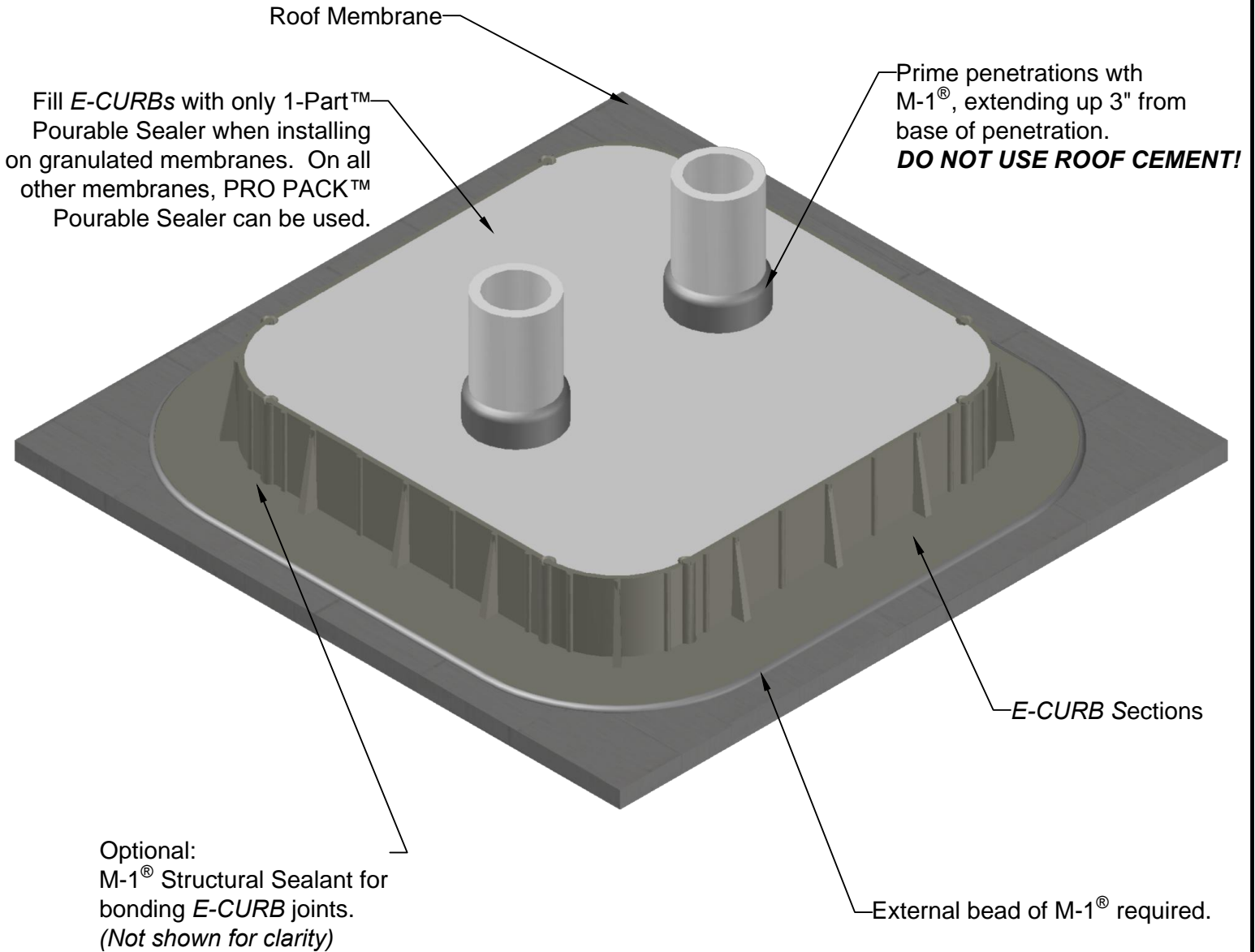
Apply  $\frac{1}{4}$ " diameter beads of M-1<sup>®</sup> as shown, to the bottom of each E-CURB section.  
**DO NOT TOOL THE M-1<sup>®</sup> BEADS SMOOTH!**



# SECTION VIEW



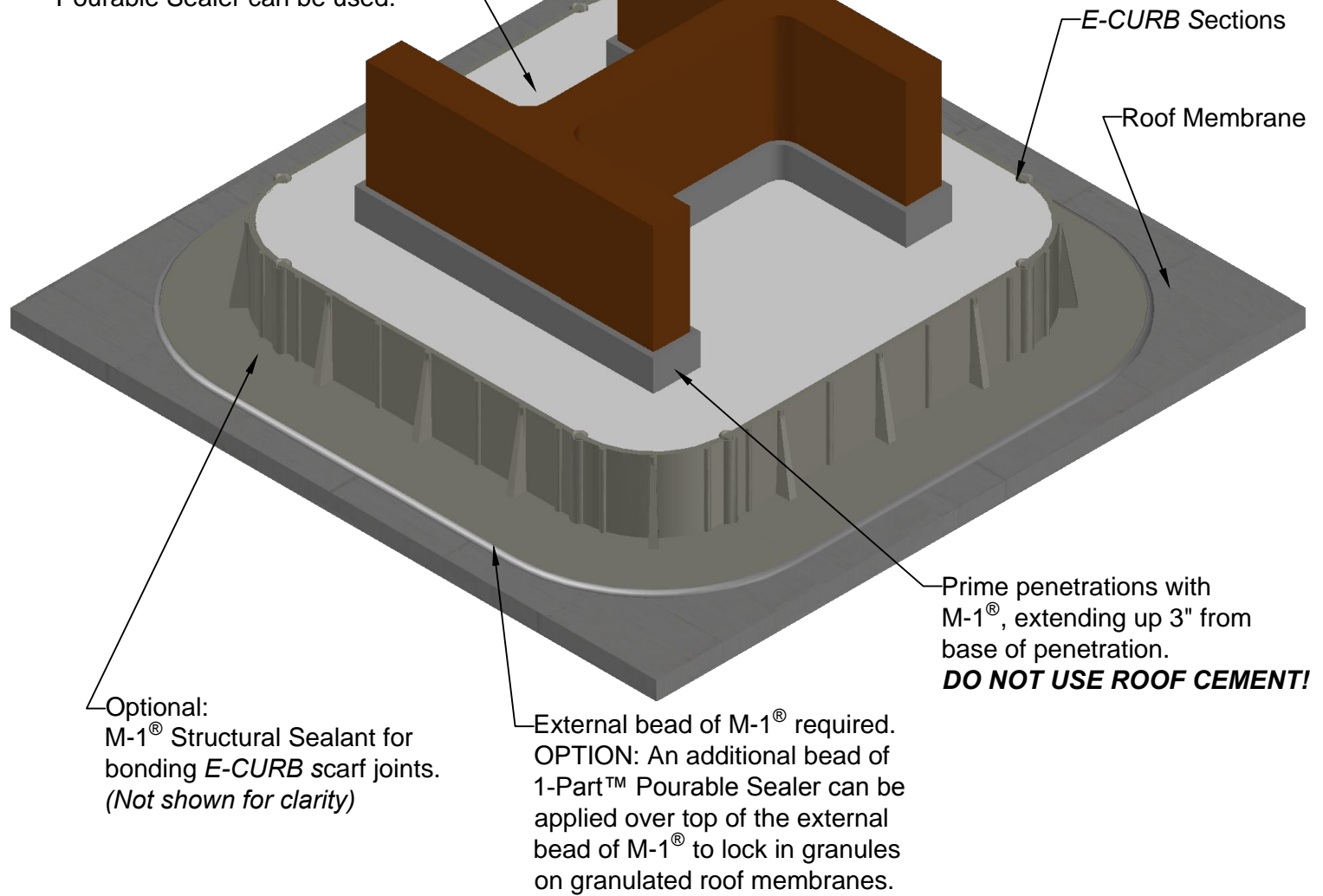
# STANDARD E-CURB DETAIL



***A minimum 1" space is required between all penetrations and the interior wall of all E-CURBs.***

# H - BEAM PENETRATION

Fill *E-CURBs* with only 1-Part™ Pourable Sealer when installing on granulated membranes. On all other membranes, PRO PACK™ Pourable Sealer can be used.



***A minimum 1" space is required between all penetrations and the interior wall of all E-CURBs.***



CONTACT INFORMATION:

Customer Service: 800.826.1681

[www.ChemLink.com](http://www.ChemLink.com)

Date: May 12, 2013

Title: E-CURBs

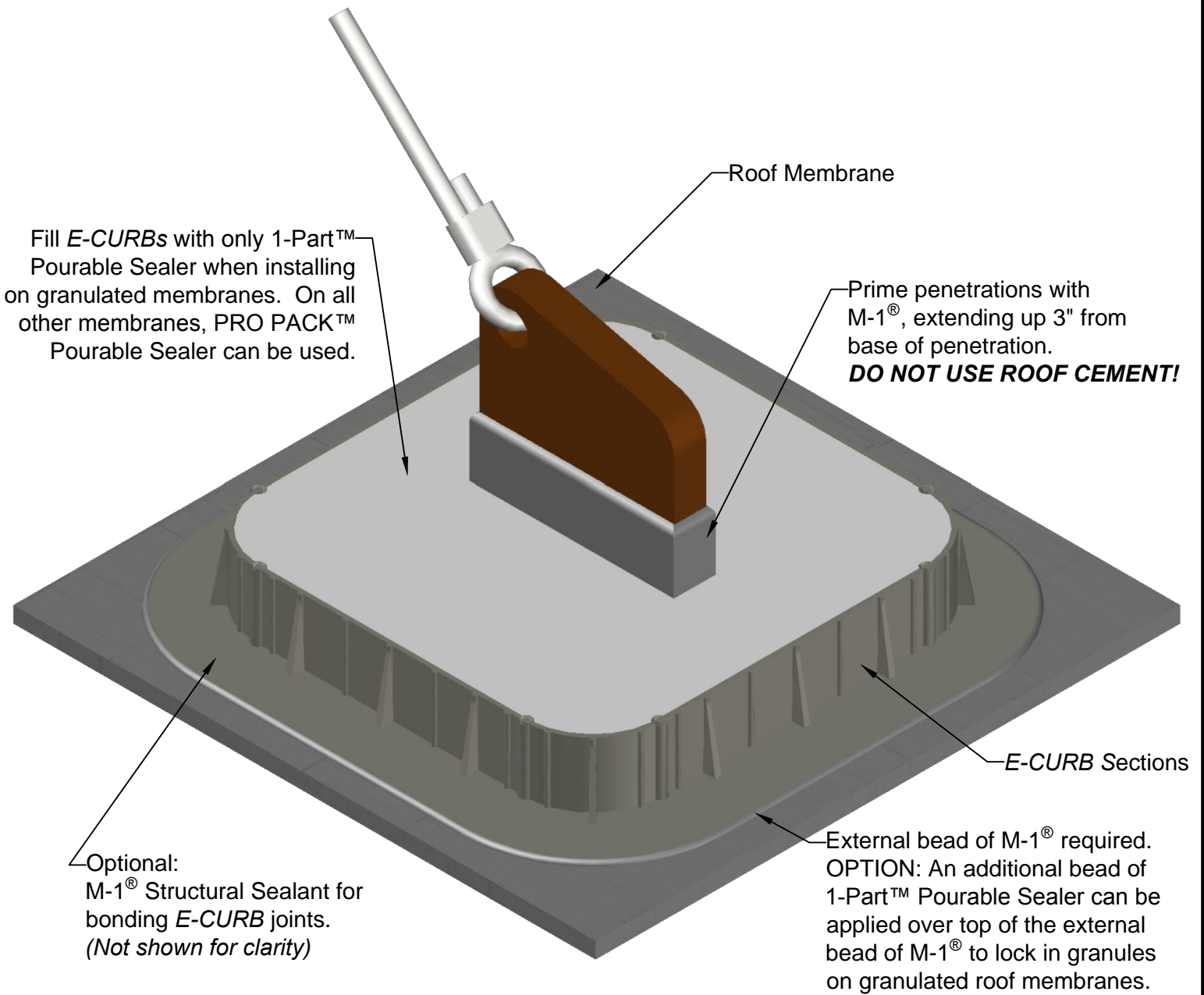
Sheet: 6 of 15

DRW #: CL-EC-01

Drawn by: Christian Appold

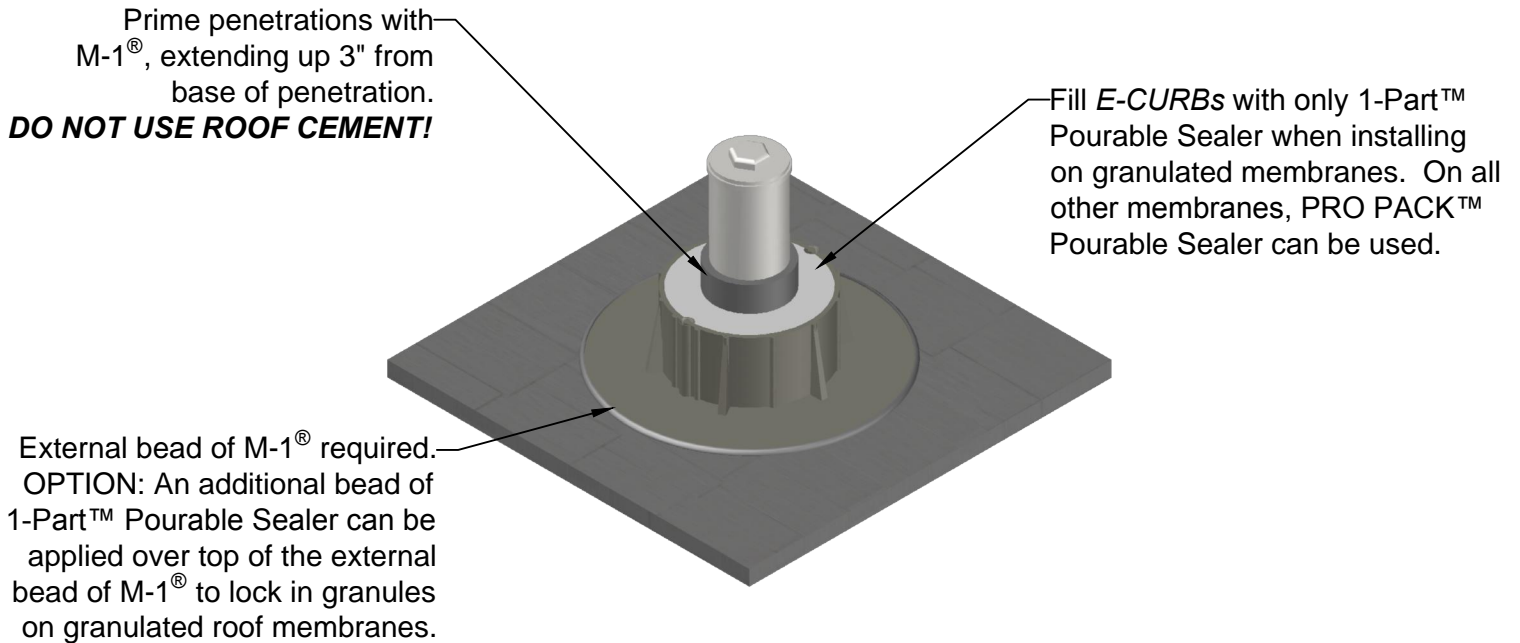
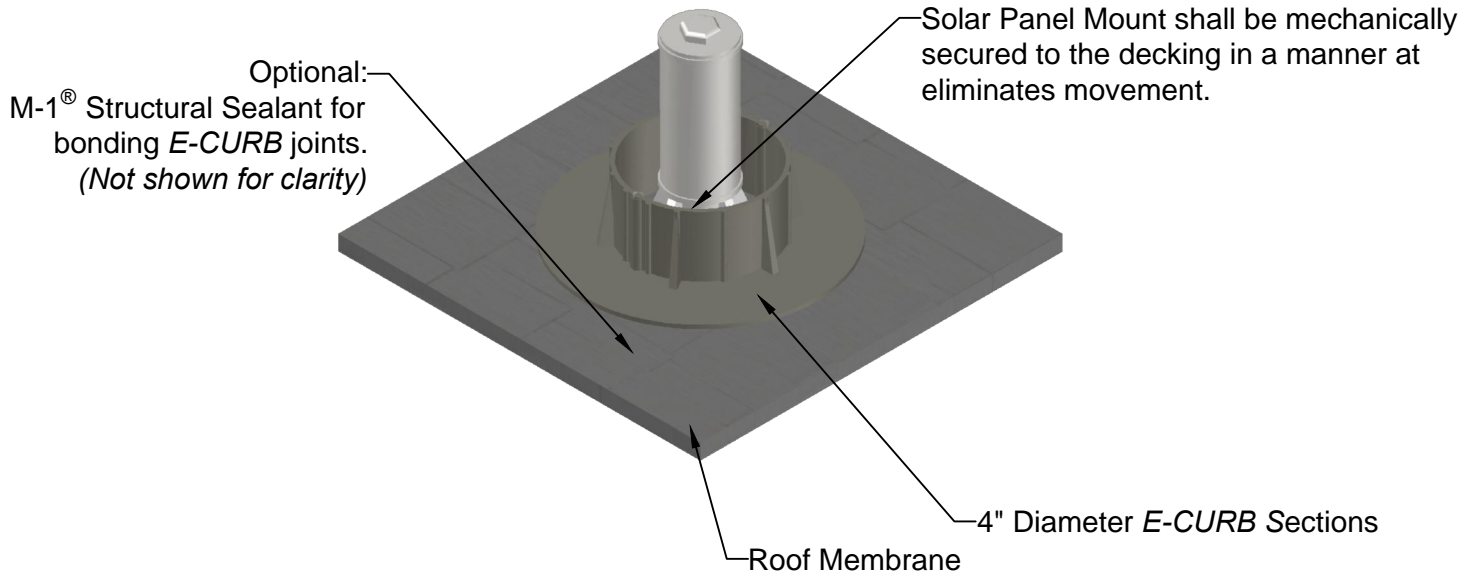


# CABLE SUPPORT PENETRATION



***A minimum 1" space is required between all penetrations and the interior wall of all E-CURBs.***

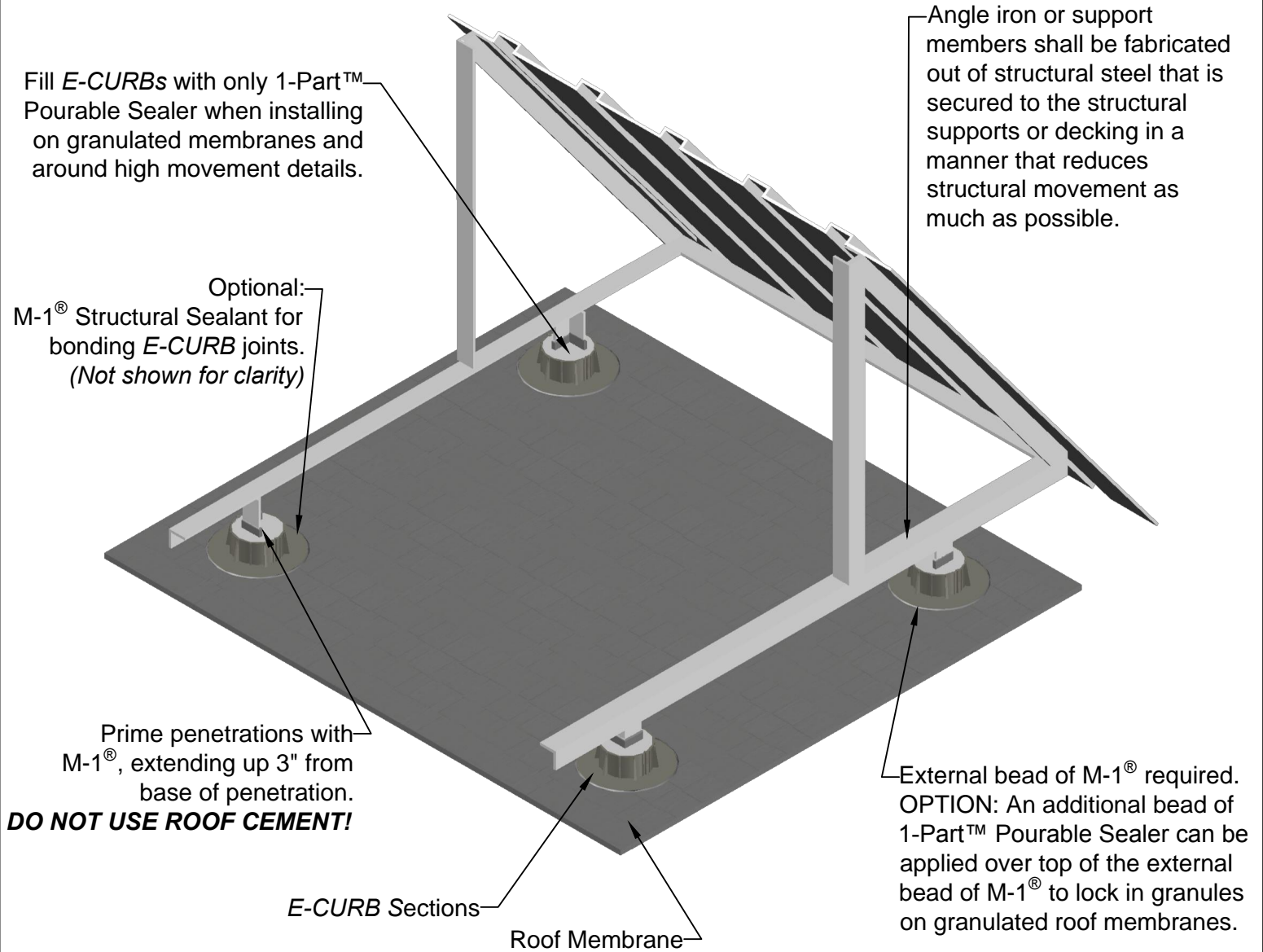
# SOLAR PANEL MOUNT



**A minimum 1" space is required between all penetrations and the interior wall of all E-CURBs.**



# MACHINERY SCREEN



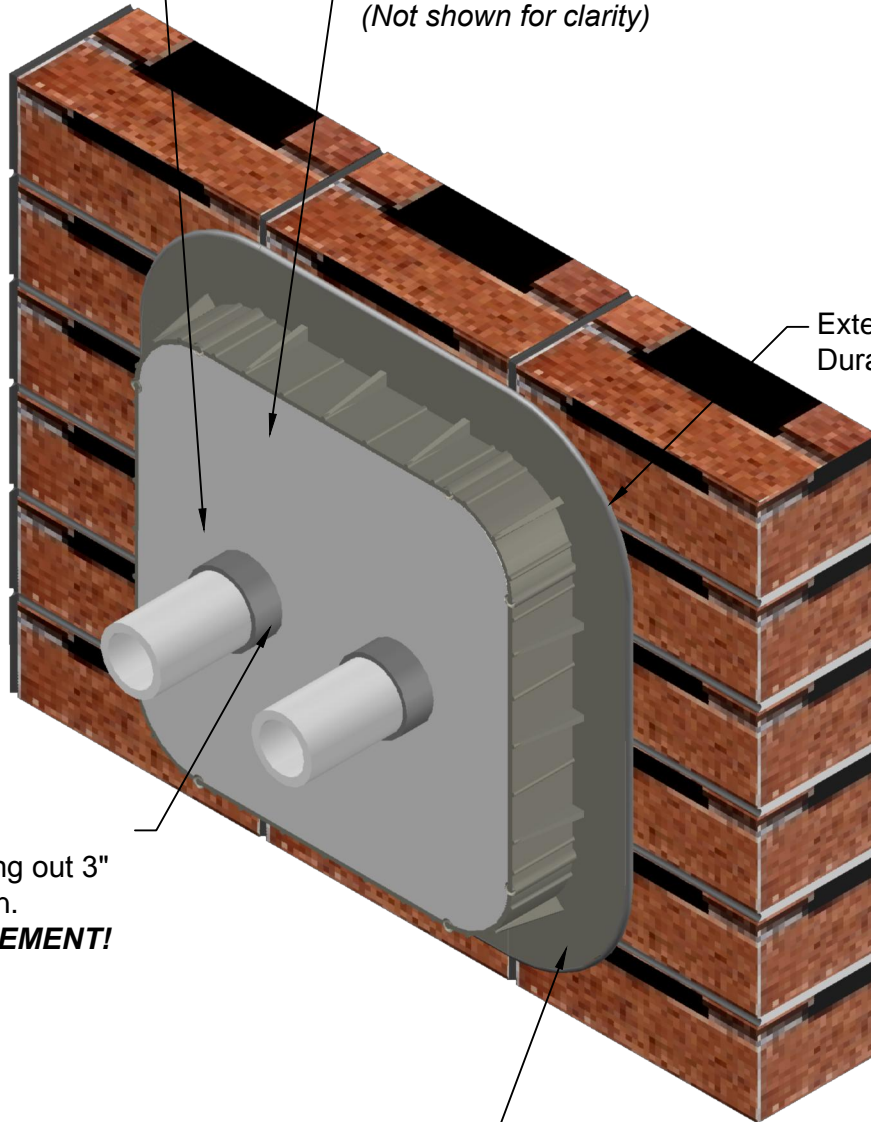
***A minimum 1" space is required between all penetrations and the interior wall of all E-CURBs.***

# VERTICAL WALL PENETRATIONS

Trowel application of DuraLink 50™ flush with the top of the E-CURB.

Optional: DuraLink 50™ Sealant for bonding E-CURB scarf joints. (Not shown for clarity)

External bead of DuraLink 50™ required.



Prime penetrations with DuraLink 50™, extending out 3" from base of penetration.  
**DO NOT USE ROOF CEMENT!**

E-CURB Sections

**A minimum 1" space is required between all penetrations and the interior wall of all E-CURBs.**



CONTACT INFORMATION:

Customer Service: 800.826.1681

[www.ChemLink.com](http://www.ChemLink.com)

Date: May 12, 2013

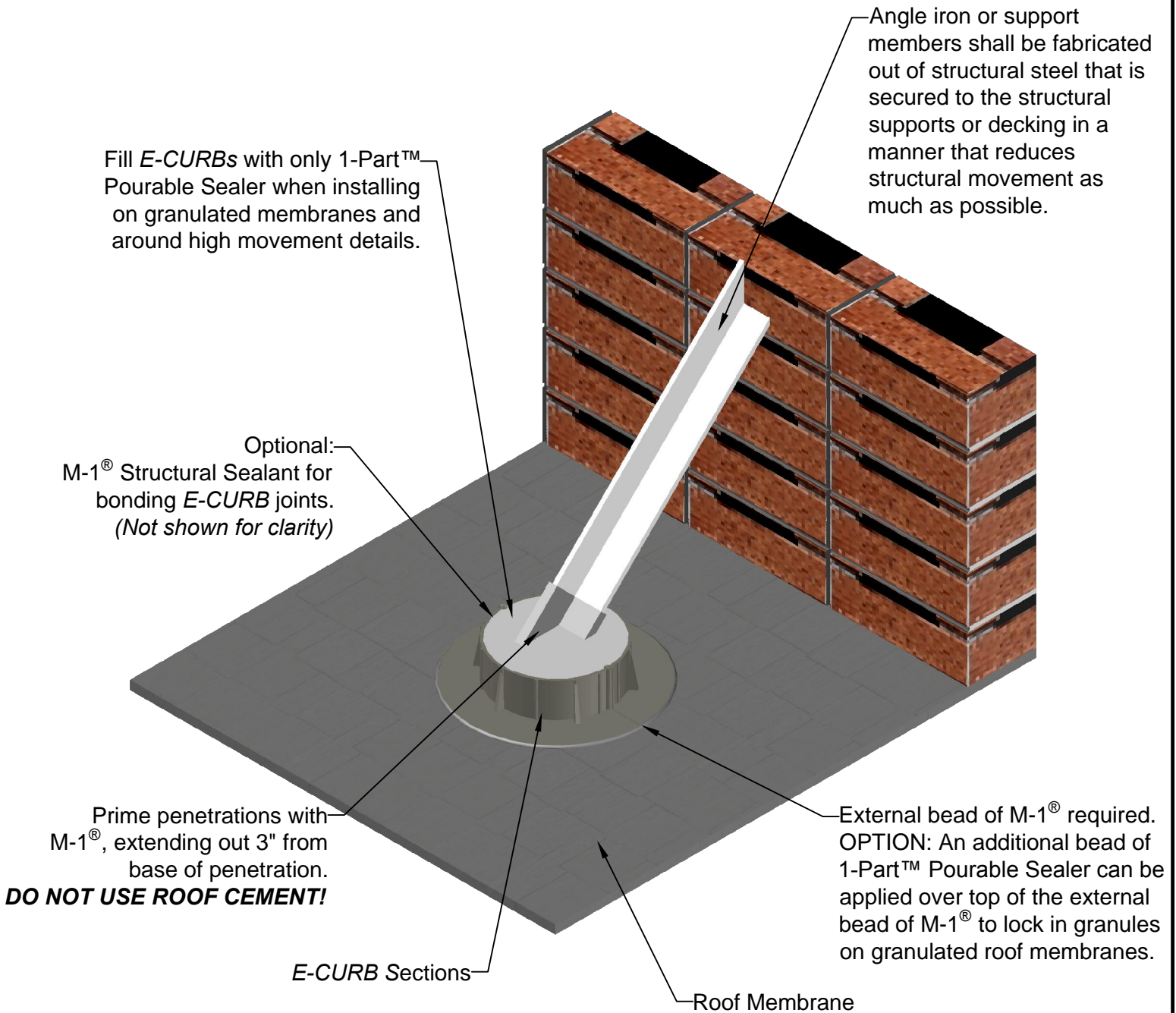
Title: E-CURBs

Sheet: 10 of 15

DRW #: CL-EC-01

Drawn by: Christian Appold

# ANGLE IRON PENETRATION



***A minimum 1" space is required between all penetrations and the interior wall of all E-CURBs.***



CONTACT INFORMATION:

Customer Service: 800.826.1681

[www.ChemLink.com](http://www.ChemLink.com)

Date: May 12, 2013

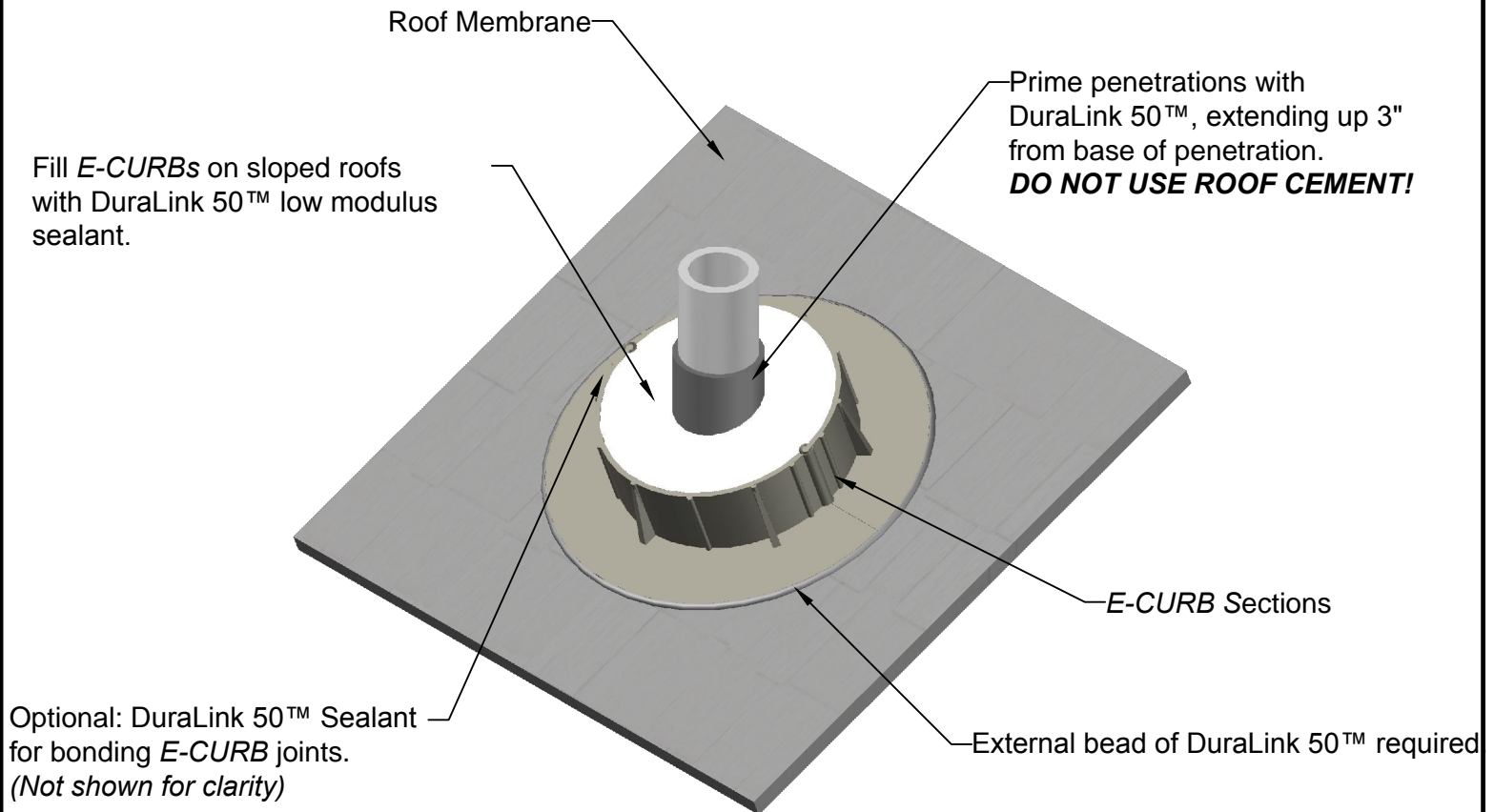
Title: E-CURBs

Sheet: 11 of 15

DRW #: CL-EC-01

Drawn by: Christian Appold

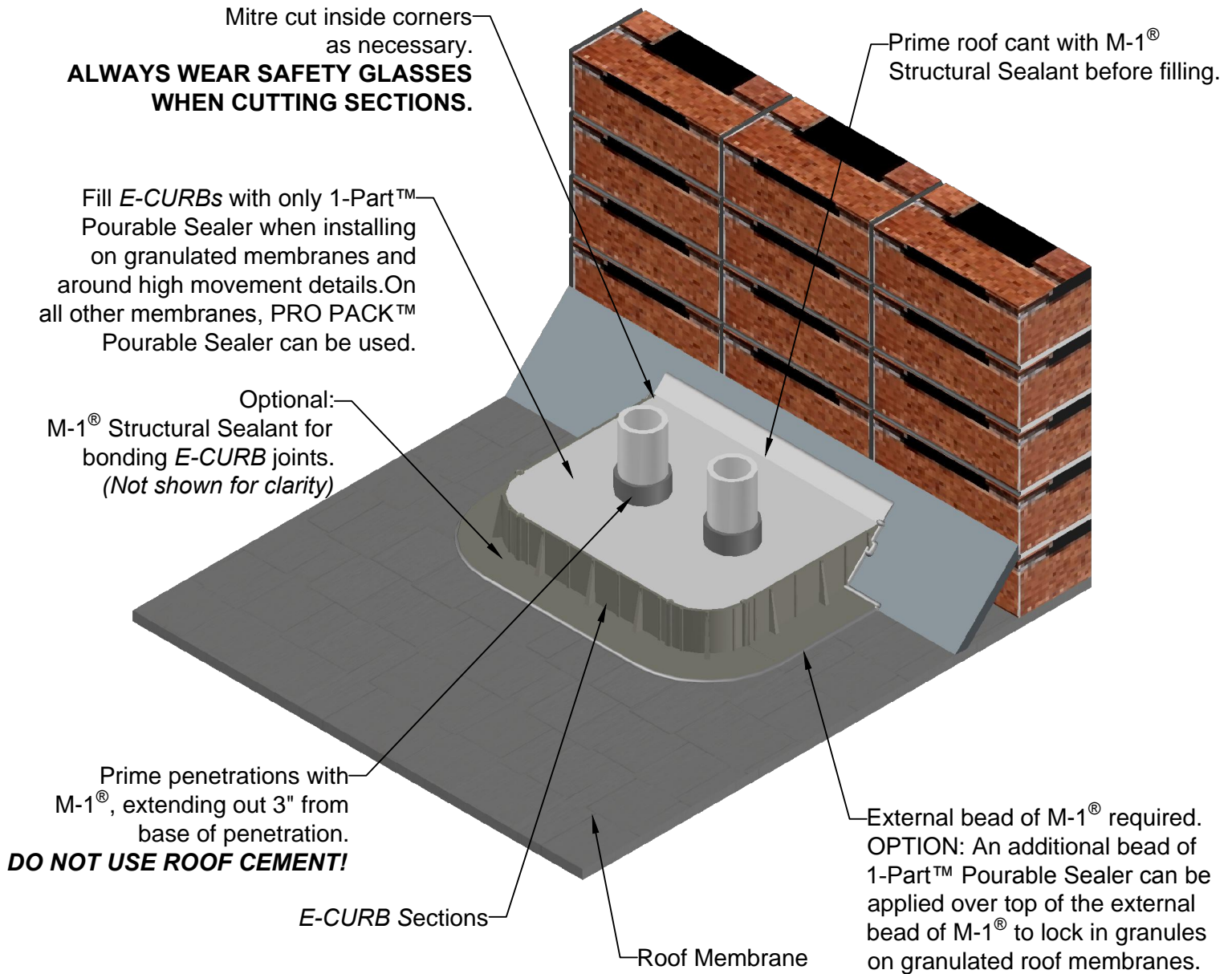
# SLOPED ROOF PENETRATION



***A minimum 1" space is required between all penetrations and the interior wall of all E-CURBs.***



# PENETRATION NEAR WALL FLASHING



***A minimum 1" space is required between all penetrations and the interior wall of all E-CURBs.***



CONTACT INFORMATION:

Customer Service: 800.826.1681

[www.ChemLink.com](http://www.ChemLink.com)

Date: May 12, 2013

Title: E-CURBs

Sheet: 13 of 15

DRW #: CL-EC-01

Drawn by: Christian Appold

# HOT STACK PENETRATION (200°F to 400°F)

Fill *E-CURBs* with **DuraSil™ SL** silicone for low slope applications or **DuraSil™ Non Sag** silicone for sloped roof applications.

**DuraSil™** Silicone for bonding *E-CURB* joints. (Not shown for clarity)

Prime penetrations with **DuraSil™** silicone, extending up 3" from base of penetration. **DO NOT USE ROOF CEMENT!**

Roof Membrane

*E-CURB* Sections

External bead of **DuraSil™** silicone required.

***A minimum 1" space is required between all penetrations and the interior wall of all E-CURBs.***



CONTACT INFORMATION:

Customer Service: 800.826.1681

[www.ChemLink.com](http://www.ChemLink.com)

Date: May 12, 2013

Title: E-CURBs

Sheet: 14 of 15

DRW #: CL-EC-01

Drawn by: Christian Appold

# TPO MEMBRANE

Apply *ChemLink* TPO Primer with a brush to the surface of the TPO membrane. Primer shall extend from the base of the penetration(s) to 1" beyond the outside perimeter of the *E-CURB*.

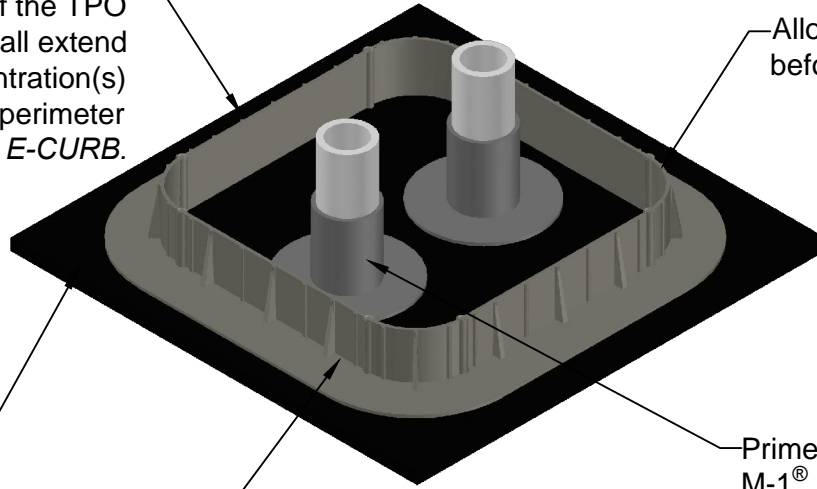
Allow TPO primer to dry before installing the *E-CURB*.

TPO Roof Membrane

*E-CURB* Sections

Prime penetrations with M-1<sup>®</sup>, extending up 3" from base of penetration.

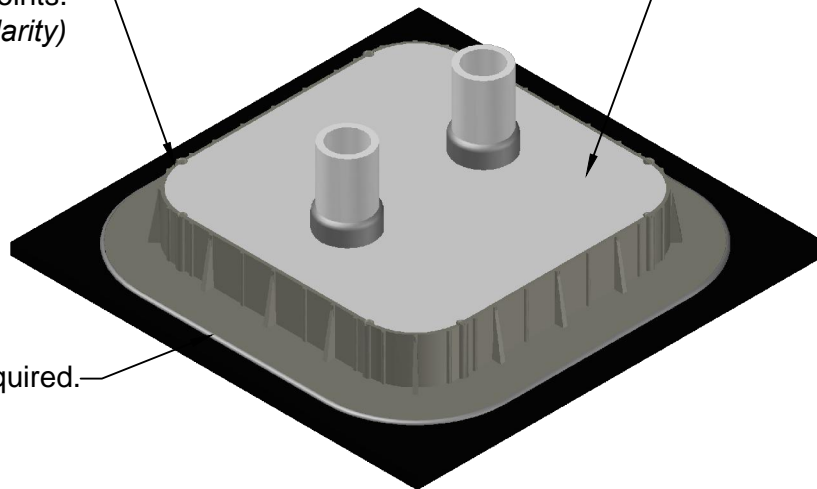
**DO NOT USE ROOF CEMENT!**



Optional:  
M-1<sup>®</sup> Structural Sealant for bonding *E-CURB* scarf joints.  
(Not shown for clarity)

Fill *E-CURBs* with only 1-Part<sup>™</sup> Pourable Sealer or PRO PACK<sup>™</sup> Pourable Sealer can be used.

External bead of M-1<sup>®</sup> required.



**A minimum 1" space is required between all penetrations and the interior wall of all *E-CURBs*.**