

SAVANT



Single 30 Amp Power Module (2-Pole, 240V AC) (Supports 1-Inch On-Center Load Centers)

Quick Reference and Installation Guide

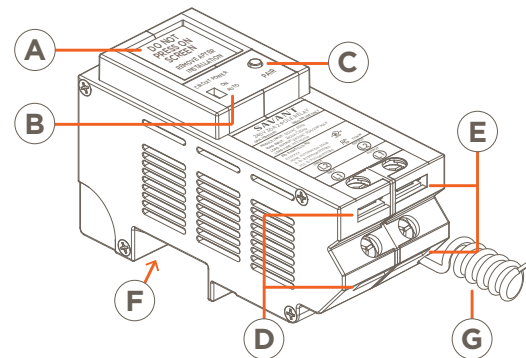
Box Contents

- (1) 30A Power Module (240VAC, 2 Pole)
 - GPM-H1R30240-21 w/Pigtail Neutral
- (1) Product Information and Regulatory Insert (009-1950)
- (1) Quick Reference and Installation Guide (this document)

Specifications

Environmental				
Temperature	-22° to +122° F (-30° to +50° C)			
Humidity	Up to 90% Relative Humidity (non-condensing)			
Location	Indoor use unless installed in a NEMA 3R rated enclosure.			
Dimensions and Weights (net)				
	Length	Width	Height	Weight
Module	4.98 inch (12.65 cm)	1.98 inch (5.03 cm)	2.80 inch (7.11 cm)	.57 lbs (.26 kg)
Shipping	7.48 inch (19.0 cm)	4.17 inch (10.60 cm)	1.69 inch (4.29 cm)	1.0 lbs. (.45 kg)
Power				
Input Power (powers the module)	120V AC (+/- 10%) @ 60 Hz, 0.1A (max)			
Input Power (from feeder breaker)	240V AC @ max load power			
Load Power	7200VA max (240VAC 30A resistive load / 2HP max)			
Features of Automatic Action	Type 1.B action			
Standards				
Wireless	Bluetooth Low Energy (BLE) - 2.4 GHz radio frequency			
Regulatory				
	FCC Part 15	UL	ICES 003	
Safety and Emissions				
Contains FCC ID:	PUU-QP1R30240		Contains IC: 10798A-QP1R30240	
RoHS	Compliant			
Recommended Load Center Types				
Refer to the Features section to the right for compatibility info.				
Supported Load Types				
Standard Configuration	Relay On/Off type loads (home automation)			
Electrical and Safety Characteristics				
Screw Tighten Torque	3.0 Nm			
Wire Type	Copper (Cu) only			
Pollution Degree	2			
Purpose of Control	Operating Control, Smart Relay Control Module or the equivalent			
Software	Class A			
Impulse Voltage	2500V			
Construction of Control				
Open Type	Independently mounted for flush mounting			
Minimum Supported Release				
Savant OS	da Vinci 10.1.1			

Descriptions



Multi-Page LCD screen that can display the following:

- Power draw at the output.
- Firmware, Mac Address, and Regulatory Info.
- UID of the Host that the module is communicating with.
- Real-time Bluetooth status connectivity icon.

- A** **Manual Load Switch** - Toggle to the ON position to switch the load on. Toggle to AUTO for normal operation.

PAIR Button - The PAIR button is a multi-use button. The duration that the button is pressed and held determines the function that gets initiated:

- C** **Press and Release** - Cycles through the screens available on the LCD (POWER > ENERGY > INFO 1 > INFO 2).


Press and hold - Press and hold for 2 seconds to put the module into pairing mode. Press and hold for 5 seconds to reset.

- D** **Input Power Connections** - Connect the outputs from the two feeder breakers to inputs L1 and L2 on the module. See the [Wiring](#) section below.

- E** **Output Power Connections** - Connect a 240V AC load across outputs L1 and L2. See the [Wiring](#) section below.

- F** **120V AC Connection** - Plugs onto the 120V AC bus bar in the electrical panel. This connection powers the module.

Pigtail Neutral - A neutral wire protrudes from the module's rear and gets wired to the neutral bar.

- G**  **TIP!** Modules with an external neutral wire (pigtail) are supported in Plug-On Neutral type electrical panels. In these cases, the pigtail wire must be connected directly to the neutral bus bar.

Features

- Control capability for loads up to 7200 VA (volt-ampere).
- The GPM-H1R30240-21 module is compatible with Schneider Homeline, Eaton BR, Siemens, and CE Powermark Gold load centers with a one-inch on-center bus bar.
- Dynamic management of loads.
- Built-in energy monitoring; +/- .5% revenue grade accuracy / 1 sec sample time.
- Communicates over the air using Bluetooth Low Energy (BLE).
- A Manual load switch on the front panel can toggle power to the output On and Off.
- Color LCD display for easy identification and load status.

Important Information

- The breaker(s) feeding this module should not be larger than 30 amps.
- This module can handle loads up to 30 amps.
- To determine the number of spaces needed in the electrical panel, add the number of spaces required for the feeder breaker(s) to the number of spaces needed for the module.
 - A single pole circuit breaker requires one space.
 - A 2-pole feeder breaker requires two spaces.
 - A GPM-HIR30240 power module requires two spaces.
- On Eaton type power modules, when plugging the module into an electrical panel, the module won't fully seat onto the bus bar if a wire is installed in the neutral bar directly under the module's neutral clip.
- Savant recommends not connecting any mission critical loads such as medical devices to this module.

ELECTRIC SHOCK! The 120/240V AC, 60 Hz source poses an electrical shock hazard that has the potential to cause serious injury to installers and end users.

CAUTION! Risk of Electric Shock - More than one disconnect switch may be required to de-energize the device before servicing.

IMPORTANT! A licensed electrician is required to install any of Savant's power modules.

Branch Circuit Minimum Size of Conductors (General circuit wiring, Copper Conductors)

15A	20A	30A	40A	50A	60A
#14 AWG	#12 AWG	#10 AWG	#8 AWG	#6 AWG	#4 AWG

NOTE: This wiring requirement was based on the National Electric Code (NEC) (ANSI/NFPA70), Canadian Electric Code, Part 1 (CEC), and local codes Minimum Size of Conductors.

Installation into an Electrical Panel

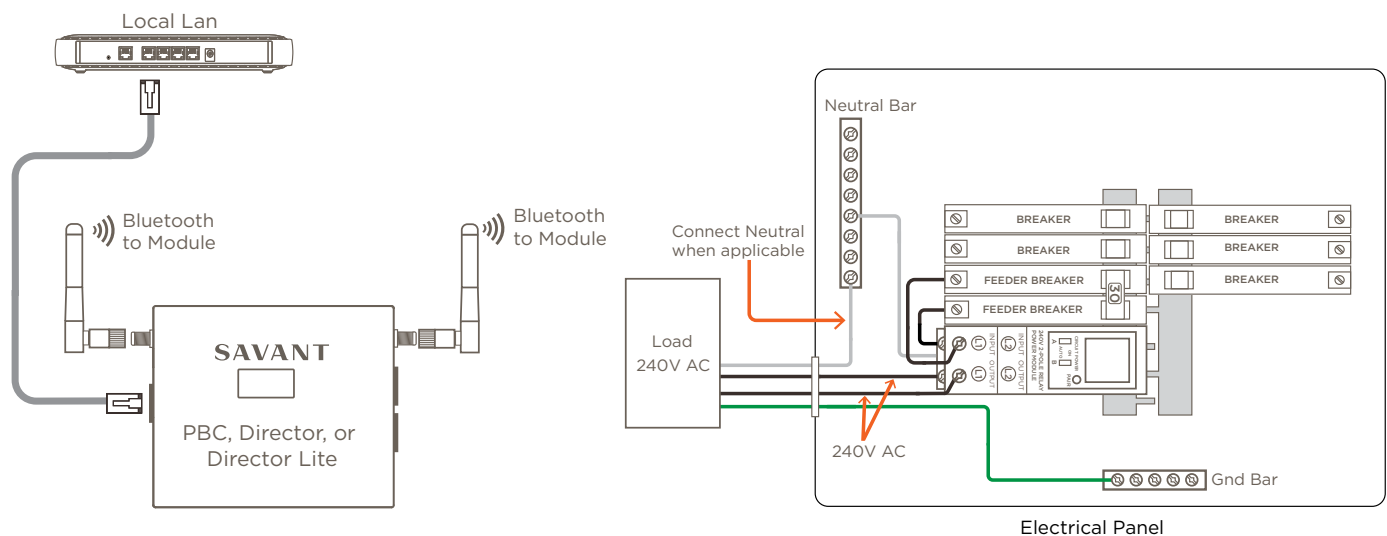
1. Switch off the electrical panel's main breaker to remove power from the panel.
2. Position and install a 2-pole feeder breaker into any two slots in the panel. Press firmly until the breaker is fully seated onto the appropriate bus bars.
3. Position and install the 30A Power Module into the electrical panel. The neutral clip on the bottom of the Eaton type modules must sit on a portion of the neutral bar where no neutral wire is installed beneath it. With a wire installed in the hole in the neutral bar just under the neutral clip, the module won't seat properly.
4. Press firmly until the module is fully seated onto the appropriate bus bars. The power module is typically installed alongside the feeder breaker installed in step 2 but doesn't need to be.

HELPFUL! This power module fills two slots in the electrical panel but connects to just one phase (120V AC). This connection powers the module.

5. Refer to the [Wiring](#) section to make the appropriate connections.

System Overview

The complete system is shown below for reference. The controller (PBC, Director, Director Lite) communicates with the power module over Bluetooth and communicates with the Savant Host over Ethernet.



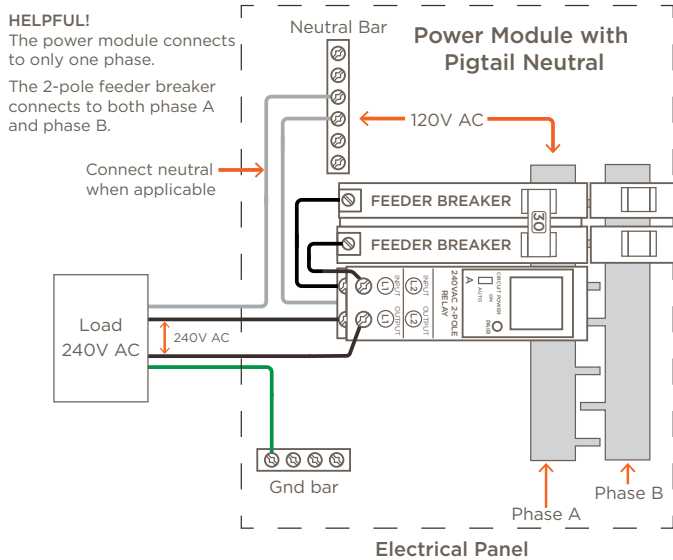
HELPFUL! The diagram shows an electrical panel that doesn't contain a plug-on neutral bus bar. However, both plug-on neutral and non plug-on neutral panels are supported.

Wiring

The diagram below covers a basic installation. When making connections, observe all general electrical best practices which includes the local wire sizing guideline codes. See the **Branch Circuit Minimum Size Conductors** table on the previous page.

Non Plug-on Neutral Panel with Standard Breakers

Electrical panel without a plug-on neutral bus bar
(with standard type feeder breakers)



HELPFUL!

- Modules with a pigtail neutral wire can be used in Plug-On Neutral supported electrical panels. The electrician, however, must terminate the module's neutral wire to a neutral bar.
- A Class 2 Surge Protection Device is recommended when installing Savant's power and energy equipment in areas that experience frequent lightning or other transient voltage and current producing phenomena.

Circuit Test Instructions

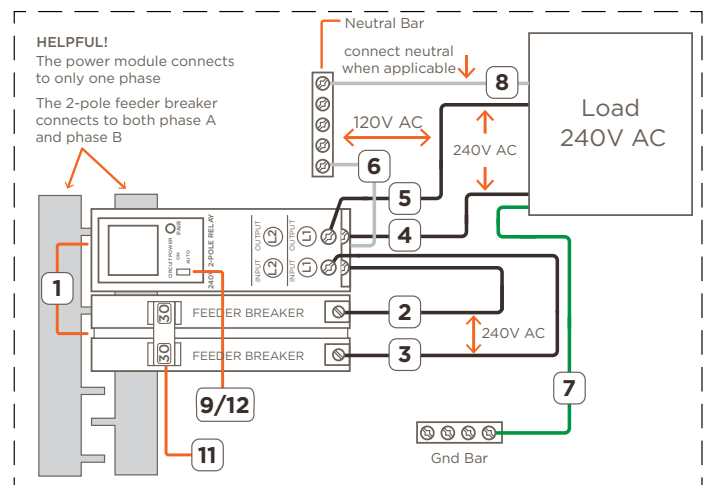
Use the instructions below to test a power module. The setup requires:

- 30 Amp Relay Power Module.
- Load with maximum amperage of 30A.
- Standard 2-pole, 30 amp circuit breaker.
- Electrical test panel. The type of module determines the type of electrical panel (plug-on neutral or not)
- 120/240V AC source

IMPORTANT!

- The 2-pole breaker connects across both phases in the breaker panel. The module, however, attaches to just one phase.
- The GPM-H1R30240-21 module can accept up to a #10 AWG wire. See the **Branch Circuit Minimum Size of Conductors** table on the previous page.

1. Plug the 30 amp 2-pole feeder breaker and the 30 amp power module into an electrical test panel.
2. Connect the output from one of the feeder breakers to the L1 input on the module.
3. Connect the output from the remaining side feeder breaker to the L2 input on the module.
4. Connect one side of a load to the L1 output on the module.
5. Connect the remaining side of the load to the L2 output on the module.
6. On modules that contain a neutral wire, connect the neutral wire to the neutral bar.
7. Connect the ground wire from the load to GND in the electrical panel.
8. Connect the neutral from the load to the neutral bar (only when applicable).
9. Verify the CIRCUIT POWER switch on the power module is in the AUTO position.
10. Apply power to the electrical panel (not shown in diagram)
11. Toggle the 30 amp 2-pole feeder breaker to On.



Additional Documentation

Further information is available in the documents listed below and can be accessed via the [Savant Customer Community](#).

- Panel Bridge Controller with PoE (PBC-P1000) QRG
- Savant Panelized Lighting Deployment Guide.
- Savant Power System Deployment Guide - Power & Light App

Notes
