

MicroRail TR



DATA SHEET

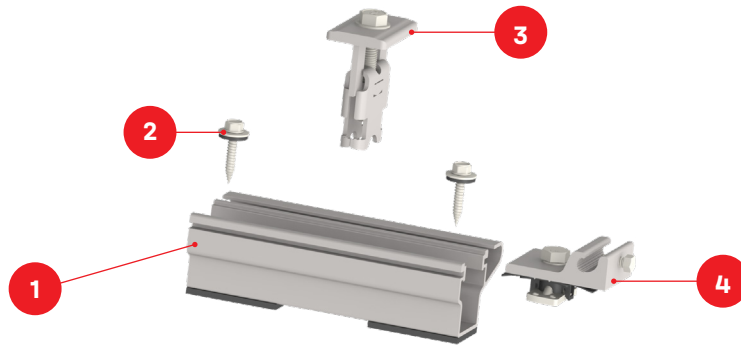


PRODUCT FEATURES

Part Number	Description
4000185	K2 MicroRail TR, w/EPDM, 2 Holes
4000184	K2 MicroRail TR, w/EPDM, 4 holes

- / Low part count with only 2 main components (K2 CrossClamp and MicroRail Kit)
- / MicroRails packaged in boxes, reducing cost and shipping
- / Rail sections come with EPDM pre-assembled on bottom of mount
- / Self-tapping screws come with EPDM sealing washer
- / Attaches to the top of ribs reducing the possibility of water intrusion
- / Install on 22-26 gauge trapezoidal profiles with crest width greater than 20mm

TECHNICAL DATA

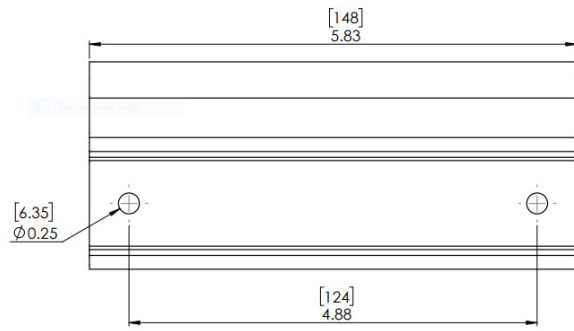
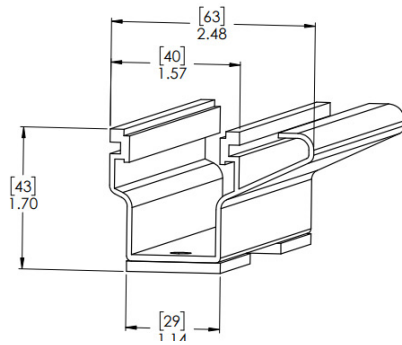


Item Number	Description	Part Number
1	K2 MicroRail TR, w/EPDM, 2 Holes	4000185 K2 MicroRail TR, w/EPDM, 2 Holes
2	Self-tapping screw with sealing washer	
3	K2 Cross Clamp	4000135 / 4000145
4	K2 Ground Lug	4000006-H

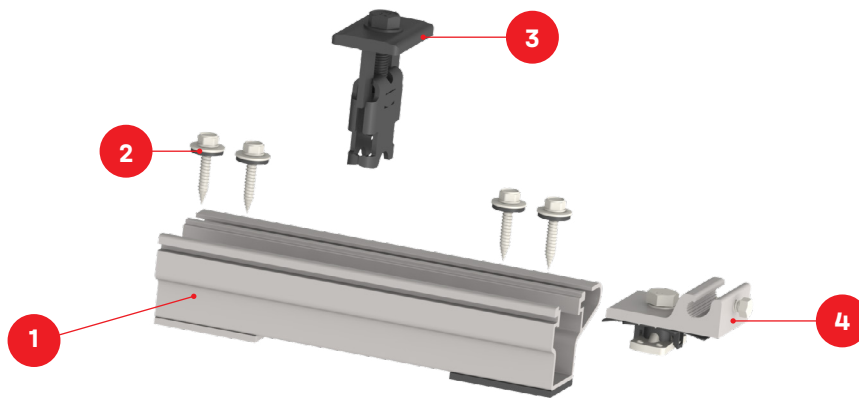
Mechanical Properties	MicroRail TR 2 Holes
Material	6000 Series Aluminum
Finish	Mill
Screw	5.5 mm diameter, 25 mm length
Ultimate Tensile Strength	37.7 ksi (260 Mpa)
Yield strength	34.8 ksi (240 Mpa)
Weight	2 holes: 0.382 lb/pc (0.173kg/pc)

Sectional Properties	MicroRail TR 2 Holes
Sx	0.177 in ³ (2897.73 mm ³)
Sy	0.250 in ³ (4103.31 mm ³)
A (X-Section)	0.507in ² (3.2709 cm ²)

Units: in [mm]



TECHNICAL DATA

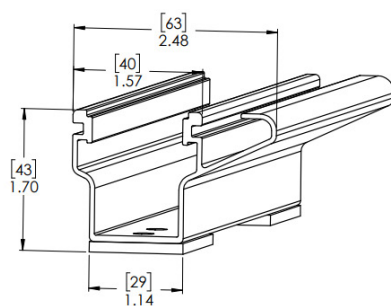


Item Number	Description	Part Number
1	K2 MicroRail TR, w/EPDM, 2 Holes	4000184 K2 MicroRail TR, w/EPDM, 4 Holes
2	Self-tapping screw with sealing washer	
3	K2 Cross Clamp	4000135 / 4000145
4	K2 Ground Lug	4000006-H

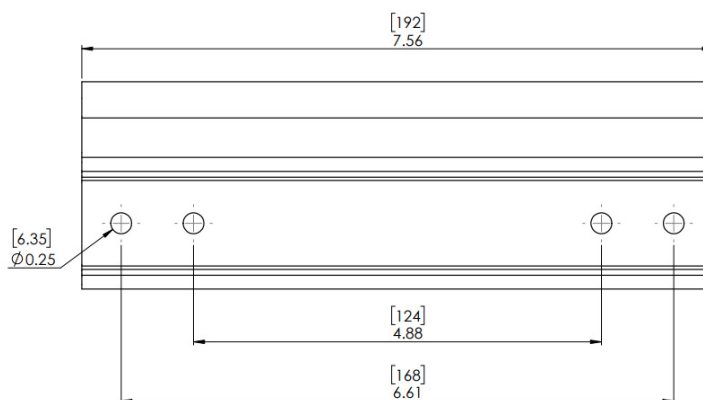
Mechanical Properties	MicroRail TR 4 Holes
Material	6000 Series Aluminum
Finish	Mill
Screw	5.5 mm diameter, 25 mm length
Ultimate Tensile Strength	37.7 ksi (260 Mpa)
Yield strength	34.8 ksi (240 Mpa)
Weight	4 holes: 0.48 lb/pc (0.217 kg/pc)

Sectional Properties	MicroRail TR 4 Holes
Sx	0.177 in ³ [2897.73 mm ³]
Sy	0.250 in ³ (4103.31 mm ³)
A (X-Section)	0.507in ² (3.2709 cm ²)

Units: in [mm]

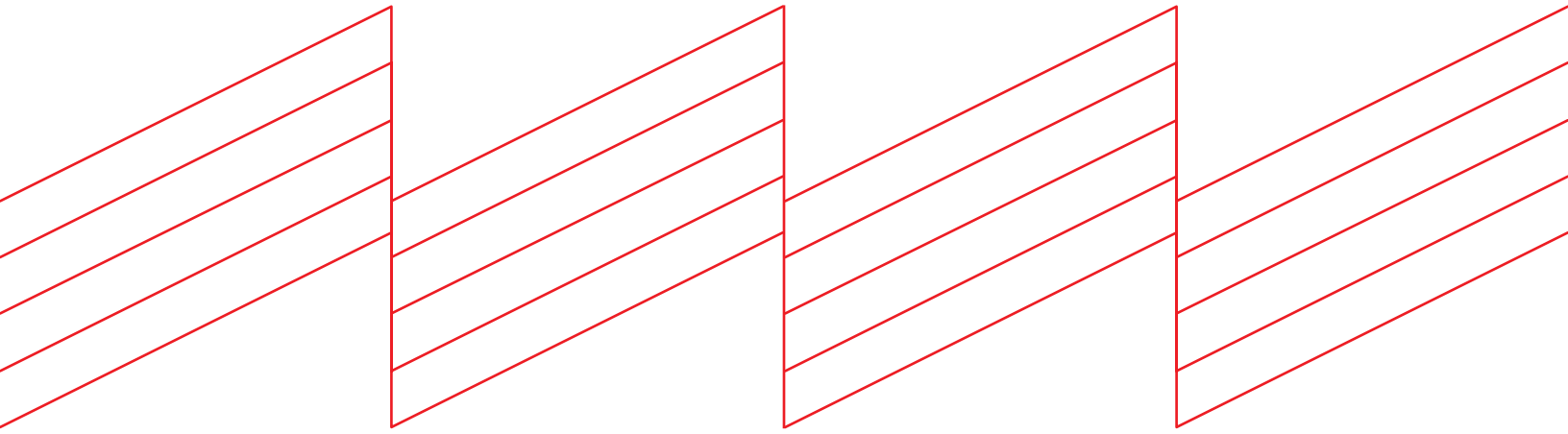


Dimensions: [mm] in





Connecting Strength



K2 Systems, LLC

4665 North Ave. Suite I • Oceanside, CA 92056 •
USA +1.760.301.5300 • infous@k2-systems.com
www.k2-systems.com

MicroRail TR Data Sheet V1 | 1023 • Subject to change
Product illustrations are exemplary and may differ from the original.