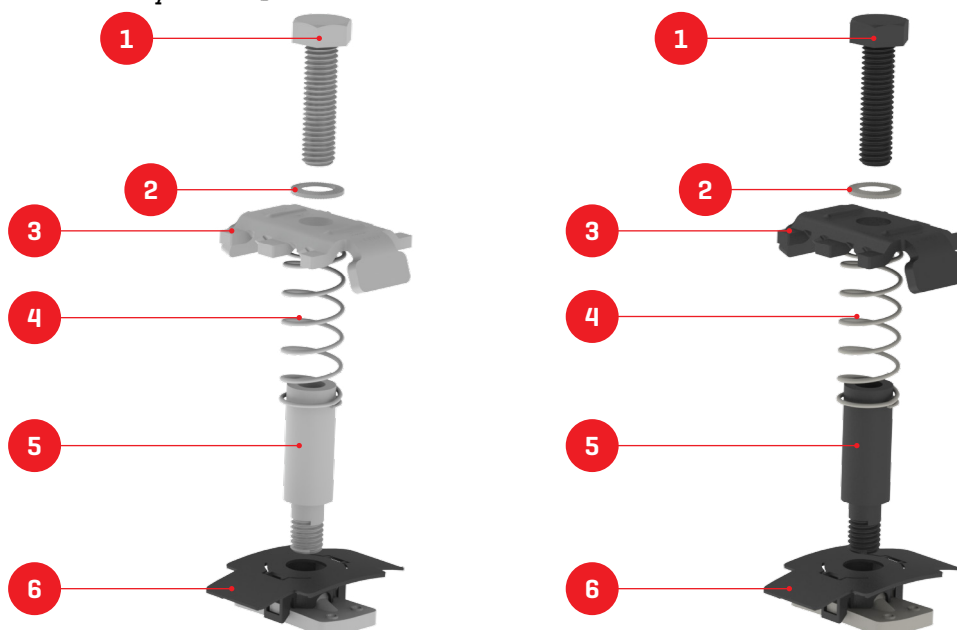


We support PV systems  
Formerly Everest Solar Systems



# CrossRail Mid Clamp

## TECHNICAL SHEET

Item Number	Description	Part Number
1	M8 Serrated Flange Hex Head Bolt, 13mm	4000601-H   CR MC Silver 30-47mm, Shared RL 30-37mm, 13mm Hex
2	Lock Washer	
3	Mid Clamp Top	4000602-H   CR MC Dark 30-47mm, Shared RL 30-37mm, 13mm Hex
4	Clamp Spring, 65mm length	4000688-H   CR MC Silver, 38-55mm, Shared RL 28-46mm 13mm Hex
5	Mid Clamp Standoff	
6	MK3 Slot Nut	4000689-H   CR MC Dark, 38-50mm, Shared RL 28-46mm 13mm Hex

### Technical Data

CrossRail Mid Clamp	
Compatible module frame size	28-55mm
Material	Stainless steel
Finish	Mill or dark anodized
Compatibility	CrossRail 44-X, 48-X, 48-XL, 80, MiniRail, D-Dome R <sup>2</sup>