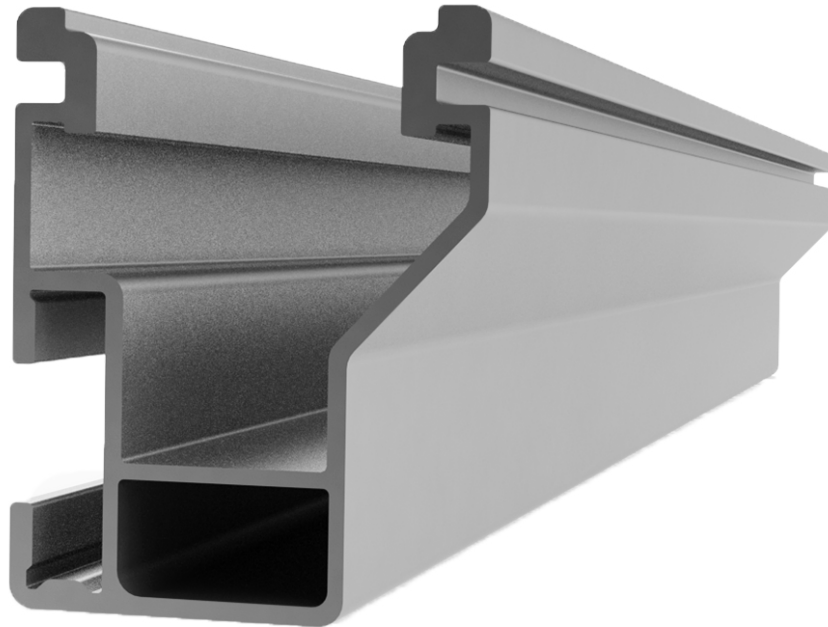


CrossRail 48-X



DATA SHEET



Part Number	Description
4000662	CrossRail 48-X 166", Mill
4000663	CrossRail 48-X 166", Dark
4000723	CrossRail 48-X 172", Mill



TECHNICAL DATA

Mechanical Properties

	CrossRail 48-X
Material	6000 Series Aluminum
Ultimate Tensile Strength	37.7 ksi (260 MPa)
Yield Strength	34.8 ksi (240 MPa)
Weight	.56 lbs/ft (0.833 kg/m)

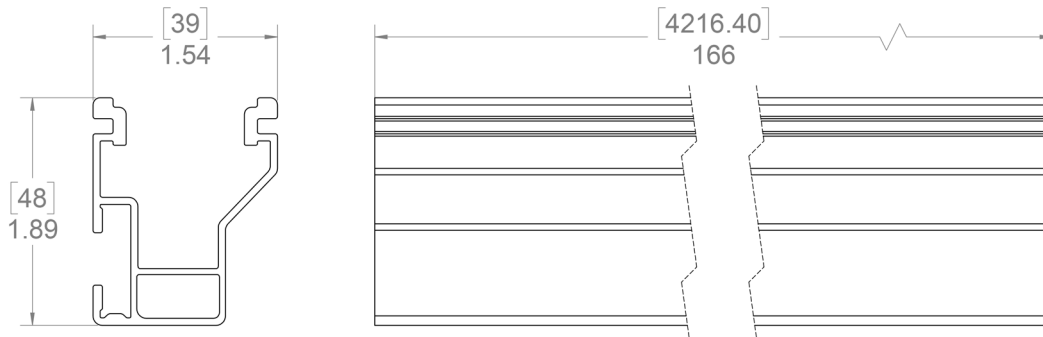
Sectional Properties

	CrossRail 48-X
Sx	0.198 in ³ (3.245 cm ³)
Sy	0.151 in ³ (2.474 cm ³)
A (X-Section)	0.465 in ² (2.999 cm ²)

LOAD		RAIL SPAN								
SNOW (psf)	WIND (mph)	32"	4'	64"	6'	80"	8'	112"	10'	12'
0	120									
0	140									
0	160									
10	120									
10	140									
10	160									
20	140									
20	160									
30	160									
40	160									
80	160									
100	160									

44X/MAX 48X 48XL CR80

Units: [mm] in



Notes:

- ▶ Structural values and span charts determined in accordance with Aluminum Design Manual and ASCE 7-16
- ▶ UL2703 Listed System for Fire and Bonding