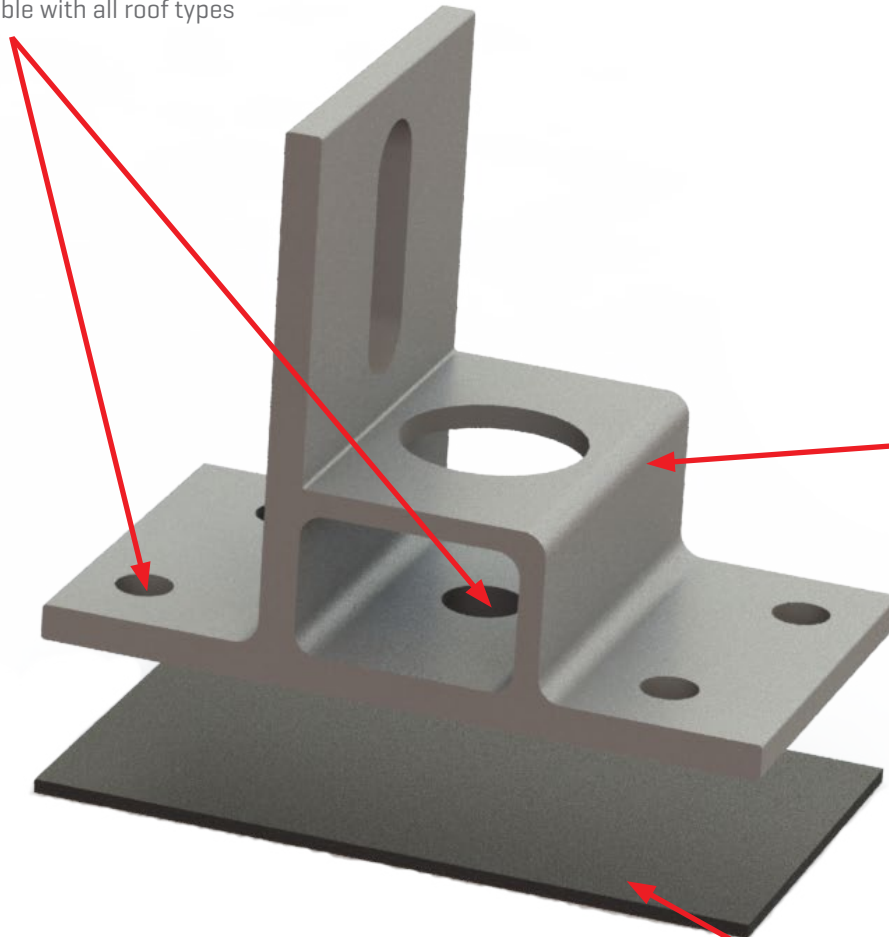


## Rafter or Deck Attach

- ▶ 4 screws in the corners for deck attach
- ▶ 1 lag screw in the center for rafter attach
- ▶ Compatible with all roof types



## Rail Shelf

- ▶ Allows for easier rail support
- ▶ Aligns CrossRail T-Bolt channel

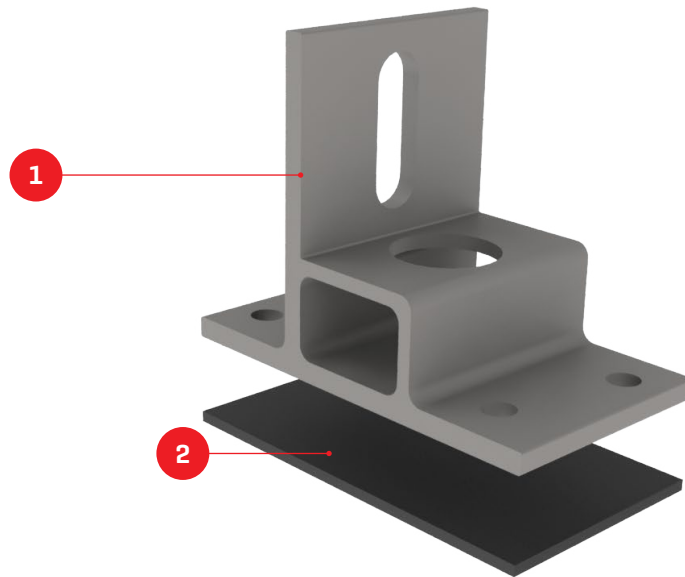
## K2 EverSeal

- ▶ Pre-installed butyl flexible flashing
- ▶ 30+ years of proven water sealing technology
- ▶ TAS 100[A] and Wind Driven Rain tested and approved



# K2 Flex Foot

## TECHNICAL SHEET



## K2 Flex Foot

### TECHNICAL SHEET

Item Number	Description	Part Number
1	K2 Flex Foot	4000718   K2 Flex Foot Kit, Mill w/EverSeal
2	K2 EverSeal	

#### Technical Data

	K2 Flex Foot
Roof Type	Composition shingle, all flat roofs
Material	Aluminum with stainless steel hardware
Finish	Mill
Roof Connection	[4] M5 x 60 screws to deck or [1] 5/16" lag screw to rafter, 3/8" anchor for concrete
Code Compliance	UL 2703
Compatibility	CrossRail 44-X, 48-X, 48-XL, 80

# CONNECTING STRENGTH



Units: [in] mm

