

CrossRail 80



DATA SHEET



Part Number	Description
4000708	CrossRail 80 172", Mill
4001370	SPO CrossRail 80, 216" Rail, Mill



TECHNICAL DATA

Mechanical Properties

	CrossRail 80
Material	6000 Series Aluminum
Ultimate Tensile Strength	37.7 ksi (260 MPa)
Yield Strength	34.8 ksi (240 MPa)
Weight	.76 lbs/ft (1.13 kg/m)

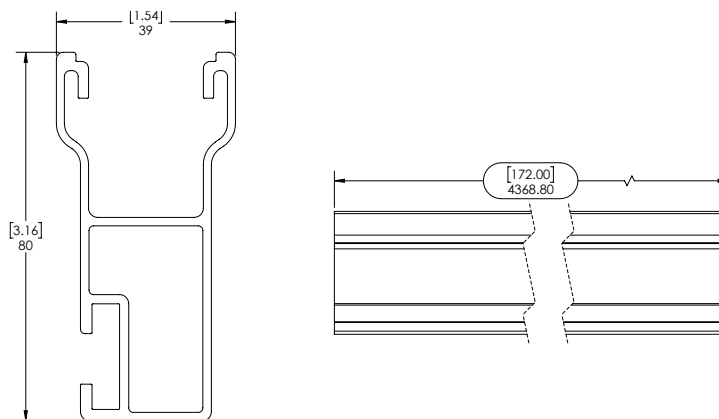
Sectional Properties

	CrossRail 80
Sx	0.529 in ³ (8.699 cm ³)
Sy	0.2514 in ³ (4.120 cm ³)
A (X-Section)	0.777 in ² (5.013 cm ²)

LOAD		RAIL SPAN								
SNOW (psf)	WIND (mph)	32"	4'	64"	6'	80"	8'	112"	10'	12'
0	120									
0	140									
0	160									
10	120									
10	140									
10	160									
20	140									
20	160									
30	160									
40	160									
80	160									
100	160									

44X/MAX 48X 48XL CR80

Units: [mm] in



Notes:

- ▶ Structural values and span charts determined in accordance with Aluminum Design Manual and ASCE 7-16
- ▶ UL2703 Listed System for Fire and Bonding