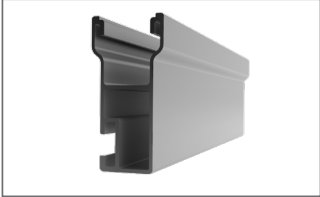
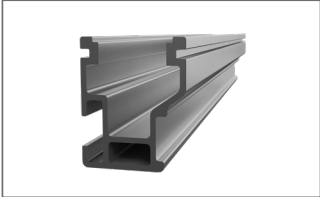
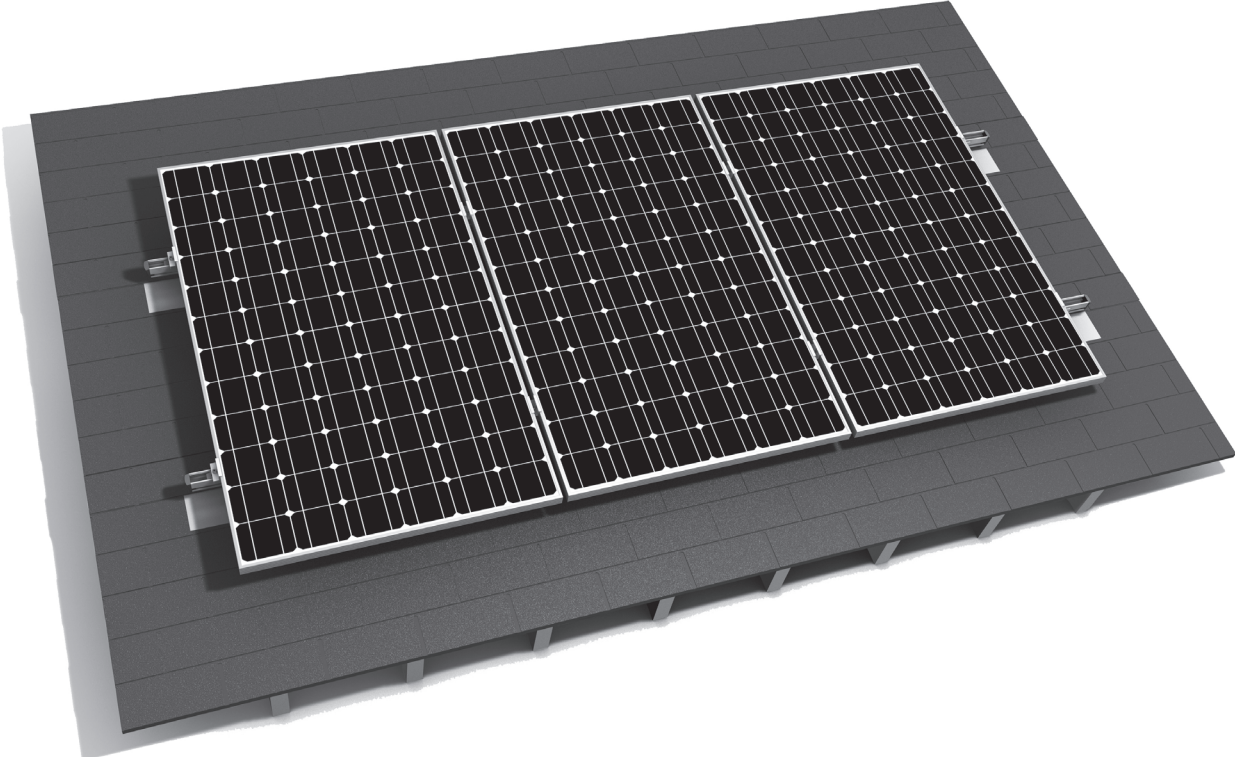


Mounting systems for solar technology



EVEREST SOLAR SYSTEMS
RESIDENTIAL ROOF SOLUTIONS
CROSSRAIL SYSTEM

Everest Solar Systems, LLC
3809 Ocean Ranch Blvd., Suite 111
Oceanside, CA 92056
Service-Hotline +1.760.301.5300
info@everest-solarsystems.com
www.everest-solarsystems.com

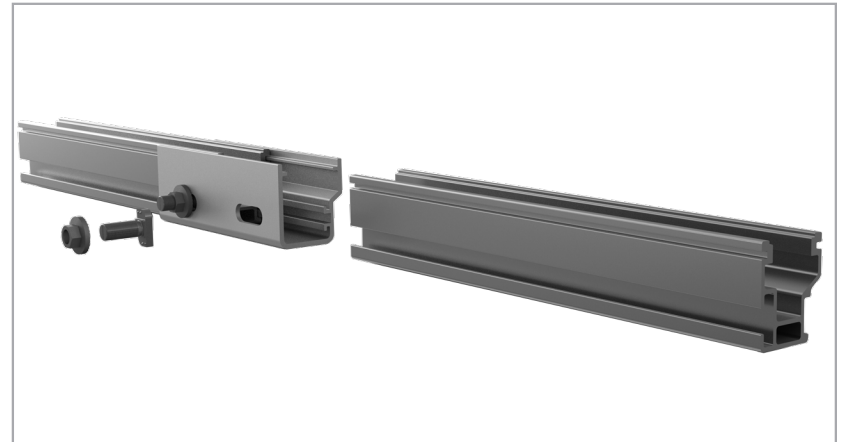
CROSSRAIL SYSTEM



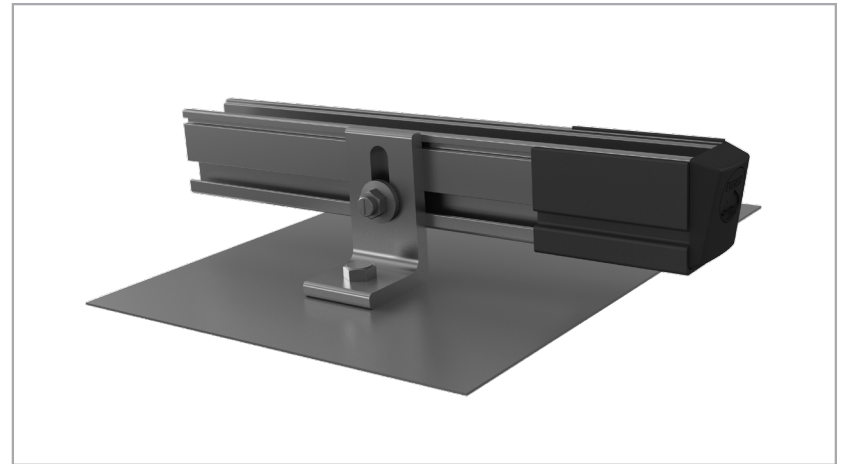
- ▶ High quality, German-engineered system optimized for residential installation
- ▶ MK3 mounting hardware simplifies module installation – fast, easy, and secure
- ▶ Easily integrates with third party roof attachment products
- ▶ L-foot provides adjustability and compatibility with common roof types
- ▶ 100% code-compliant, structural validation for all solar states
- ▶ Three rail sizes available to suit all structural conditions
- ▶ Most components also available in dark
- ▶ Fast installation with minimal component count result in low total installed cost
- ▶ Simple to design using code compliant Everest Online Design Tool
- ▶ Use two innovative components to turn this system into Shared Rail or Tilt Up

TECHNICAL DATA

Applicable roof types	Composition shingle, tile, flat tile
Flexibility	Modular construction, suitable for any system size, height adjustable
PV modules	For all common module types
Module orientation	Portrait and landscape
Material	High corrosion resistance, stainless steel and high grade aluminum
Roof attachment	Screw connection into rafter
Structural validity	IBC compliant, stamped engineering letters available for all solar states
Warranty	20 years
System components	CrossRail 48-X/48-XL/80, L-Foot, Mid and End Clamp Sets



CrossRail Structural Splice



CrossRail with EverFlash, Rail Sleeve and End Cap



Bonding Mid Clamp | End Clamp | Micro, Optimizer & Accs Mounting Kit