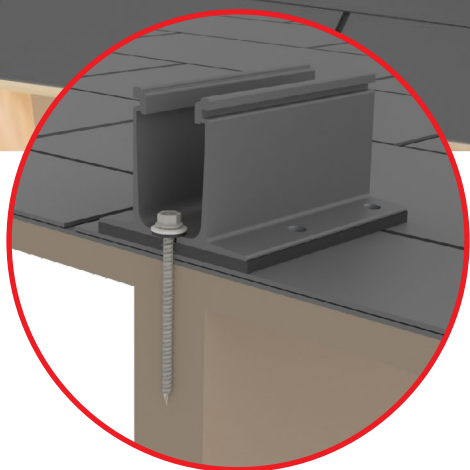
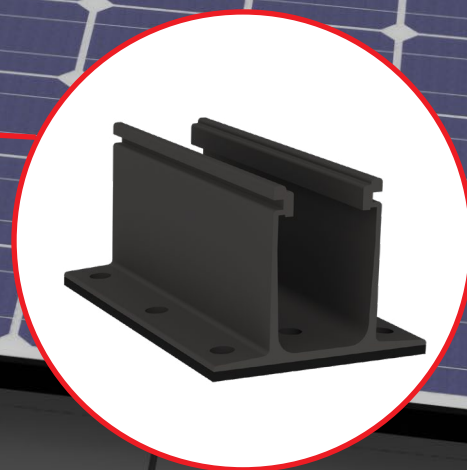




MiniRail Comp



DATA SHEET



- Pre-assembled with K2 EverSeal butyl
- / Self-adheres to roof saving hours on the job
 - / No additional sealant needed
 - / Water submergence tested
 - / Accelerated age/weather tested

PRODUCT FEATURES



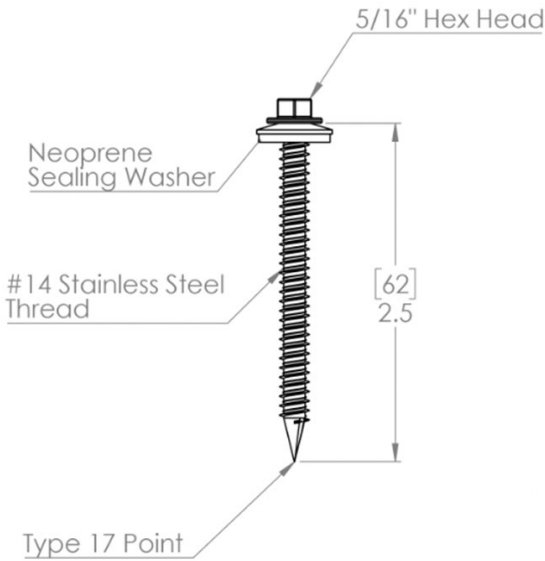
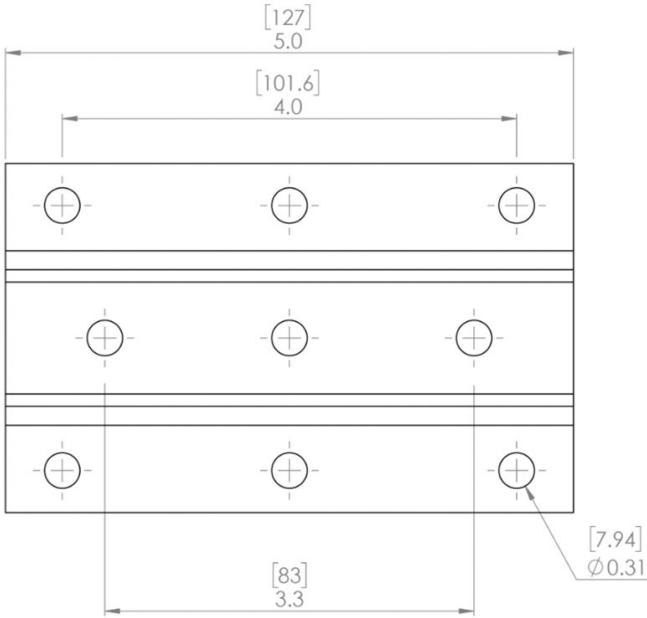
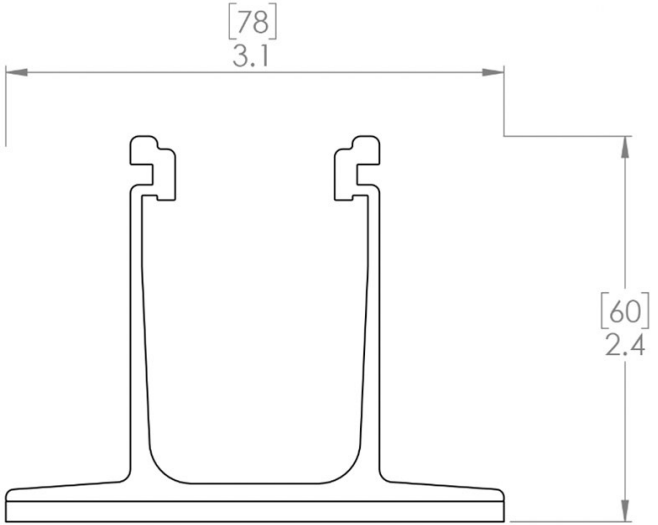
- / 5" MiniRail design eliminates long extruded rails
- / Kit includes MiniRail Comp and 4 screws
- / Use 4 screws for deck attachment
- / Can also be installed into rafter using only 2 screws
- / Self-tapping and self-sealing screws included
- / Low profile to the roof

TECHNICAL DATA

	MiniRal Comp
Roof Type	Composition shingle
Material	High grade aluminum, high corrosion resistance stainless steel screws
Flexibility	Modular construction, suitable for any system size, height adjustable
PV Modules	For all common module types
Module Orientation	Portrait and landscape
Roof Connection	Self-drilling screw to rafter or deck
Certifications	UL 2703, ASCE 7-16, TAS 100(A) Wind Driven Rain
Warranty	25 years

DIMENSIONS

Units: [mm] in





MiniRail Comp

Part Number	Description
4000246	K2 MiniRail Comp 2.0 Kit, Dark



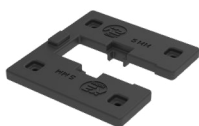
Cross Clamp

Part Number	Description
4000145	K2 Cross Clamp Set, Dark



Yeti Clamp

Part Number	Description
4000050-B	Yeti Clamp 2.0, Set



Leveling Block

Part Number	Description
4000303	K2 Module Leveling Block, 5mm



Bonding & Grounding

Part Number	Description
4000354	Dynobond 8"
4000960	ILSCO Lug, SGB-4
4000083	MLPE, Module Frame Mount, Kit

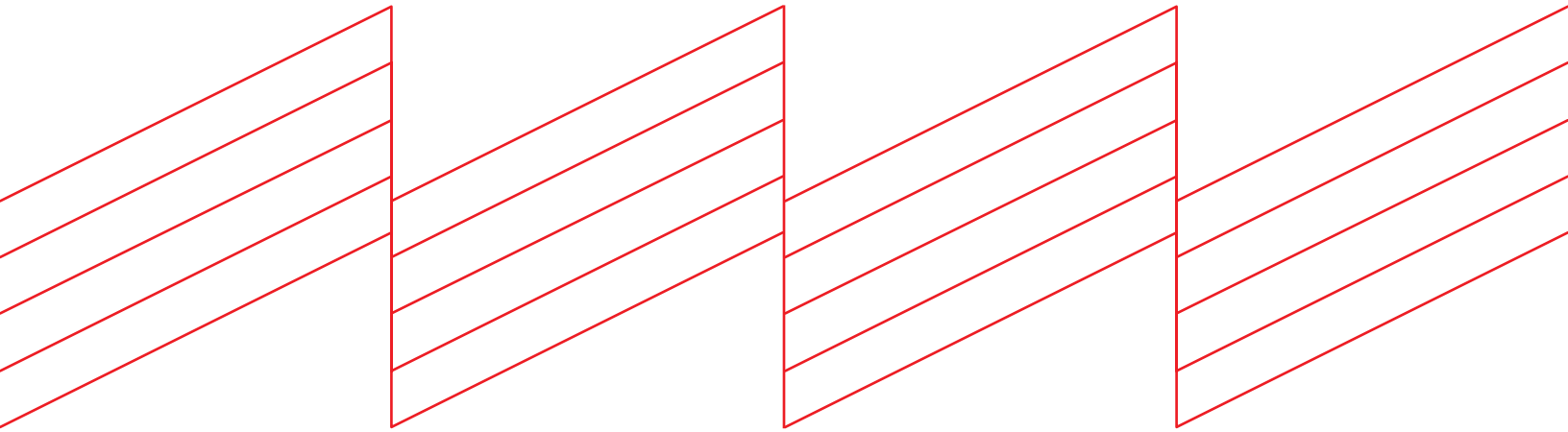


MiniRail Cap

Part Number	Description
4000250	MiniRail Cap



Connecting Strength



K2 Systems, LLC

4665 North Ave. Suite I • Oceanside, CA 92056 •
USA +1.760.301.5300 • infous@k2-systems.com
www.k2-systems.com/en-us

MiniRail Comp Data Sheet V1 | 0424 • Subject to change
Product illustrations are exemplary and may differ from the original.