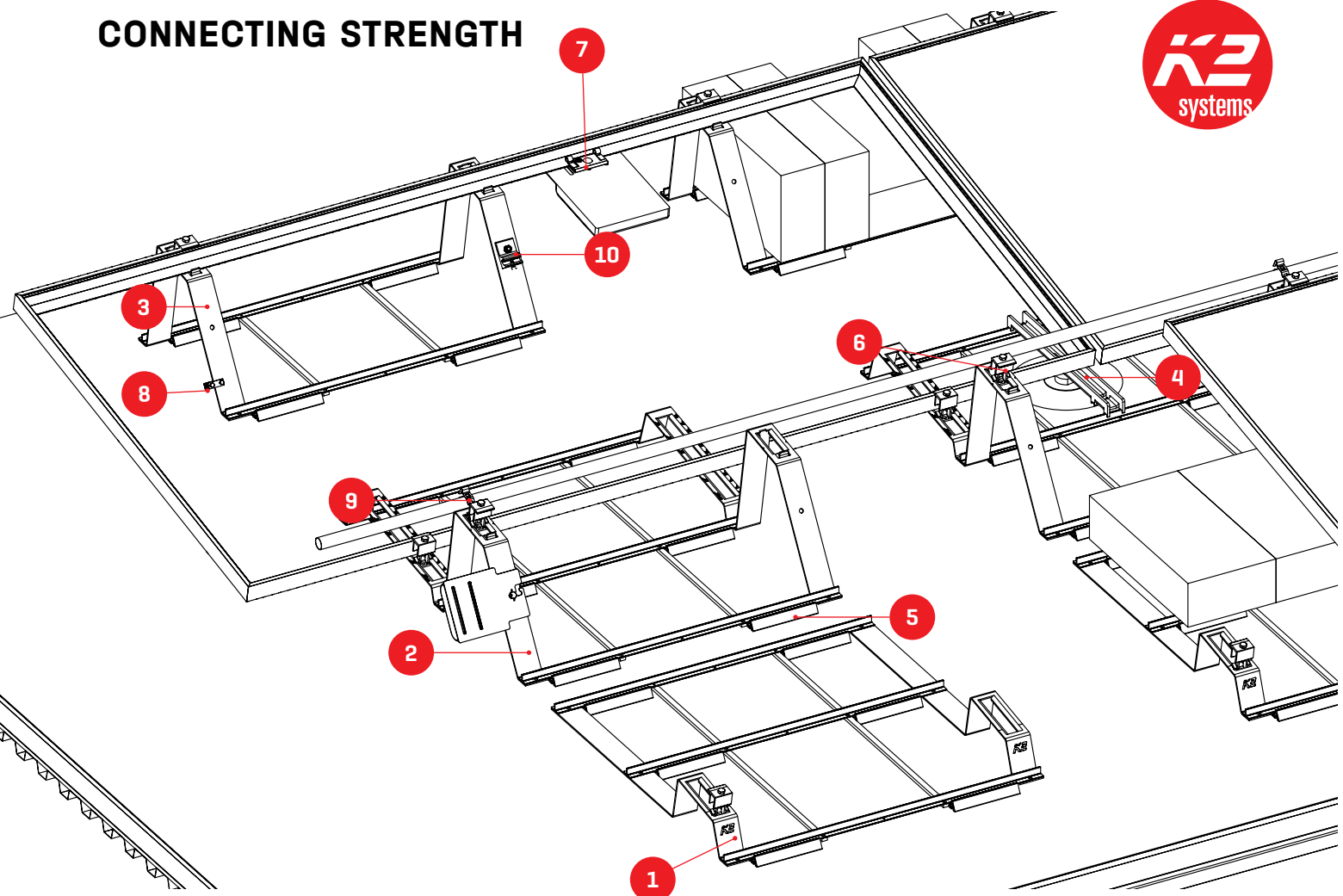


CONNECTING STRENGTH

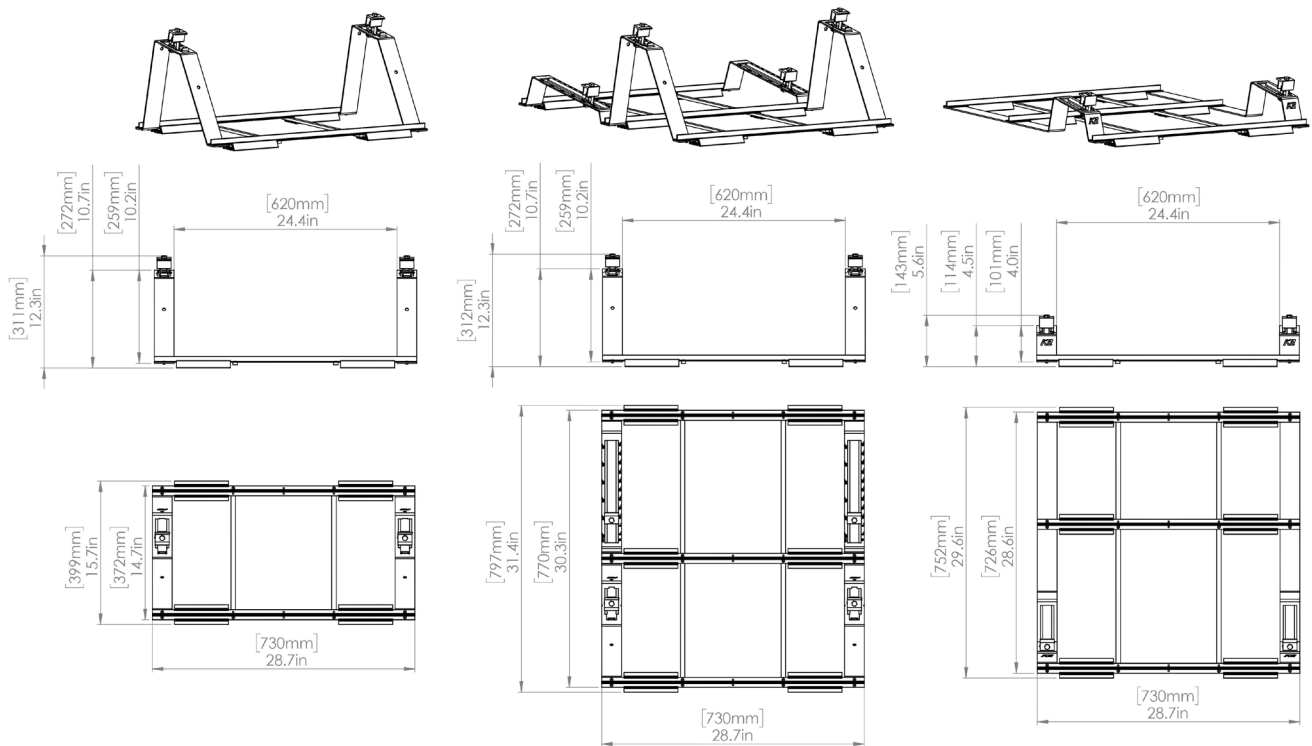


The South Face System

TECHNICAL SHEET

Item Number	Description	Part Number
1	South Face Valley	4000158
2	South Face Ridge	4000192
3	South Face Summit	4000159
4	South Face Anchor Bracket	4000194
5	South Face Mat/Spacer Pad	4000193
6	K2 End Clamp Set, Mill/K2 End Clamp Set, Dark	4000197, 4000233
7	MLPE Module Frame Mount	4000083
8	ILSCO Lug	4000960
9	SF, K2 Conduit Clamp, Kit	4000278
10	Everest Ground Lug, 13mm Hex Set	4000006-H

Units: [mm] in



Technical Data

The South Face System	
Roof Type	Flat roof: TPO, Bitumen, EPDM, Concrete
Material	6000 Series Aluminum, Zinc Aluminum Magnesium Coated Structural Steel
Flexibility	Adjustable interrow spacing 8-18"
PV Modules	60 cell, 72 cell, 120 cell, 144 cell
Module Orientation	Portrait [5.5-6.5 degrees] or landscape [10 degrees]
Roof Connection	Ballasted; optional anchors compatible with all major anchors
Structural Validity	IBC and IRC compliant
Maximum allowable uplift force [with anchor]	300kg
Maximum allowable uplift force [without anchor]	Testing TBD
Maximum allowable snow load	See module manufacturer guidelines
Wind Tunnel Testing	Compliant with ASCE 7-16, 7-10 and 7-05, SEAOC PV2
Warranty	25 years