

Alignment Guides

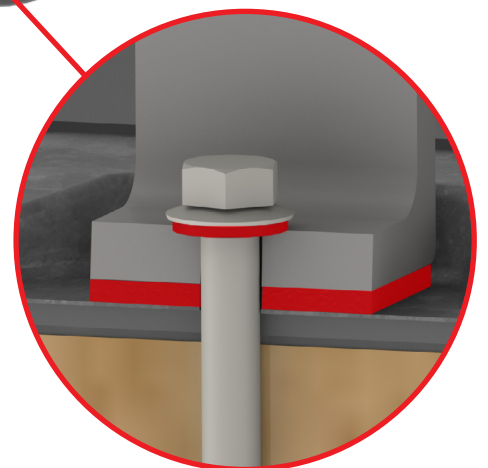
- ▶ Easily align flashing with chalk line
- ▶ Ensures solid rafter connection

K2 Flash Water Shield

- ▶ Adds rigidity to flashing
- ▶ Deflects water away from penetration

Watertight Seal

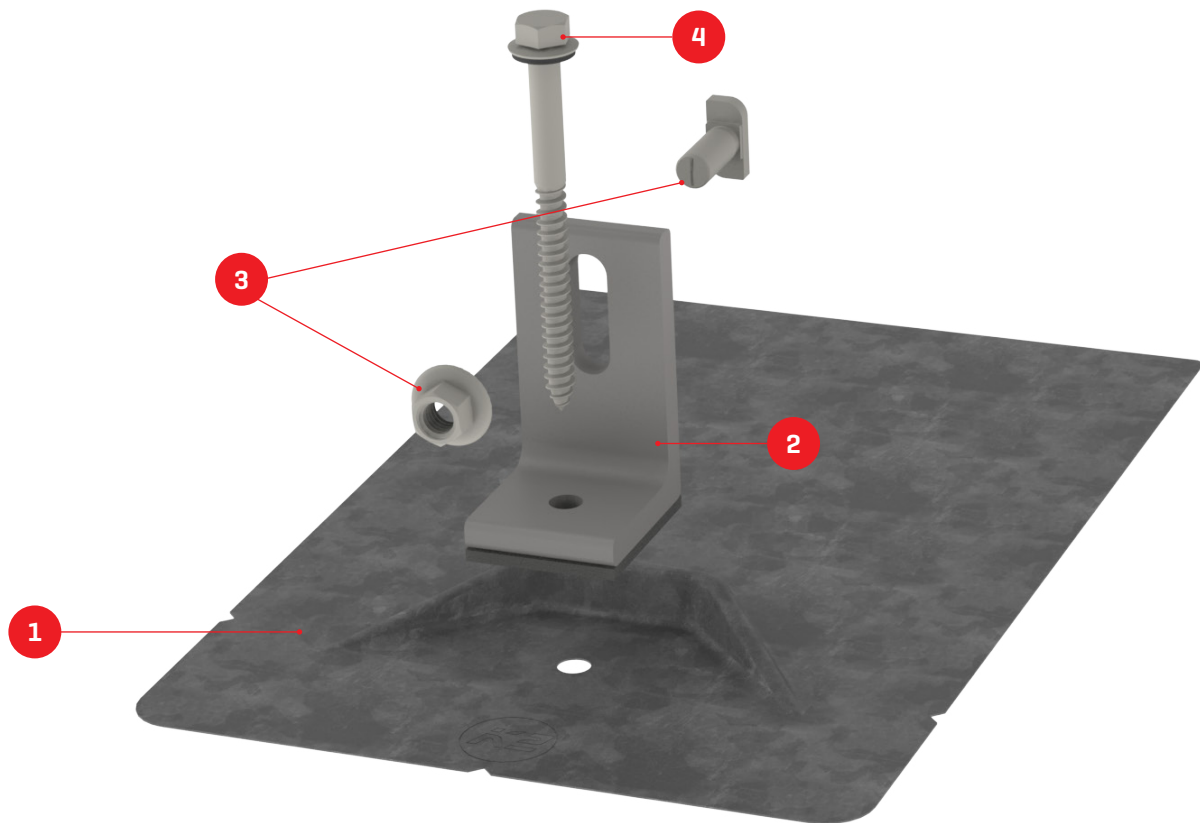
- ▶ EPDM sealing washer on lag bolt
- ▶ EPDM gasket seals L-Foot-Flashing connection



K2 Flash Comp Kit

TECHNICAL SHEET

PRODUCT FEATURES



Item Number	Description	Part Number
1	K2 Flash Comp Flashing	4000156 K2 Flash Comp Kit, Mill
2	K2 Flash L-Foot	4000157 K2 Flash Comp Kit, Dark
3	T-Bolt & Hex Nut	
4	5/16" Lag Screw w/ EPDM Washer	



TECHNICAL DATA

	K2 Flash Comp Kit
Roof Type	Composition/asphalt shingle
Flashing Material	Galvalume (Mill) Painted galvalume (Dark)
L-Foot Material	Aluminum
Hardware Material	Stainless steel
Finish	Mill and Dark
Roof Connection	5/16" x 3" SS Lag Screw
Compatibility	CrossRail 44-X, 48-X, 48-XL, 80
Maximum Allowable Uplift	715lbs
Maximum Allowable Downforce	705lbs
Maximum Allowable Shear	400lbs
Water Proof Testing	Water seal tested to UL 441 Section 27 rain test TAS 100-95 wind driven rain test Full submersion water test
Structural Testing	ASTM D 1761-12
Bonding	UL 2703 Listed L-Foot
Box/Kit Quantity	20