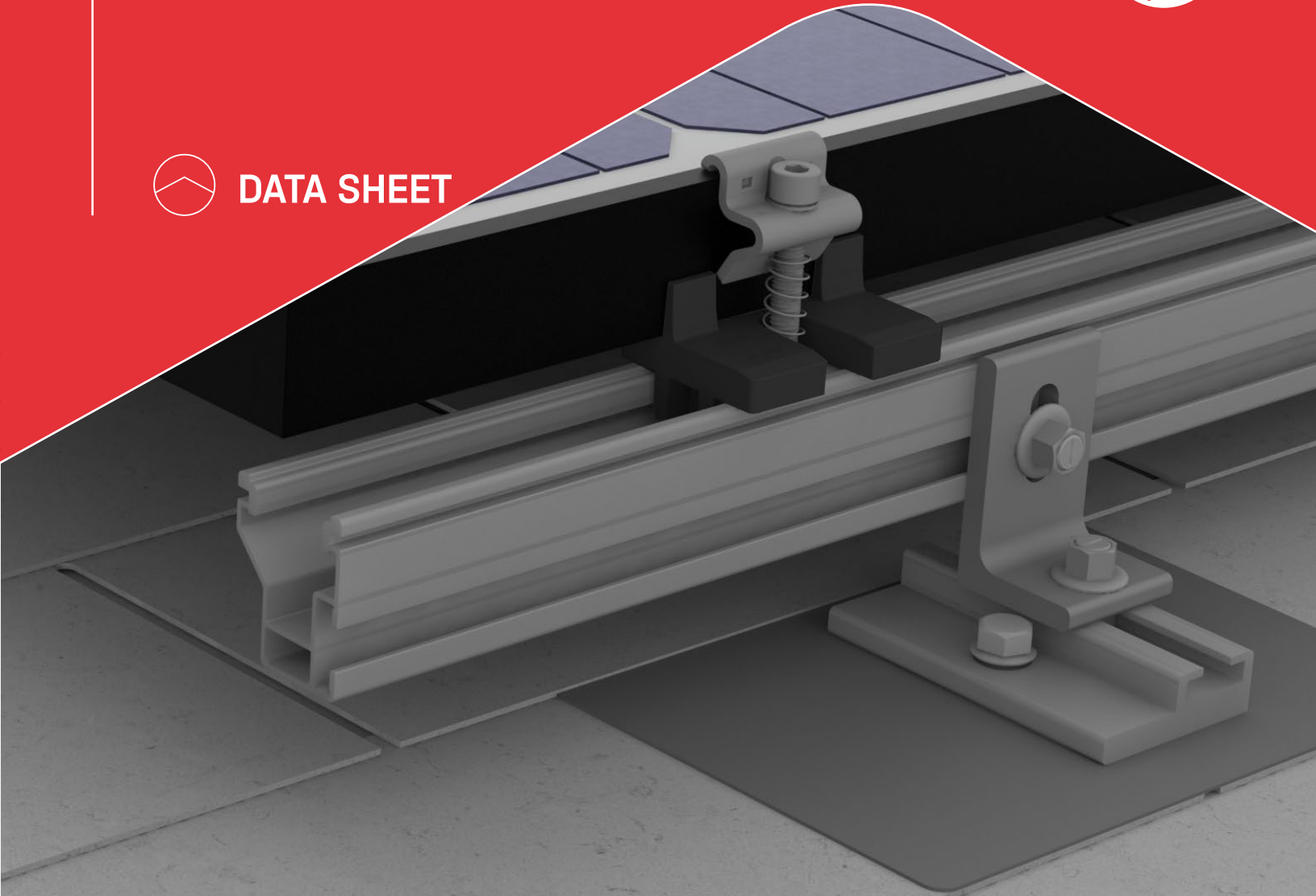


# CrossRail End Clamp



DATA SHEET

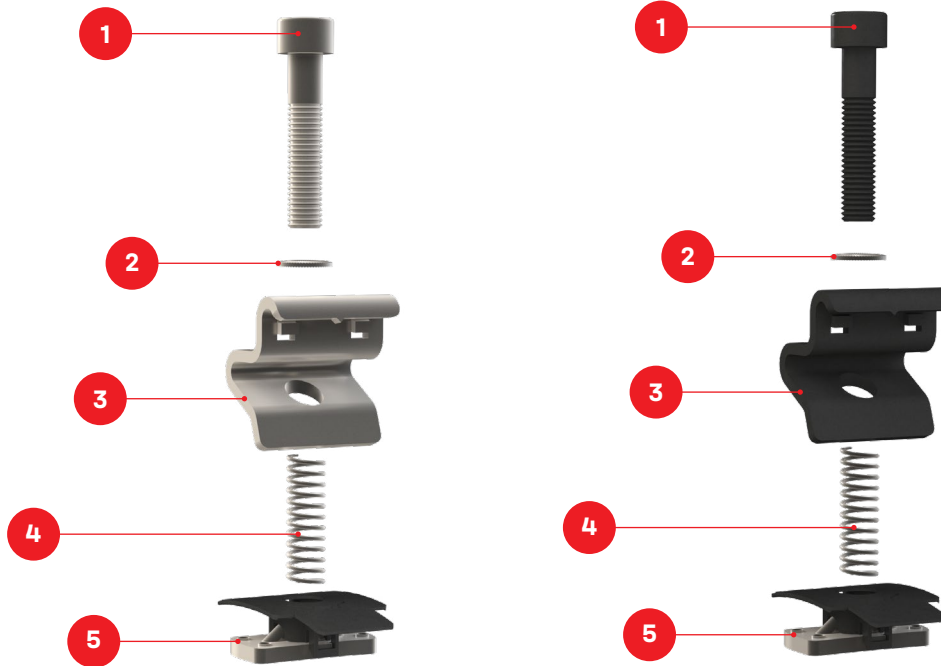


## PRODUCT FEATURES

- / Standard end clamp compatible with all CrossRail systems
- / One handed and one tool installation
- / Secures wires in rail channel
- / MK3 technology provides highest rail engagement
- / Available in mill and dark finishes



# TECHNICAL DATA



Item Number	Description	Part Number
1	Allen Bolt M8×50, SW6 Cap Head Screw	4000090   CR EC Silver, 30-40mm 4000091   CR EC Dark, 30-40mm
2	Lock Washer S8 13×8.4×8mm SS	4000092   CR EC Silver, 40-47mm 4000093   CR EC Dark, 40-47mm
3	End Clamp Top	
4	Clamp Spring, 32.7mm Length	
5	MK3 Slot Nut	

CrossRail End Clamp	
Scope of application	Used with all of our CrossRail based systems
Fastening type / Roof fixture	Clamp
Module orientation	Portrait or landscape
Compatible module frame size	30-47mm
Material	Stainless steel

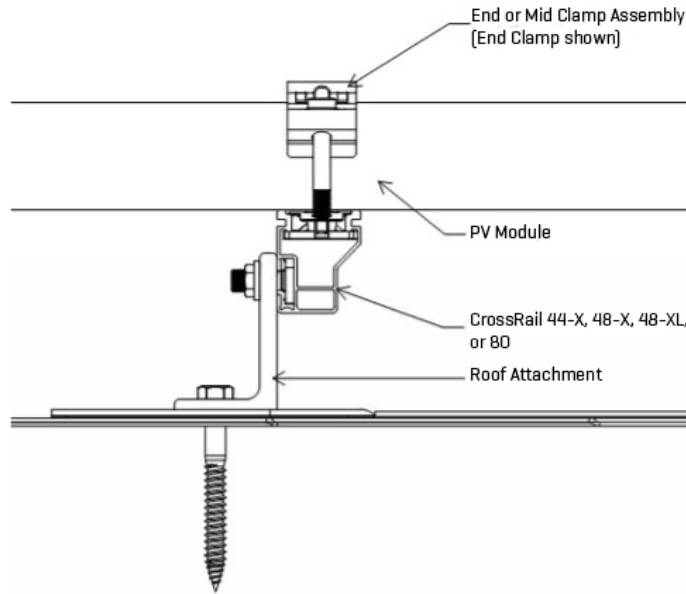
# Allowable Loading on Top-Down Mid and End Clamps



## Clamp Assemblies

K2 module clamps are composed of three main structural parts:

- / MK3 or MK2 Slot Nut
- / M8 Bolt
- / Stainless Steel Mid or End Clamp Components (Aluminum End Clamp Options Available)



## Testing Methodology

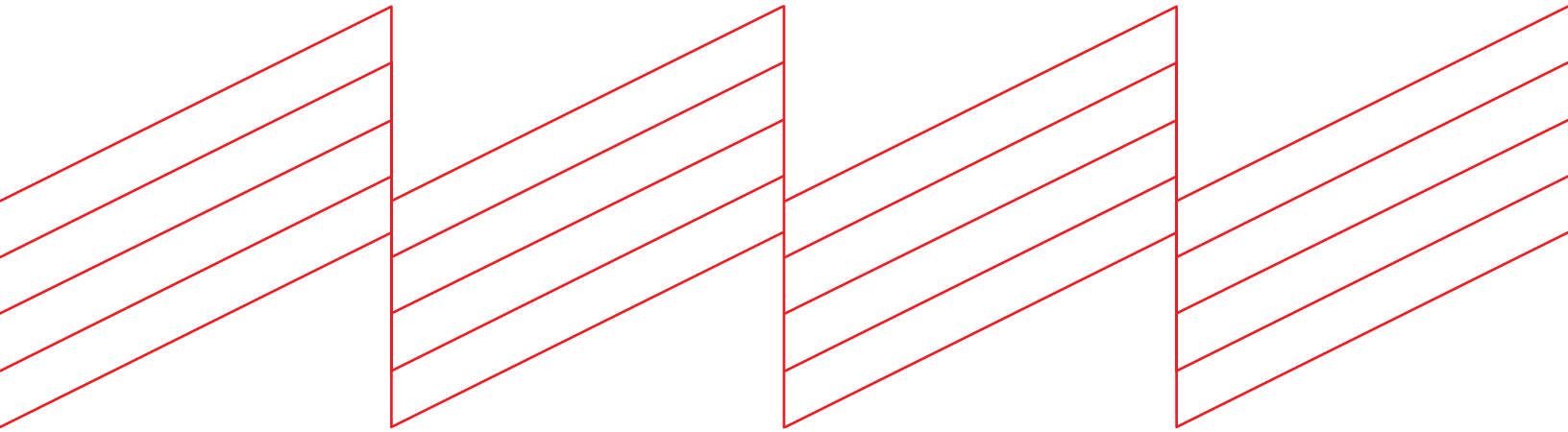
Clamp assemblies were mechanically tested for pullout forces using a universal testing machine. The clamps were installed in a CrossRail channel in a similar assembly shown in the image above and torqued down to their appropriate torque specifications, which can be found in our assembly guides located at [www.k2-systems.com](http://www.k2-systems.com).

With factors of safety considered, the allowable uplift loads for each clamp are as follows:

- |                            |   |         |
|----------------------------|---|---------|
| / CrossRail MC, SS UL2703+ | - | 900 lbs |
| / End Clamp UL 2703, SS    | - | 355 lbs |
| / End Clamp (Aluminum)     | - | 635 lbs |



# Connecting Strength



## **K2 Systems, LLC**

4665 North Ave. Suite I • Oceanside, CA 92056 •  
USA +1.760.301.5300 • [infous@k2-systems.com](mailto:infous@k2-systems.com)  
[www.k2-systems.com/en-us](http://www.k2-systems.com/en-us)

## **Everest Solar Systems S de RL de CV**

Calle Coral 2628 Int. 1 • Col. Residencial  
Victoria, CP 44560 • Guadalajara, Jal. • México  
+52.33.3575.9380 • [info@k2-systems.mx](mailto:info@k2-systems.mx)  
[www.k2-systems.com/es-mx](http://www.k2-systems.com/es-mx)