

MLPE, Module Frame Mount Kit

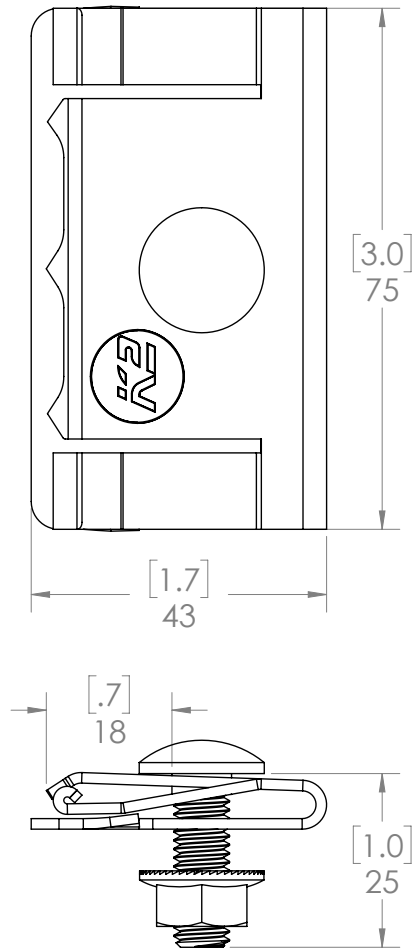
TECHNICAL SHEET

Item Number	Description	Part Number
1	Mushroom Head Bolt, M8-1.25x25mm	4000083 MLPE Module Frame Mount Kit
2	Universal Module Frame	
3	Hex Flange Nut, Serrated, SS M8	

Technical Data

	MLPE Module Frame Mount Kit
Material	Stainless steel
Finish	Mill
Connection	Module frame
Certification	UL 2703
Compatibility	For micro inverters and optimizers, compatible with all common module frame sizes

General Dimensions



[Inches]
Millimeters