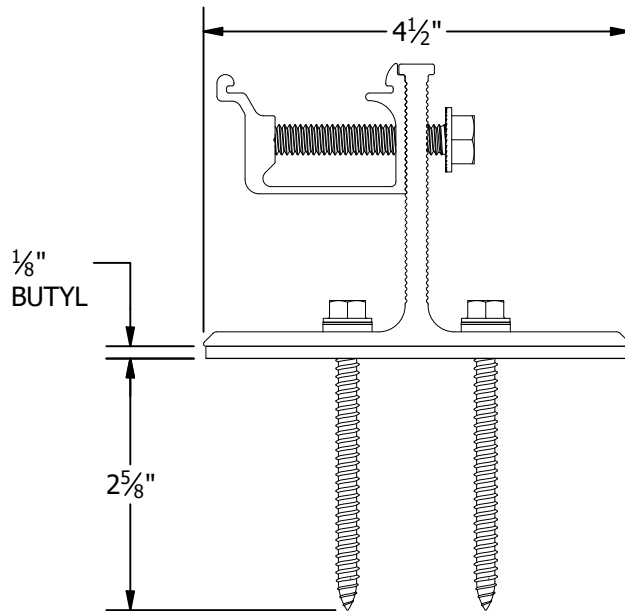
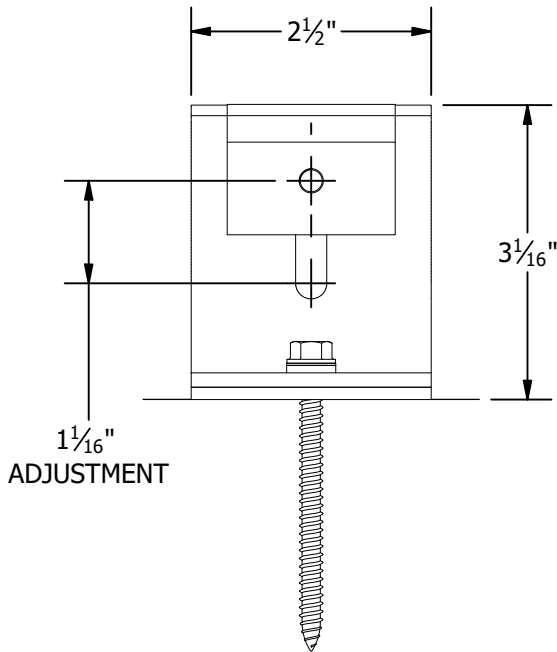
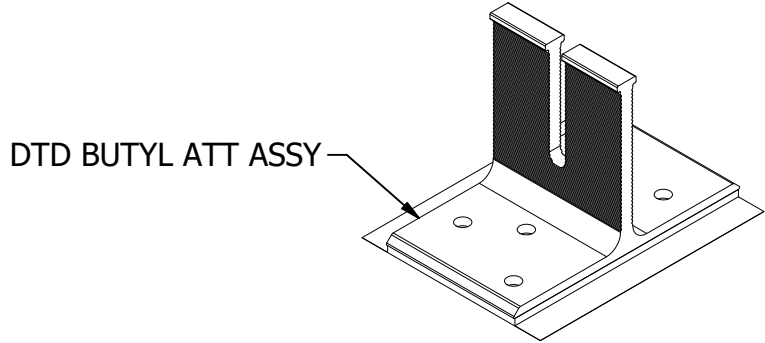
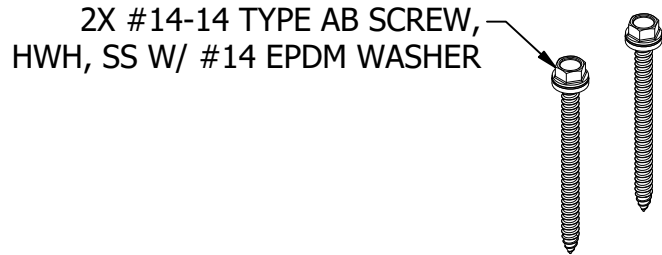
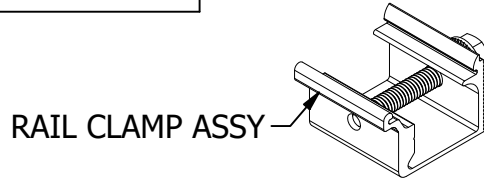
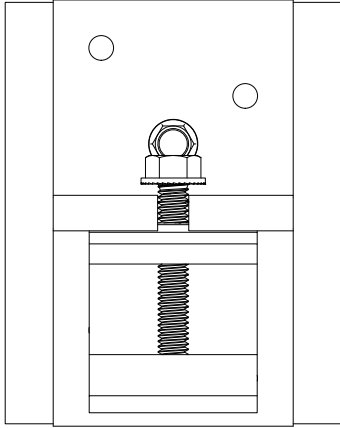


PART # TABLE	
P/N	DESCRIPTION
SHBUTYLM2	STRONGHOLD BUTYL ATT KIT #14S MILL
SHBUTYLD2	STRONGHOLD BUTYL ATT KIT #14S DARK



1411 BROADWAY BLVD. NE  
 ALBUQUERQUE, NM 87102 USA  
 PHONE: 505.242.6411  
 WWW.UNIRAC.COM

PRODUCT LINE: NXT UMount

DRAWING TYPE: PARTS

DESCRIPTION: SH BUTYL ATTACHMENT

REVISION DATE: 7/14/2023

DRAWING NOT TO SCALE  
 ALL DIMENSIONS ARE  
 NOMINAL

PRODUCT PROTECTED BY  
 ONE OR MORE US PATENTS  
 LEGAL NOTICE

NU-A10-1

SHEET