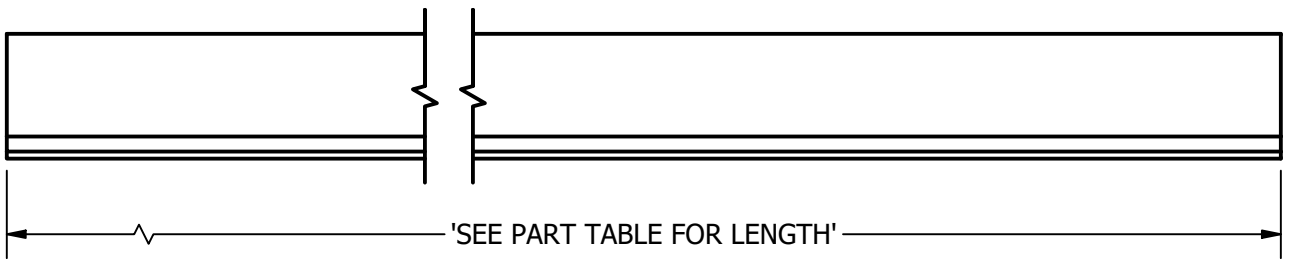
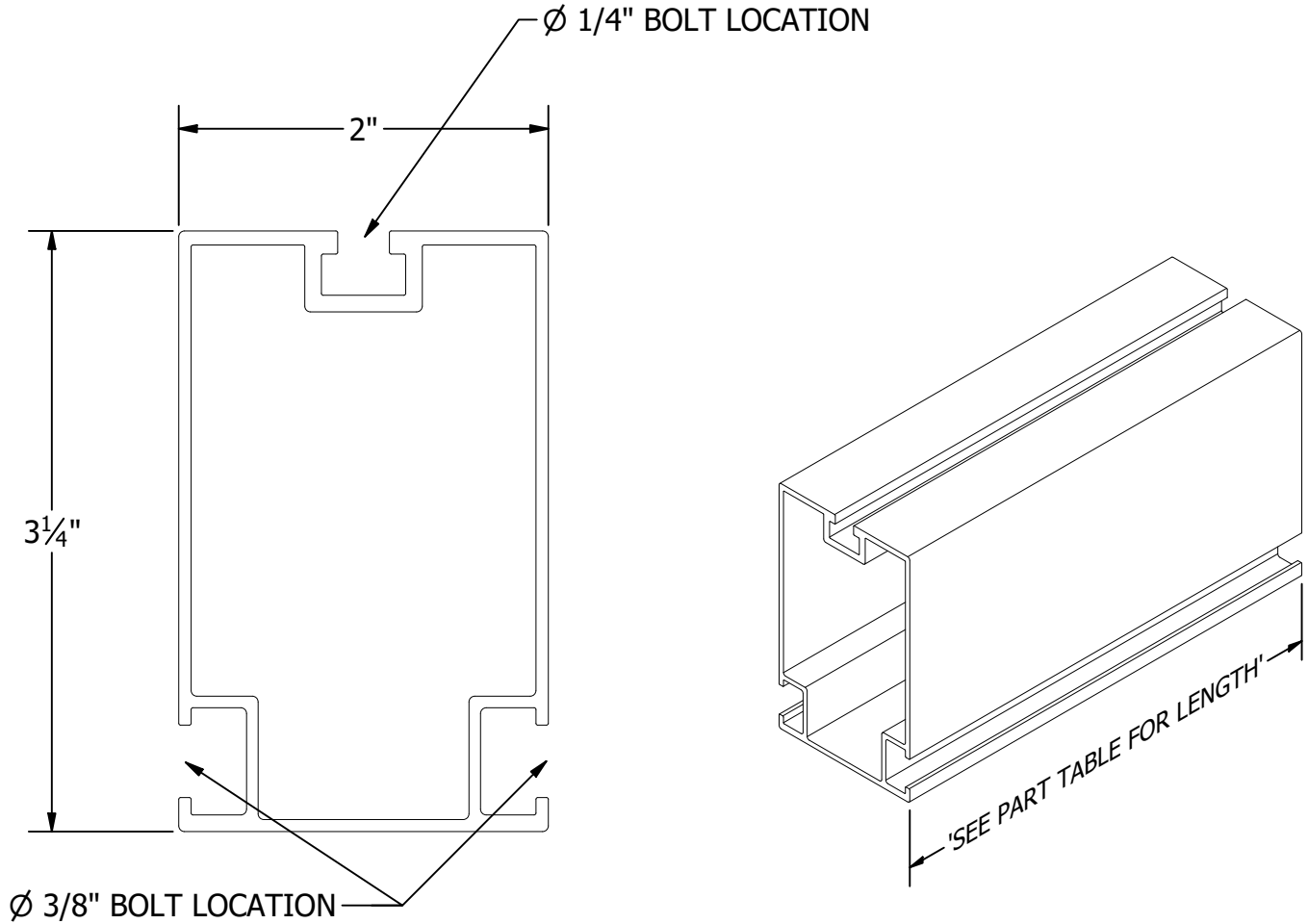


PART # TABLE		
P/N	DESCRIPTION	LENGTH
411168M	GFT RAIL 168" MILL	14'
411246M	GFT RAIL 246" MILL	20'-6"



**UNIRAC**<sup>®</sup>

1411 BROADWAY BLVD. NE  
ALBUQUERQUE, NM 87102 USA  
PHONE: 505.242.6411  
WWW.UNIRAC.COM

PRODUCT LINE:	GFT
DRAWING TYPE:	PART DETAIL
DESCRIPTION:	GFT RAIL
REVISION DATE:	4/2/2024

DRAWING NOT TO SCALE  
ALL DIMENSIONS ARE  
NOMINAL

PRODUCT PROTECTED BY  
ONE OR MORE US PATENTS

LEGAL NOTICE

GFT-P01

SHEET