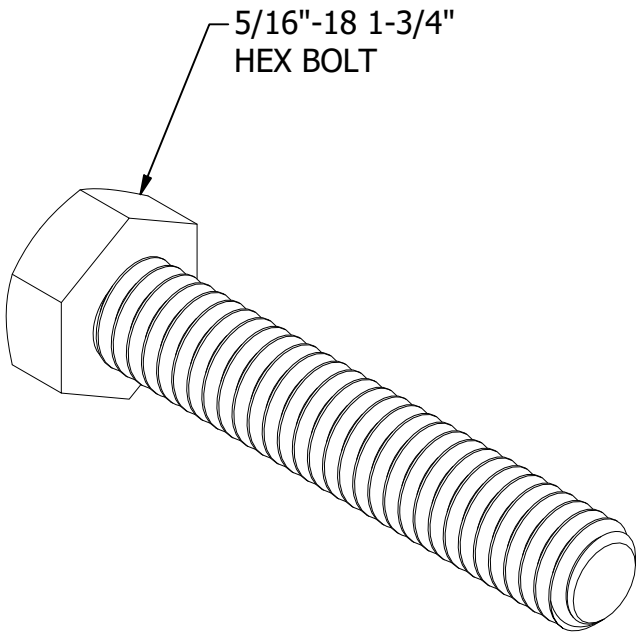
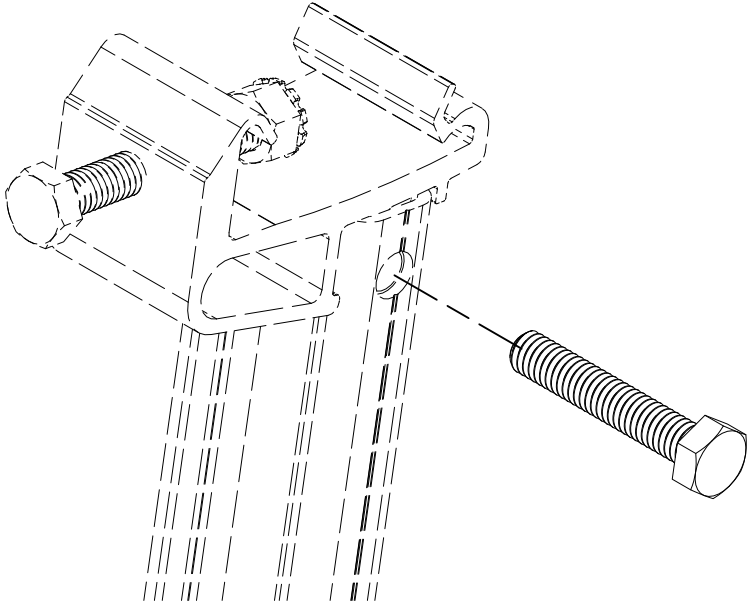


ASSEMBLY # TABLE	
P/N	DESCRIPTION
370022	RM10 EVO MODULE CLIP PIN BOLT



5/16"-18 1-3/4"
HEX BOLT

UNIRAC[®]
 1411 BROADWAY BLVD. NE
 ALBUQUERQUE, NM 87102 USA
 PHONE: 505.242.6411
 WWW.UNIRAC.COM

PRODUCT LINE:	RM10 EVO
DRAWING TYPE:	PARTS
DESCRIPTION:	MODULE CLIP PIN BOLT
REVISION DATE:	12/10/2021

DRAWING NOT TO SCALE
 ALL DIMENSIONS ARE
 NOMINAL

PRODUCT PROTECTED BY
 ONE OR MORE US PATENTS

LEGAL NOTICE

EVO-A05
 SHEET