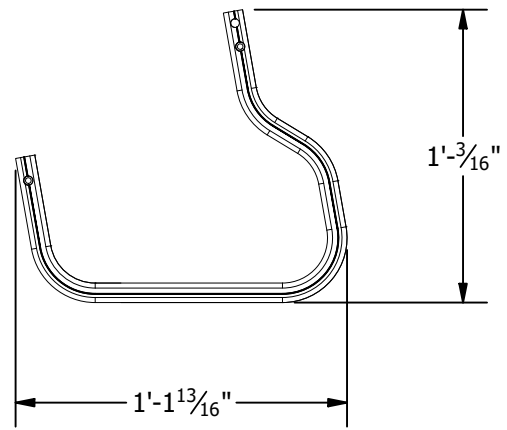
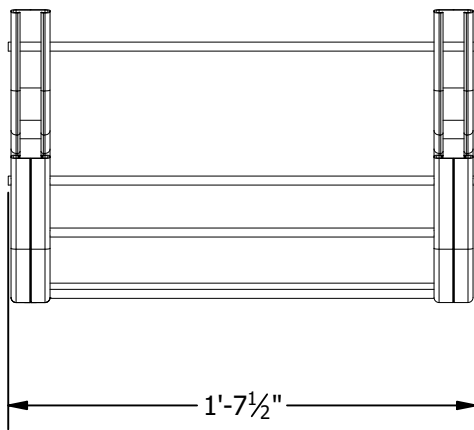
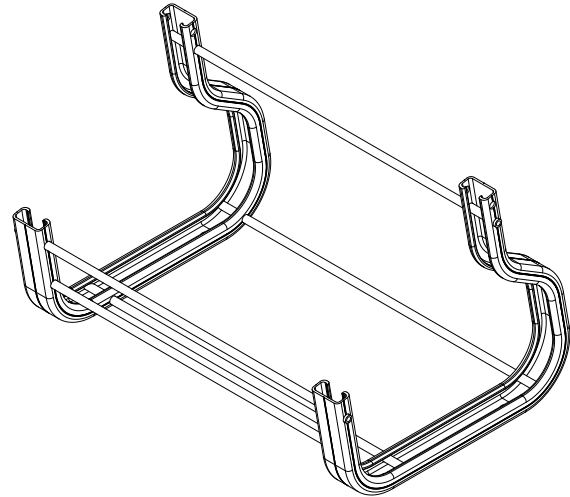
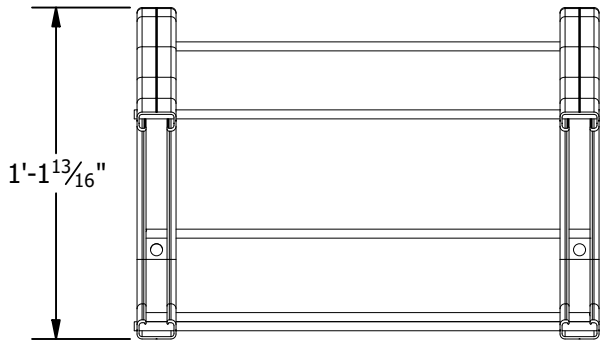


ASSEMBLY # TABLE

P/N	DESCRIPTION
370011	RM10 EVO NORTH ROW BAY



1411 BROADWAY BLVD. NE
 ALBUQUERQUE, NM 87102 USA
 PHONE: 505.242.6411
 WWW.UNIRAC.COM

PRODUCT LINE:	RM10 EVO
DRAWING TYPE:	PARTS ASSEMBLY
DESCRIPTION:	NORTH BAY ASSEMBLY
REVISION DATE:	12/10/2021

DRAWING NOT TO SCALE
 ALL DIMENSIONS ARE
 NOMINAL

PRODUCT PROTECTED BY
 ONE OR MORE US PATENTS
 LEGAL NOTICE

EVO-A03

SHEET