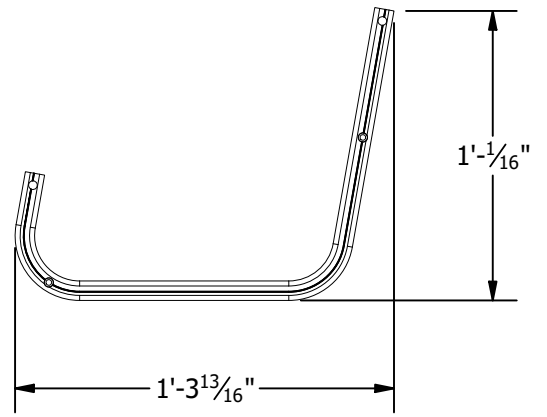
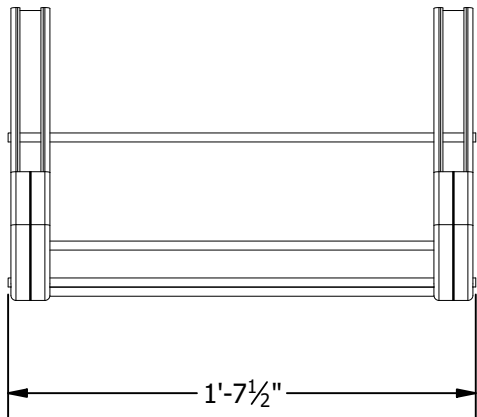
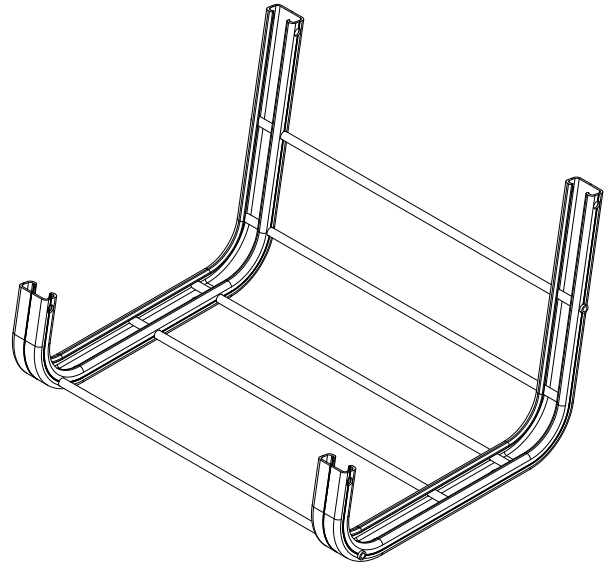
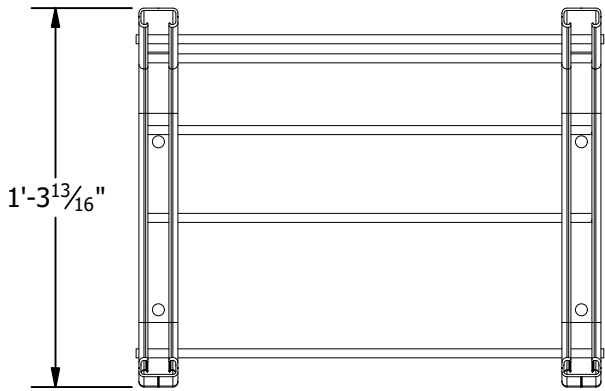


ASSEMBLY # TABLE	
P/N	DESCRIPTION
370010	RM10 EVO FIELD BAY



1411 BROADWAY BLVD. NE  
 ALBUQUERQUE, NM 87102 USA  
 PHONE: 505.242.6411  
 WWW.UNIRAC.COM

PRODUCT LINE:	RM10 EVO
DRAWING TYPE:	PARTS ASSEMBLY
DESCRIPTION:	FIELD BAY ASSEMBLY
REVISION DATE:	12/10/2021

DRAWING NOT TO SCALE  
 ALL DIMENSIONS ARE  
 NOMINAL

PRODUCT PROTECTED BY  
 ONE OR MORE US PATENTS  
 LEGAL NOTICE

EVO-A02  
 SHEET