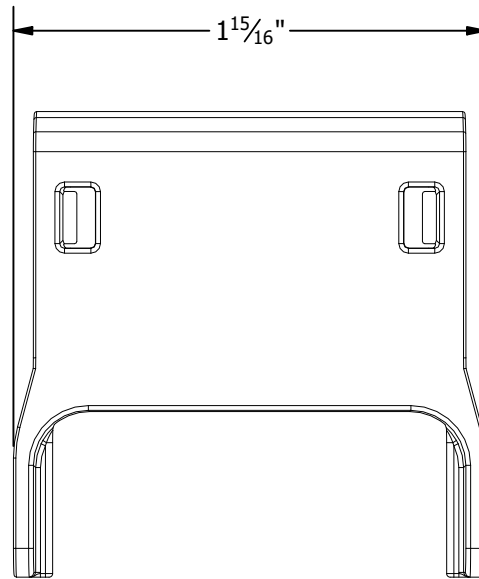
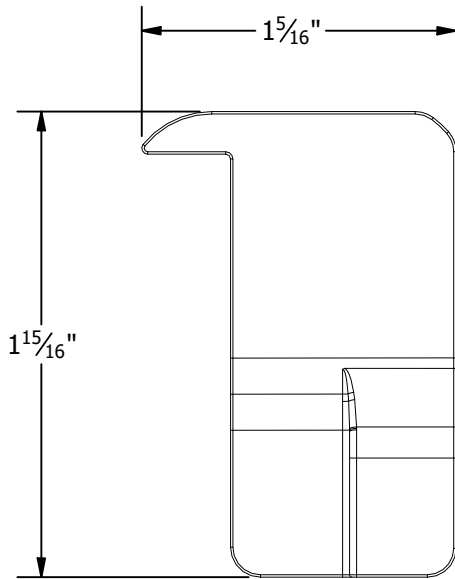
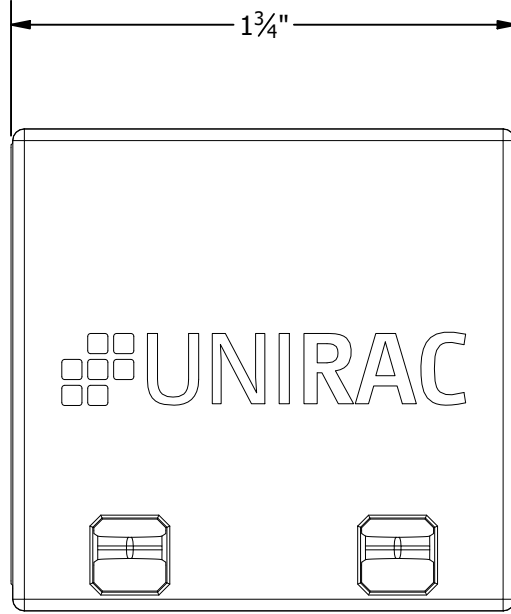
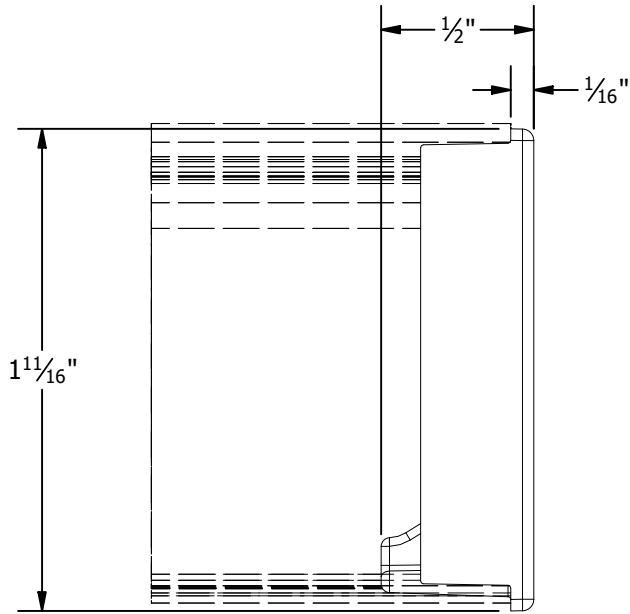


PART # TABLE	
P/N	DESCRIPTION
ENDCAPD1	NXT UMount RL & CLMP CAP KIT



1411 BROADWAY BLVD. NE  
 ALBUQUERQUE, NM 87102 USA  
 PHONE: 505.242.6411  
 WWW.UNIRAC.COM

PRODUCT LINE:	NXT UMount
DRAWING TYPE:	PARTS
DESCRIPTION:	RAIL & CLAMP CAP
REVISION DATE:	2/29/2024

DRAWING NOT TO SCALE  
 ALL DIMENSIONS ARE  
 NOMINAL

PRODUCT PROTECTED BY  
 ONE OR MORE US PATENTS  
 LEGAL NOTICE

NU-A09  
 SHEET