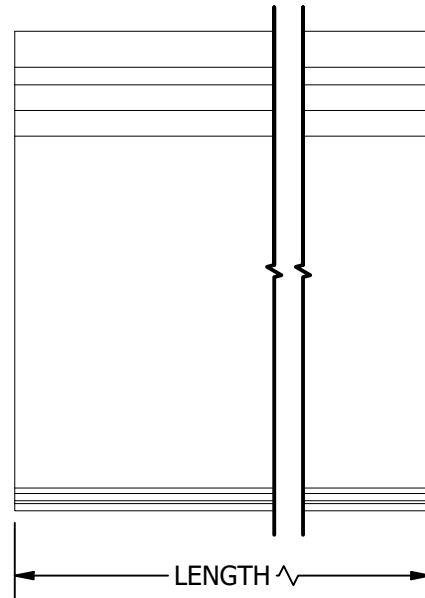
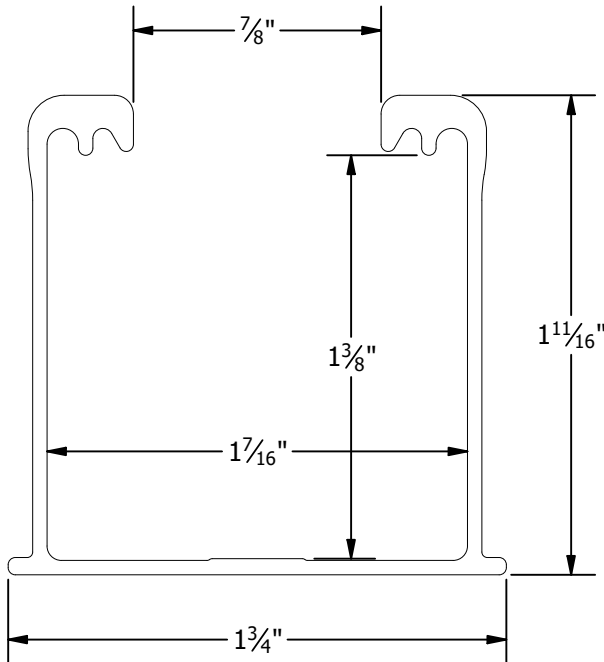
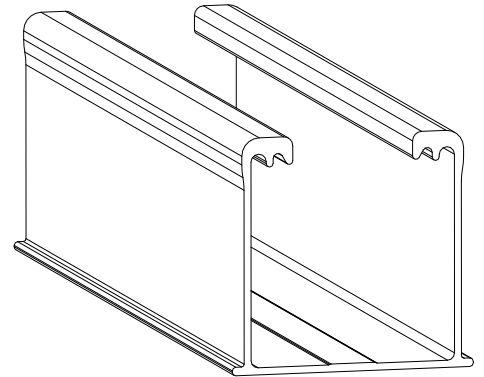


PART # TABLE		
P/N	DESCRIPTION	LENGTH
084RLM1	NXT UMOUNT RAIL 84" MILL	84"
084RLD1	NXT UMOUNT RAIL 84" DARK	84"
168RLM1	NXT UMOUNT RAIL 168" MILL	168"
168RLD1	NXT UMOUNT RAIL 168" DARK	168"
208RLM1	NXT UMOUNT RAIL 208" MILL	208"
208RLD1	NXT UMOUNT RAIL 208" DARK	208"
246RLM1	NXT UMOUNT RAIL 246" MILL	246"
246RLD1	NXT UMOUNT RAIL 246" DARK	246"
171RLM1	NXT UMOUNT RAIL 171" MILL	171.50"
171RLD1	NXT UMOUNT RAIL 171" DARK	171.50"
096RLM1	NXT UMOUNT RAIL 96" MILL	96"
096RLD1	NXT UMOUNT RAIL 96" DARK	96"
185RLM1	NXT UMOUNT RAIL 185" MILL	185"
185RLD1	NXT UMOUNT RAIL 185" DARK	185"



1411 BROADWAY BLVD. NE
 ALBUQUERQUE, NM 87102 USA
 PHONE: 505.242.6411
 WWW.UNIRAC.COM

PRODUCT LINE: NXT UMOUNT

DRAWING TYPE: PART DETAIL

DESCRIPTION: RAIL

REVISION DATE: 2/29/2024

DRAWING NOT TO SCALE
 ALL DIMENSIONS ARE
 NOMINAL

PRODUCT PROTECTED BY
 ONE OR MORE US PATENTS
 LEGAL NOTICE

NU-P01

SHEET