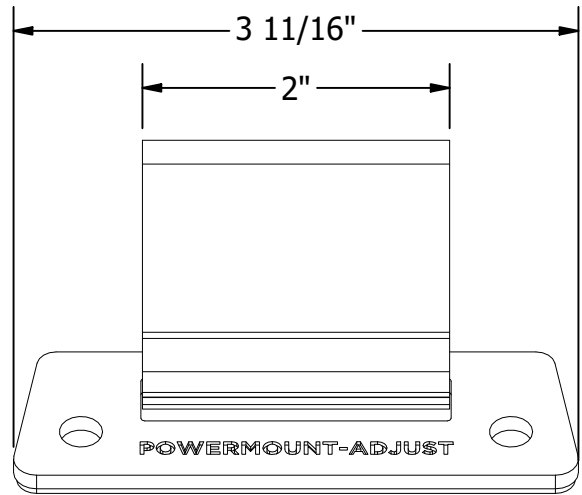
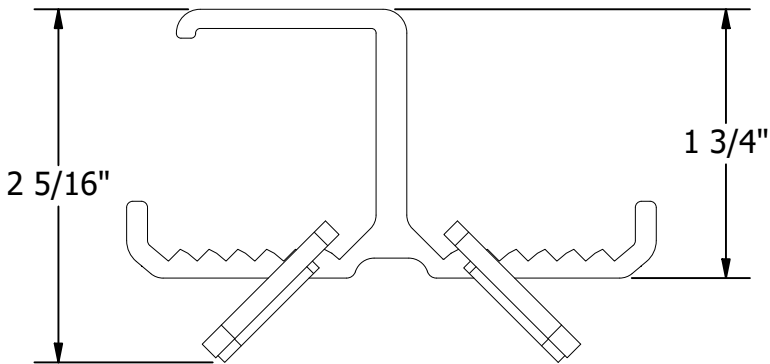
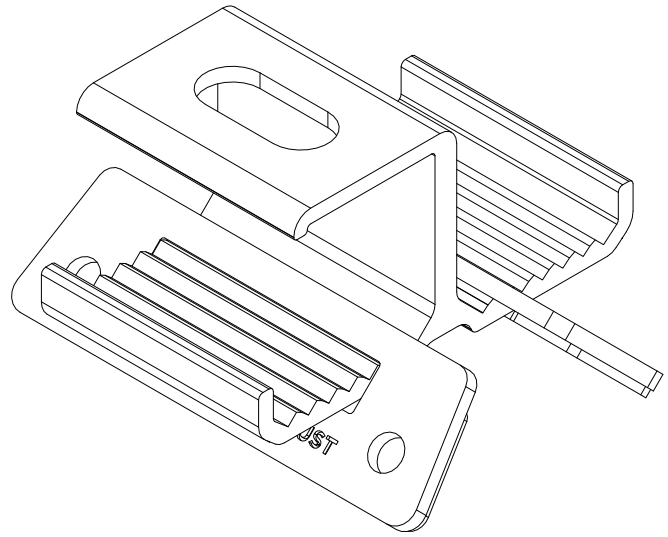
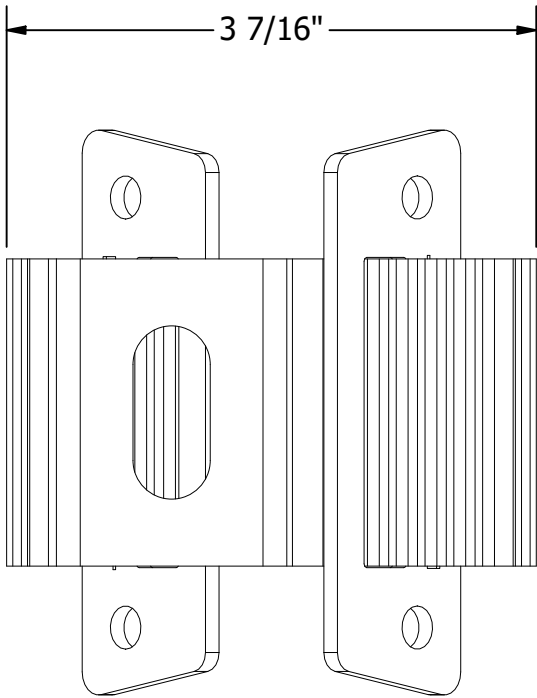


PART # TABLE	
P/N	DESCRIPTION
ES11209	PM ADJUST SLOTTED



POWERMOUNT ADJUST SLOTTED



1411 BROADWAY BLVD. NE
ALBUQUERQUE, NM 87102 USA
PHONE: 505.242.6411
WWW.UNIRAC.COM

PRODUCT LINE:	METALX
DRAWING TYPE:	PARTS ASSEMBLY
DESCRIPTION:	ROOF ATTACHMENT
REVISION DATE:	4/21/2023

DRAWING NOT TO SCALE
ALL DIMENSIONS ARE
NOMINAL

PRODUCT PROTECTED BY
ONE OR MORE US PATENTS

LEGAL NOTICE

MX-A08

SHEET