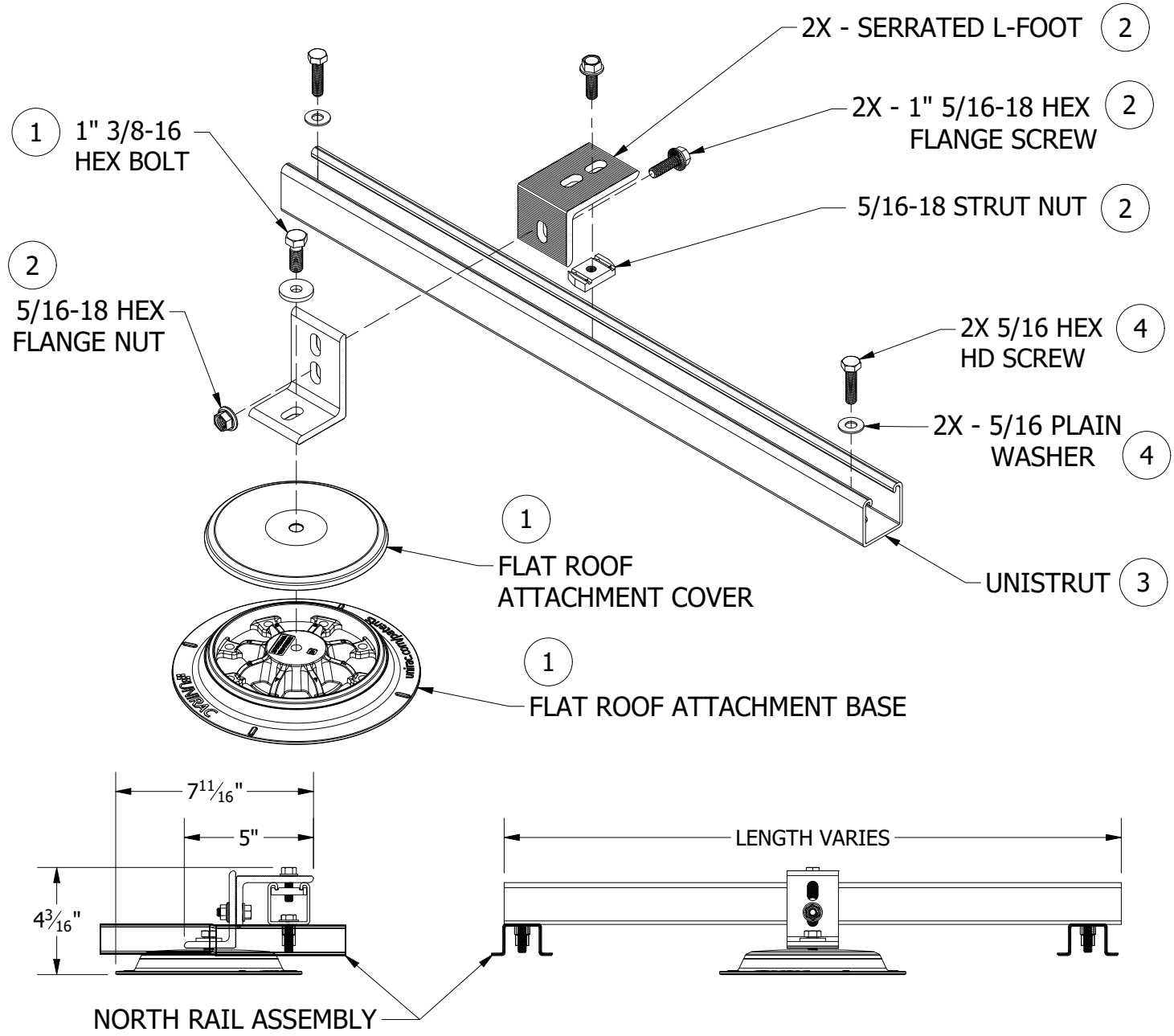


ASSEMBLY # TABLE		
ITEM	P/N	DESCRIPTION
1	310999	FLASHLOC RM KIT
2	ES10843	ECOFOOT ROOF TO STRUT HDWR KIT
3	ES20501	B22 GALVANIZED STRUT, 10'
4	360061	GRIDFLEX HRDWR KIT



UNIRAC[®]

1411 BROADWAY BLVD. NE
 ALBUQUERQUE, NM 87102 USA
 PHONE: 505.242.6411
 WWW.UNIRAC.COM

PRODUCT LINE:	GRIDFLEX
DRAWING TYPE:	ASSEMBLY
DESCRIPTION:	ATTACHMENT KIT
REVISION DATE:	8/30/2021

DRAWING NOT TO SCALE
 ALL DIMENSIONS ARE
 NOMINAL

PRODUCT PROTECTED BY
 ONE OR MORE US PATENTS

LEGAL NOTICE

GF-A08

SHEET