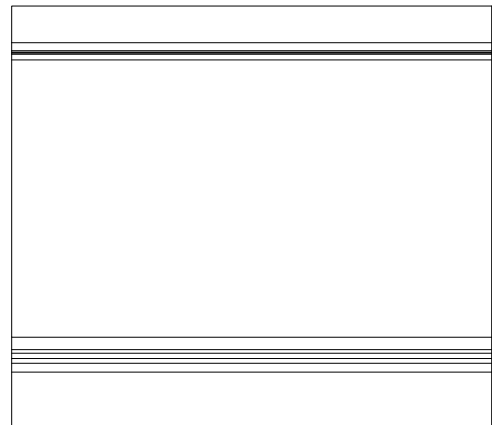
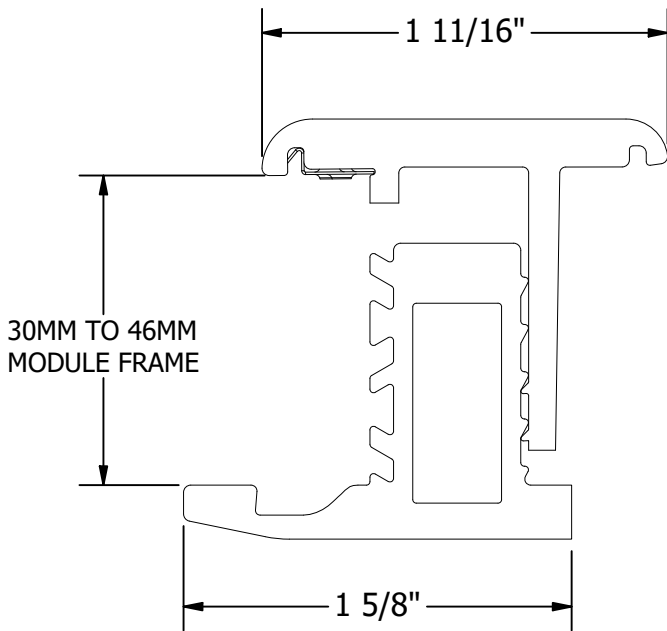
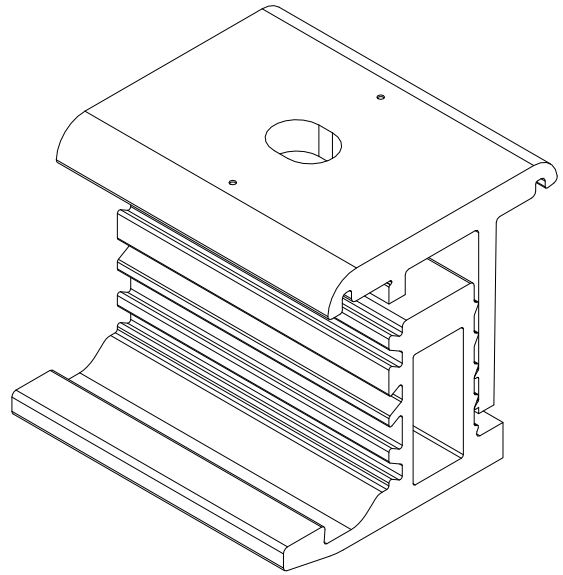
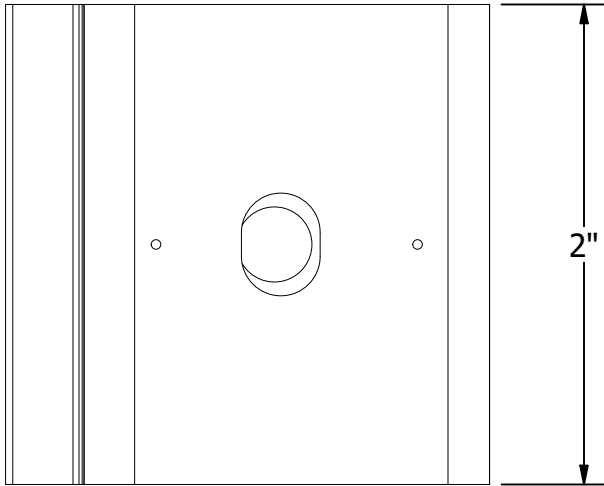


PART # TABLE	
P/N	DESCRIPTION
ES10835	METALX END 30 CLAMP



METALX END 30 CLAMP



1411 BROADWAY BLVD. NE
 ALBUQUERQUE, NM 87102 USA
 PHONE: 505.242.6411
 WWW.UNIRAC.COM

PRODUCT LINE:	METALX
DRAWING TYPE:	PARTS ASSEMBLY
DESCRIPTION:	END CLAMP
REVISION DATE:	4/21/2023

DRAWING NOT TO SCALE
 ALL DIMENSIONS ARE
 NOMINAL

PRODUCT PROTECTED BY
 ONE OR MORE US PATENTS
 LEGAL NOTICE

MX-A02
 SHEET