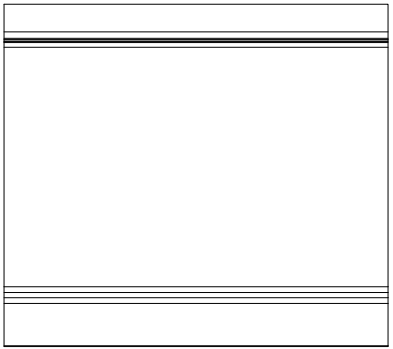
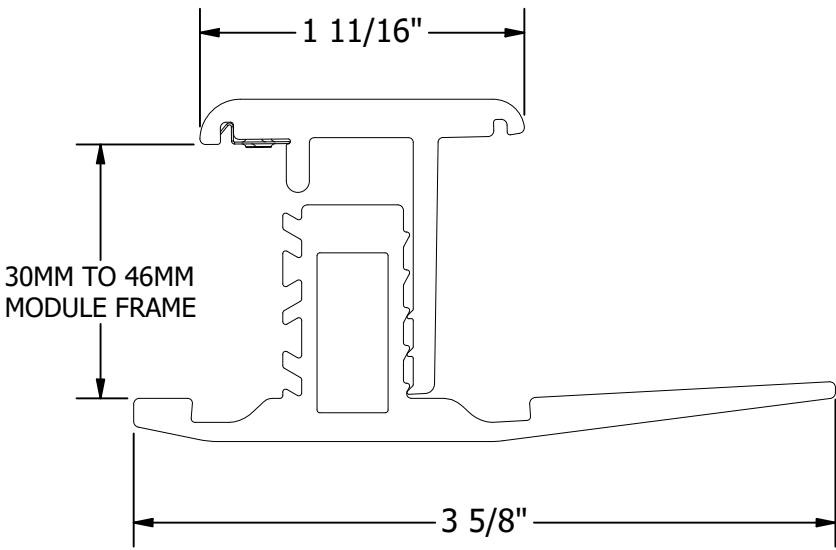
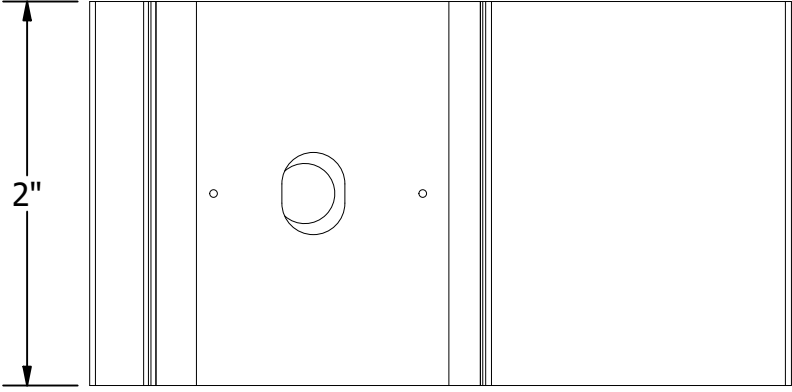
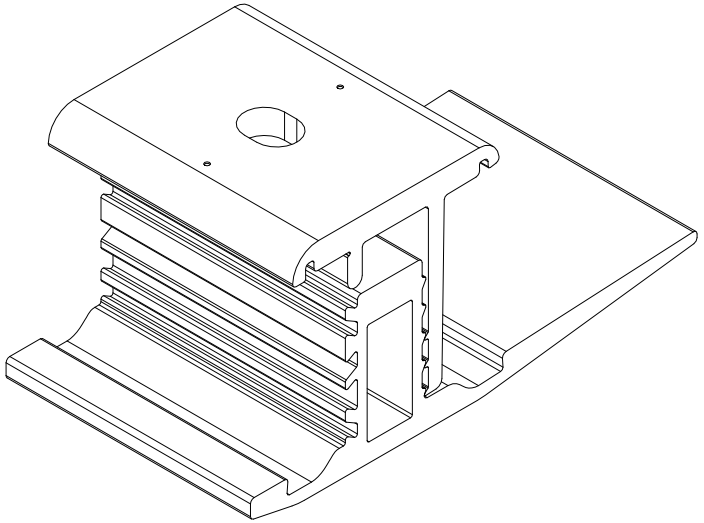


PART # TABLE	
P/N	DESCRIPTION
ES10829	METALX MID CLAMP



METALX MID CLAMP

UNIRAC
 1411 BROADWAY BLVD. NE
 ALBUQUERQUE, NM 87102 USA
 PHONE: 505.242.6411
 WWW.UNIRAC.COM

PRODUCT LINE:	METALX
DRAWING TYPE:	PARTS ASSEMBLY
DESCRIPTION:	MID CLAMP
REVISION DATE:	4/21/2023

DRAWING NOT TO SCALE
 ALL DIMENSIONS ARE
 NOMINAL

PRODUCT PROTECTED BY
 ONE OR MORE US PATENTS

LEGAL NOTICE

MX-A11

SHEET