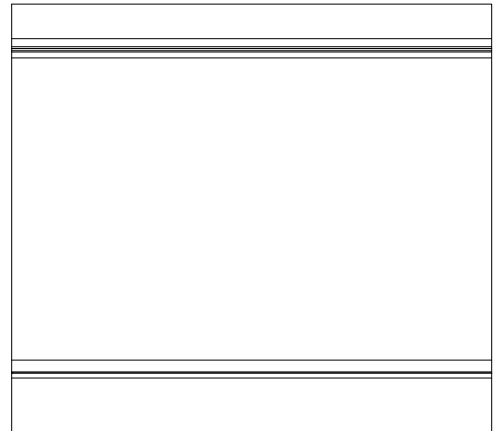
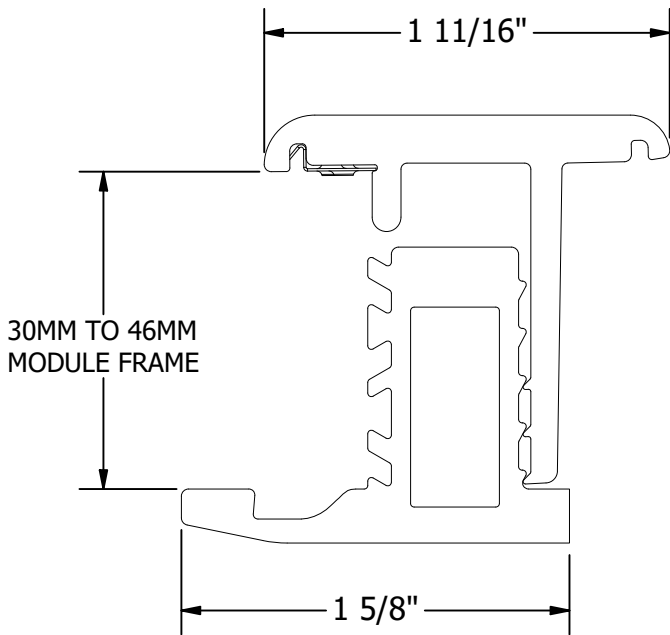
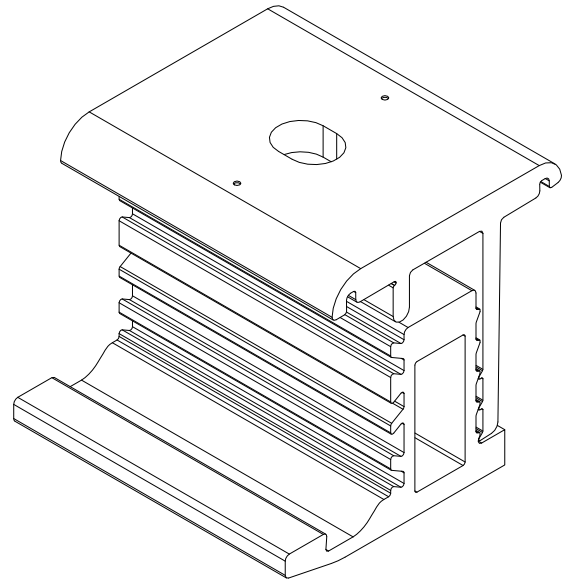
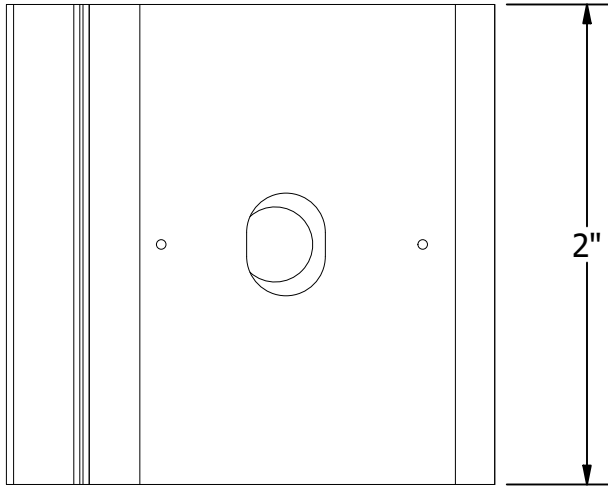


PART # TABLE	
P/N	DESCRIPTION
ES10828	METALX END CLAMP



METALX END CLAMP



1411 BROADWAY BLVD. NE  
 ALBUQUERQUE, NM 87102 USA  
 PHONE: 505.242.6411  
 WWW.UNIRAC.COM

PRODUCT LINE:	METALX
DRAWING TYPE:	PARTS ASSEMBLY
DESCRIPTION:	END CLAMP
REVISION DATE:	4/21/2023

DRAWING NOT TO SCALE  
 ALL DIMENSIONS ARE  
 NOMINAL

PRODUCT PROTECTED BY  
 ONE OR MORE US PATENTS  
 LEGAL NOTICE

MX-A10

SHEET