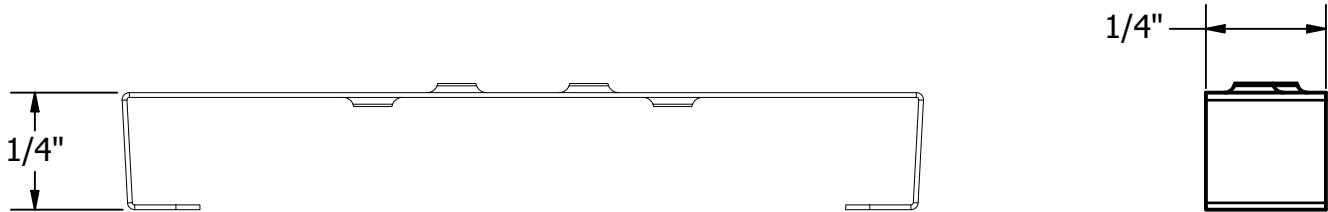
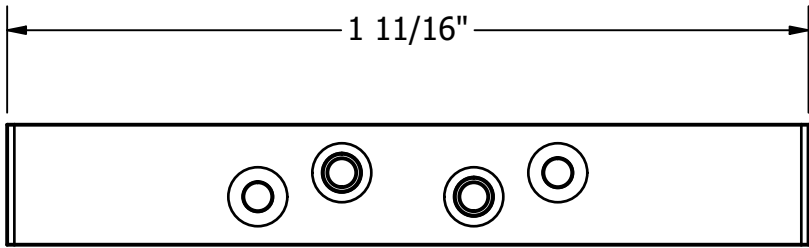
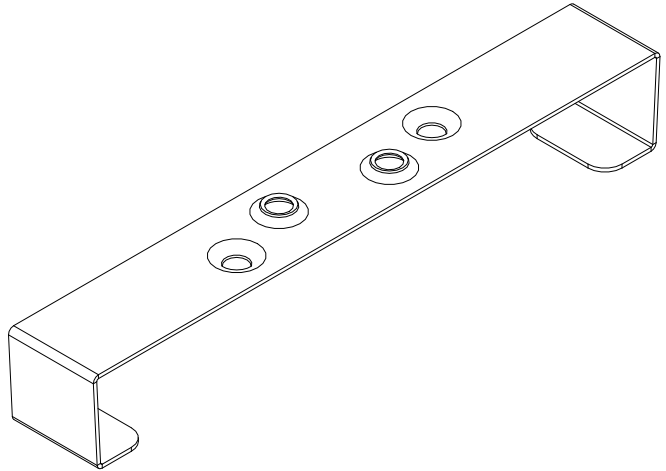


PART # TABLE	
P/N	DESCRIPTION
ES10260	ECOX ROW TO ROW BONDING CLIP



ROW TO ROW BONDING CLIP

**UNIRAC**<sup>®</sup>  
 1411 BROADWAY BLVD. NE  
 ALBUQUERQUE, NM 87102 USA  
 PHONE: 505.242.6411  
 WWW.UNIRAC.COM

PRODUCT LINE:	METALX
DRAWING TYPE:	PART
DESCRIPTION:	BONDING CLIP
REVISION DATE:	4/21/2023

DRAWING NOT TO SCALE  
 ALL DIMENSIONS ARE  
 NOMINAL

PRODUCT PROTECTED BY  
 ONE OR MORE US PATENTS

LEGAL NOTICE

MX-P01  
 SHEET