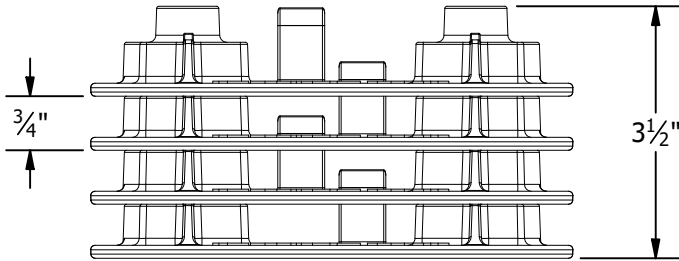
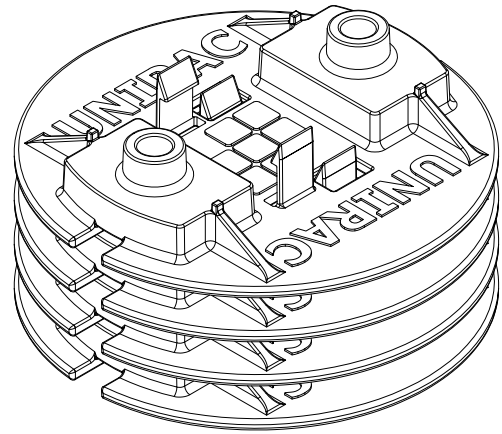
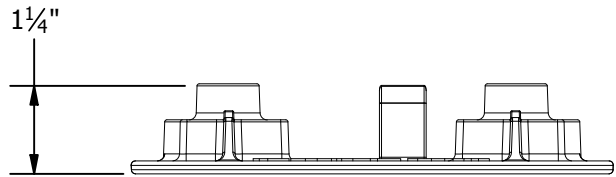
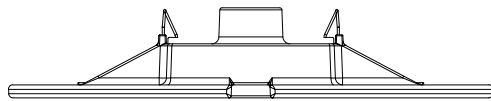
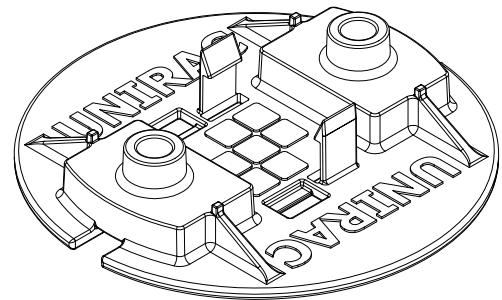
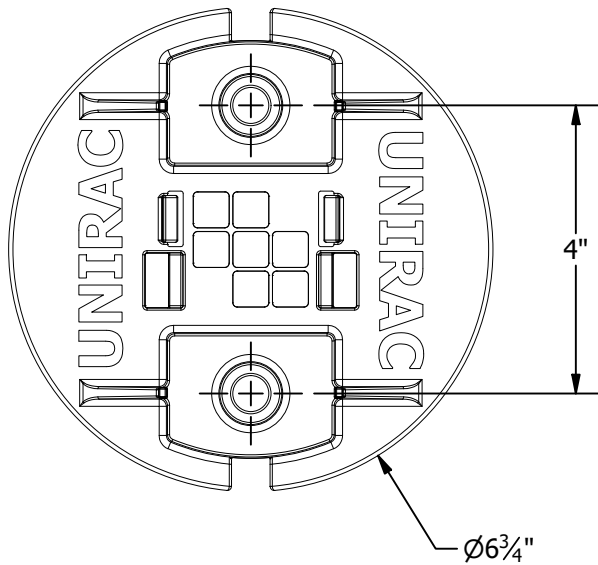


PART # TABLE	
P/N	DESCRIPTION
360060	ROOFPAD



NOTE:
 ROOFPADS MAY BE STACKED (UP TO 4) AS SHOWN
 TO ACCOMMODATE ROOF UNDULATIONS.
 ROOFPAD STACKING NOT ALLOWED ON SOUTH END OF THE ARRAY.



1411 BROADWAY BLVD. NE
 ALBUQUERQUE, NM 87102 USA
 PHONE: 505.242.6411
 WWW.UNIRAC.COM

PRODUCT LINE:	GRIDFLEX
DRAWING TYPE:	PART
DESCRIPTION:	ROOFPAD
REVISION DATE:	9/15/2021

DRAWING NOT TO SCALE
 ALL DIMENSIONS ARE
 NOMINAL

PRODUCT PROTECTED BY
 ONE OR MORE US PATENTS
 LEGAL NOTICE

GF-P01

SHEET