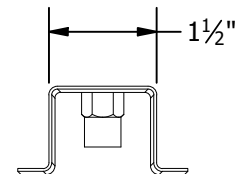
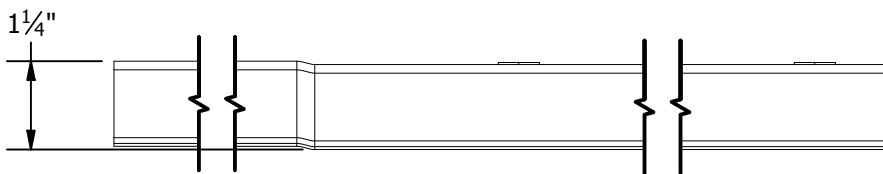
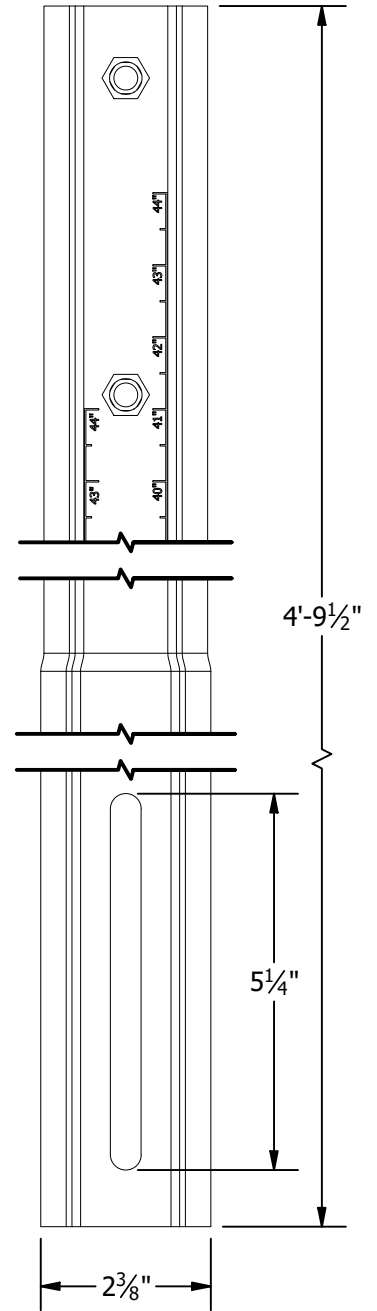
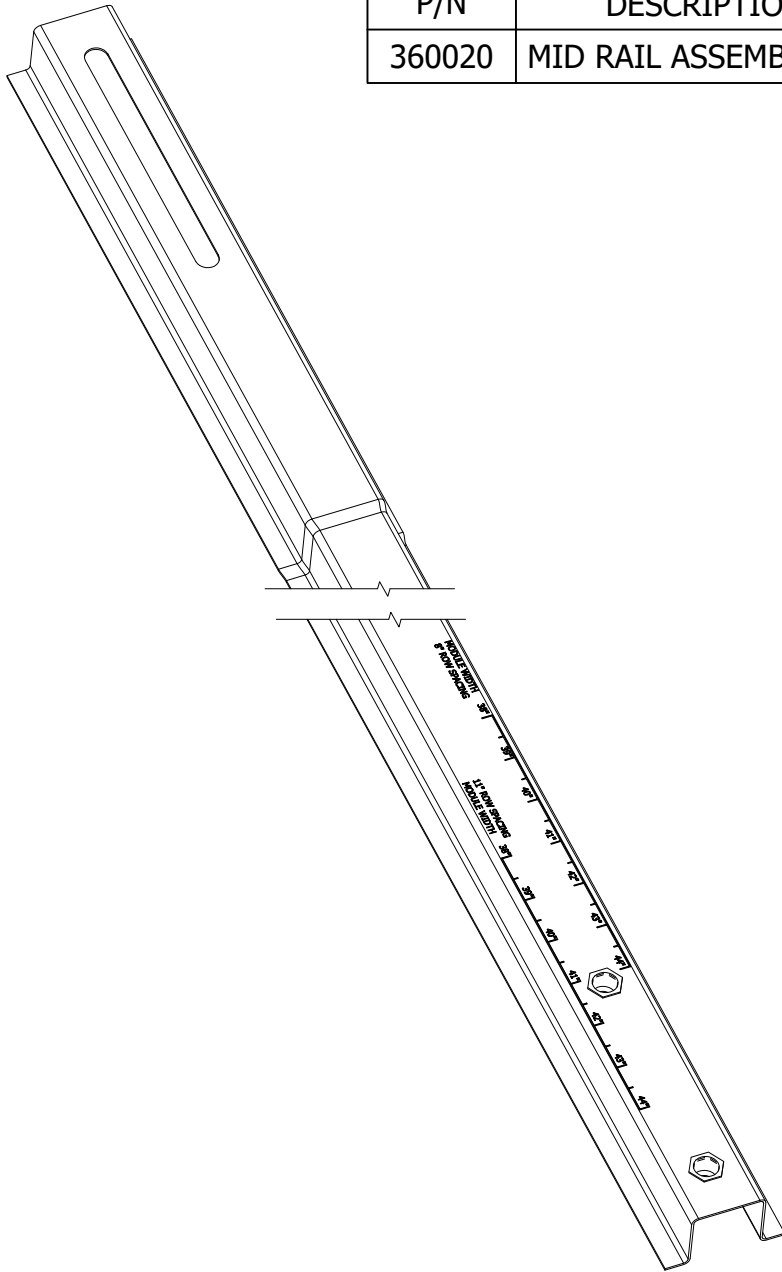


PART # TABLE	
P/N	DESCRIPTION
360020	MID RAIL ASSEMBLY



1411 BROADWAY BLVD. NE
 ALBUQUERQUE, NM 87102 USA
 PHONE: 505.242.6411
 WWW.UNIRAC.COM

PRODUCT LINE:	GRIDFLEX
DRAWING TYPE:	ASSEMBLY
DESCRIPTION:	MID RAIL
REVISION DATE:	1/14/2021

DRAWING NOT TO SCALE
 ALL DIMENSIONS ARE
 NOMINAL

PRODUCT PROTECTED BY
 ONE OR MORE US PATENTS
 LEGAL NOTICE

GF-A06
 SHEET