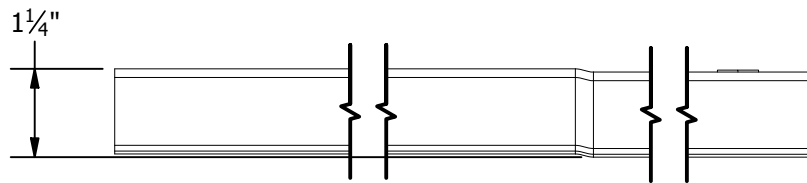
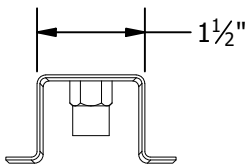
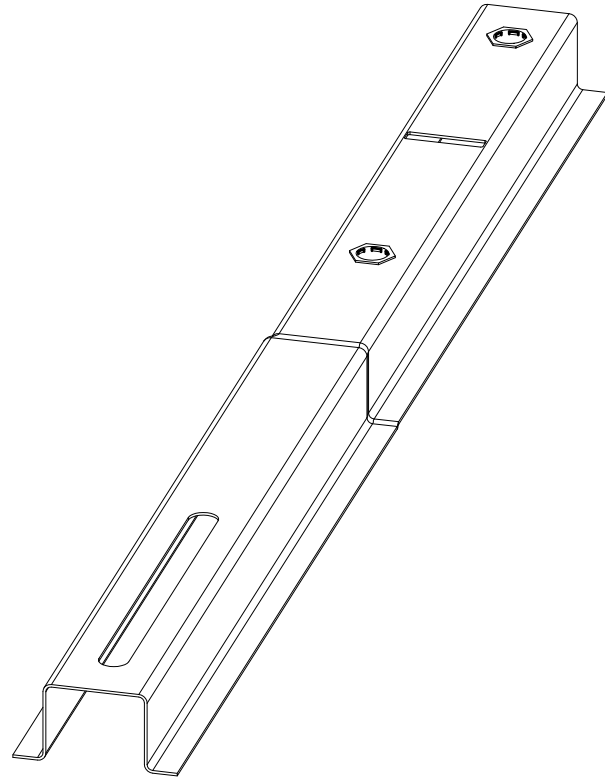
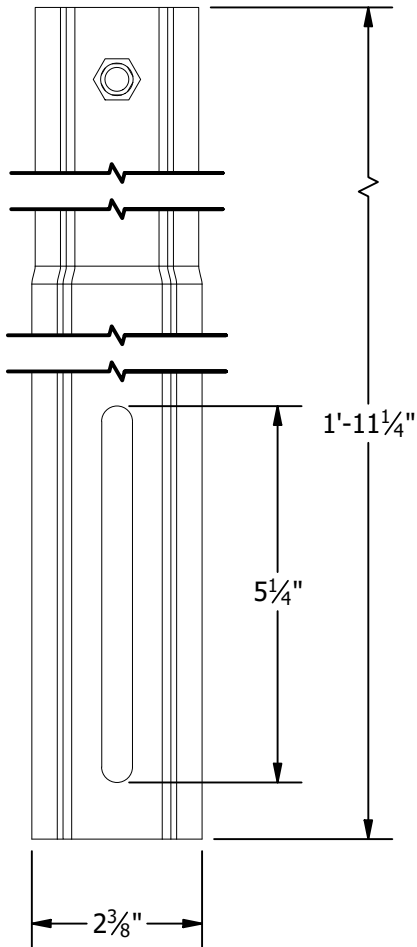


PART # TABLE	
P/N	DESCRIPTION
360010	NORTH RAIL ASSEMBLY



1411 BROADWAY BLVD. NE
 ALBUQUERQUE, NM 87102 USA
 PHONE: 505.242.6411
 WWW.UNIRAC.COM

PRODUCT LINE:	GRIDFLEX
DRAWING TYPE:	ASSEMBLY
DESCRIPTION:	NORTH RAIL
REVISION DATE:	1/25/2021

DRAWING NOT TO SCALE
 ALL DIMENSIONS ARE
 NOMINAL

PRODUCT PROTECTED BY
 ONE OR MORE US PATENTS
 LEGAL NOTICE

GF-A05

SHEET