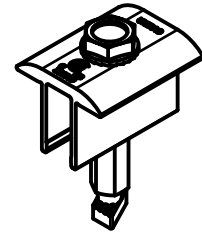
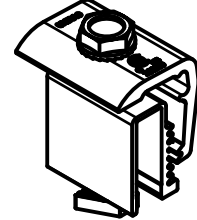


PART # TABLE	
P/N	DESCRIPTION
302045M	UNIVERSAL AF MID CLAMP - MILL
302045D	UNIVERSAL AF MID CLAMP - DRK
302050M	UNIVERSAL AF END CLAMP - MILL
302050D	UNIVERSAL AF END CLAMP - DRK

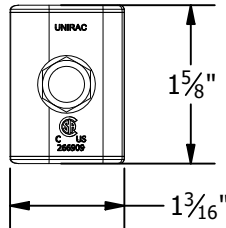


302045M/ 302045D
AF MID CLAMP

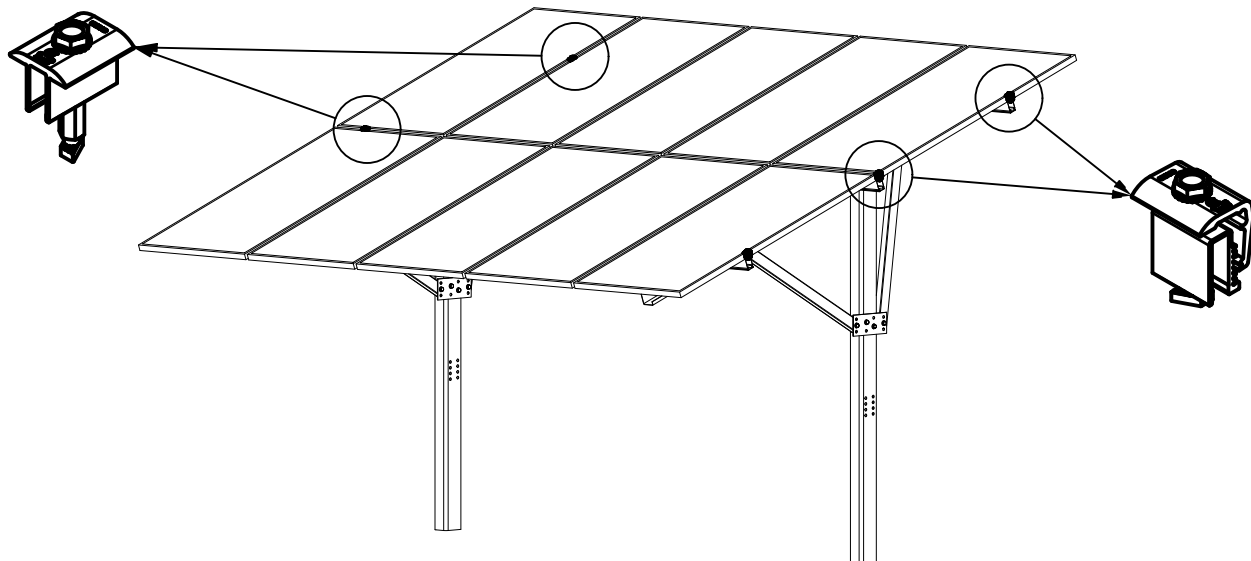
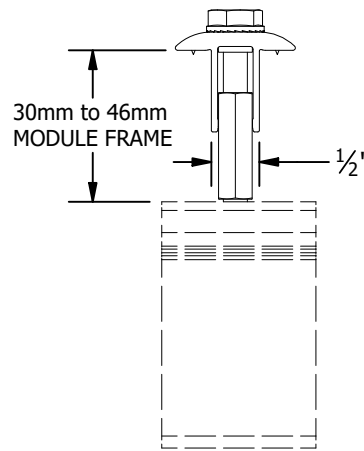
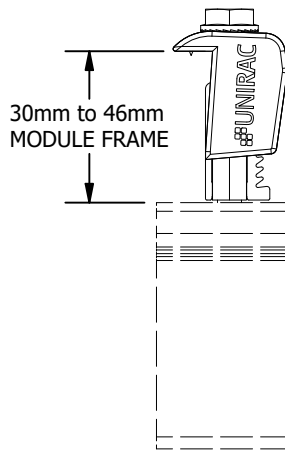
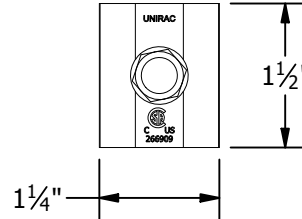


302050M/302050D
AF END CLAMP

UNIVERSAL AF
END CLAMP



UNIVERSAL AF
MID CLAMP



1411 BROADWAY BLVD. NE
ALBUQUERQUE, NM 87102 USA
PHONE: 505.242.6411
WWW.UNIRAC.COM

PRODUCT LINE:	GFT
DRAWING TYPE:	ASSEMBLY DETAIL
DESCRIPTION:	UNIVERSAL AF CLAMPS
REVISION DATE:	4/5/2024

DRAWING NOT TO SCALE
ALL DIMENSIONS ARE
NOMINAL

PRODUCT PROTECTED BY
ONE OR MORE US PATENTS
LEGAL NOTICE

GFT-A02

SHEET