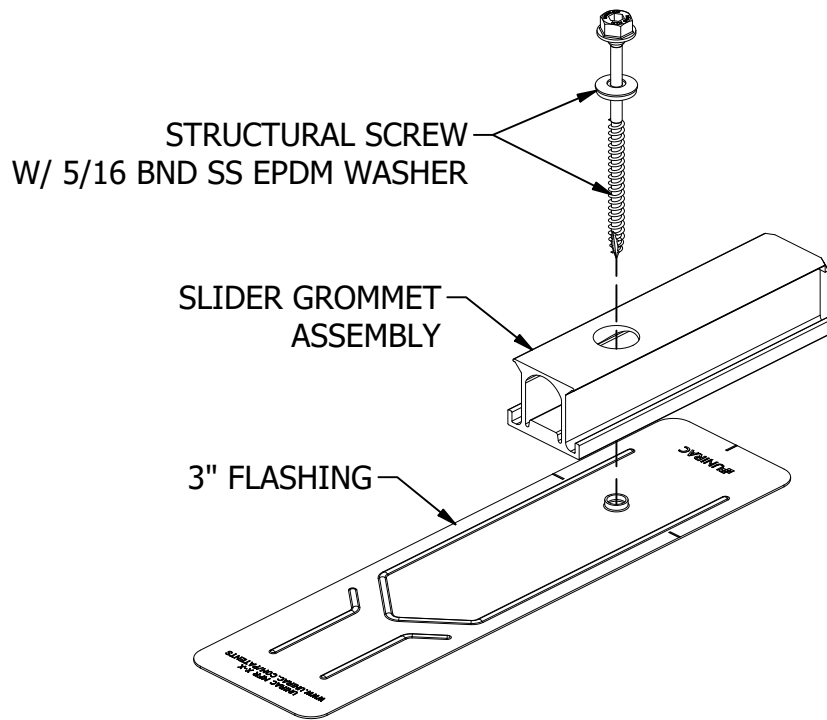
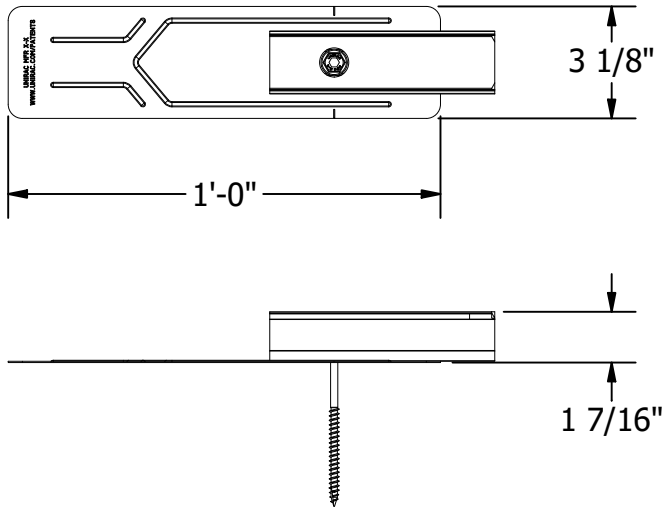


PART # TABLE	
P/N	DESCRIPTION
004271D	FLASHKIT SFM TRIM S SLIDER DARK



### FLASHKIT SFM TRIM S SLIDER



1411 BROADWAY BLVD. NE  
ALBUQUERQUE, NM 87102 USA  
PHONE: 505.242.6411  
WWW.UNIRAC.COM

PRODUCT LINE:	SFM INFINITY
DRAWING TYPE:	PARTS ASSEMBLY
DESCRIPTION:	FLASHKIT SLIDER S
REVISION DATE:	4/22/2019

DRAWING NOT TO SCALE ALL DIMENSIONS ARE NOMINAL
PRODUCT PROTECTED BY ONE OR MORE US PATENTS LEGAL NOTICE

SFM-A08  
SHEET