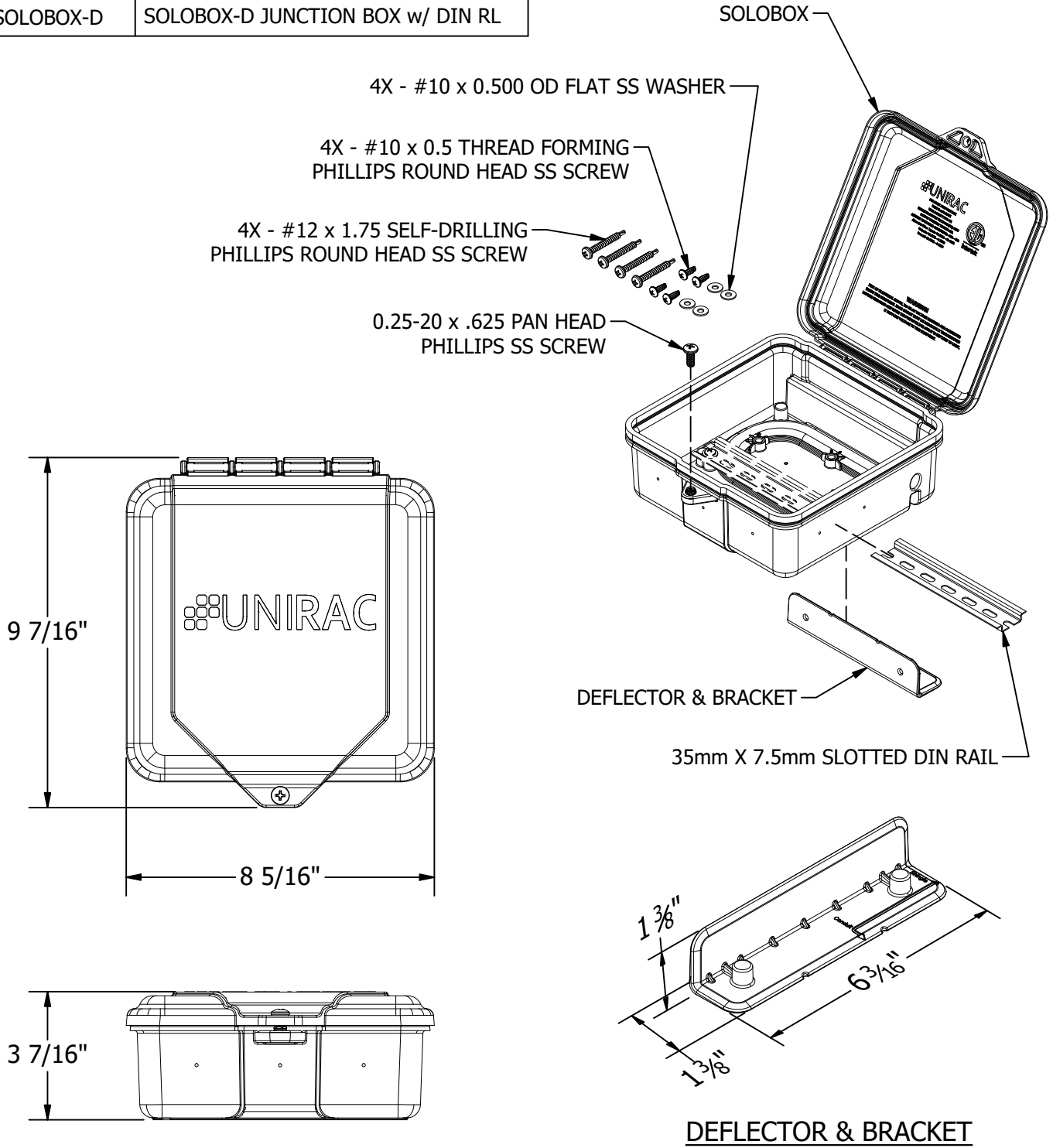


PART # TABLE	
P/N	DESCRIPTION
SOLOBOX-D	SOLOBOX-D JUNCTION BOX w/ DIN RL



UNIRAC
 1411 BROADWAY BLVD. NE
 ALBUQUERQUE, NM 87102 USA
 PHONE: 505.242.6411
 WWW.UNIRAC.COM

PRODUCT LINE:	E-BOSS
DRAWING TYPE:	PARTS ASSEMBLY
DESCRIPTION:	SOLOBOX-D
REVISION DATE:	6/30/2020

DRAWING NOT TO SCALE
 ALL DIMENSIONS ARE
 NOMINAL

PRODUCT PROTECTED BY
 ONE OR MORE US PATENTS

LEGAL NOTICE

EB-A04

SHEET