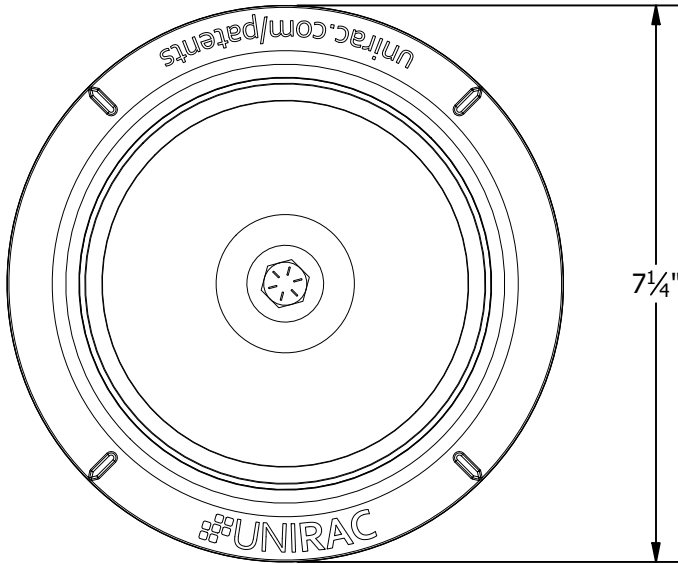
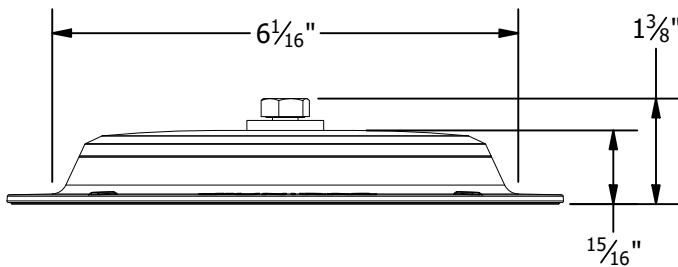


NOTES:

1. ATTACHMENT CAN ACCOMMODATE ROOFING SCREW SIZES #12 - #15. FASTENER SIZE, LENGTH, AND QUANTITY TO BE SELECTED BY STRUCTURAL ENGINEER OF RECORD WHEN DESIGNING FOR THE SPECIFIC PROJECT CONSTRUCTION AND CAPACITY.
2. REFER TO THE UNIRAC INSTALLATION GUIDE FOR PROPER USE OF CHEM LINK M1 AND ONE-PART SEALANTS FOR WATER TIGHT INSTALLATION.

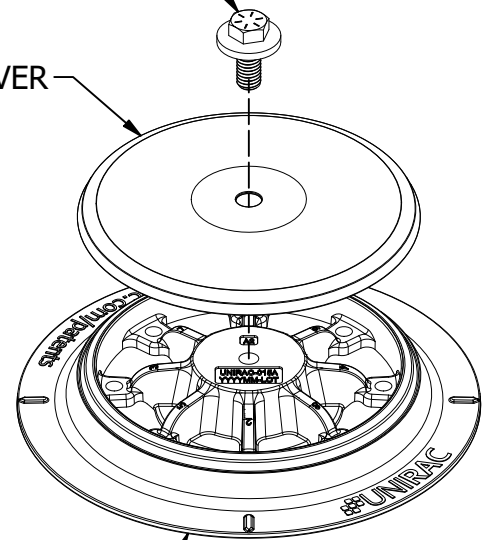


TOP VIEW



Ø 3/8" HARDWARE
(PRE-ASSEMBLED)

COVER



BASE

PART # TABLE	
P/N	DESCRIPTION
310999	FLASHLOC RM KIT

ULTIMATE TEST LOAD (WITH 8 ROOF FASTENERS)

UPLIFT ULTIMATE CAPACITY	6,670 lbs.
SHEAR ULTIMATE CAPACITY	5,760 lbs.



1411 BROADWAY BLVD. NE
ALBUQUERQUE, NM 87102 USA
PHONE: 505.242.6411
WWW.UNIRAC.COM

PRODUCT LINE:	RM
DRAWING TYPE:	ASSEMBLY DETAIL
DESCRIPTION:	FLASHLOC RM KIT
REVISION DATE:	6/26/2020

DRAWING NOT TO SCALE
ALL DIMENSIONS ARE
NOMINAL

PRODUCT PROTECTED BY
ONE OR MORE US PATENTS
LEGAL NOTICE

RMF-A01

SHEET