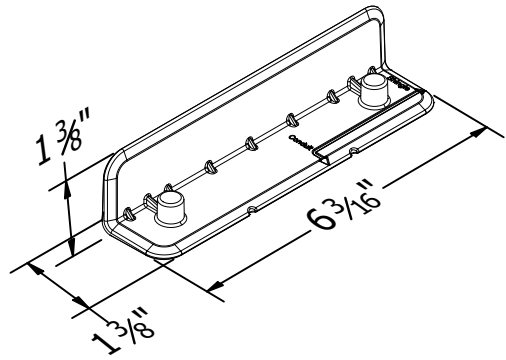
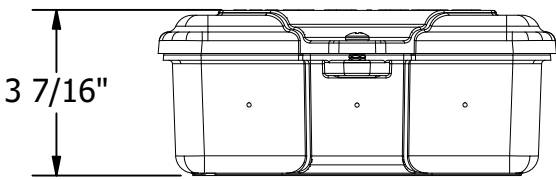
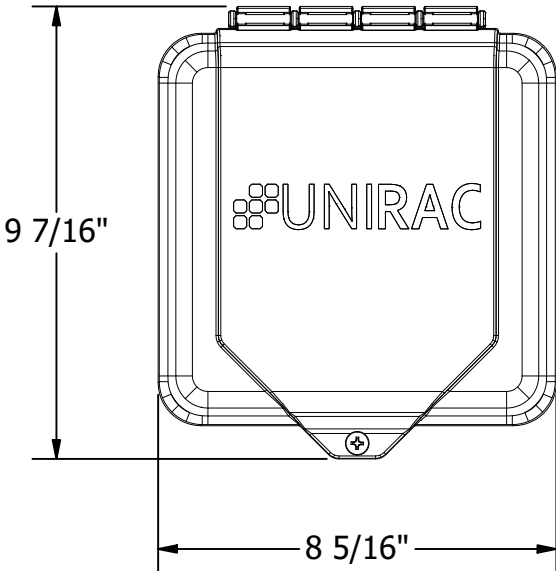
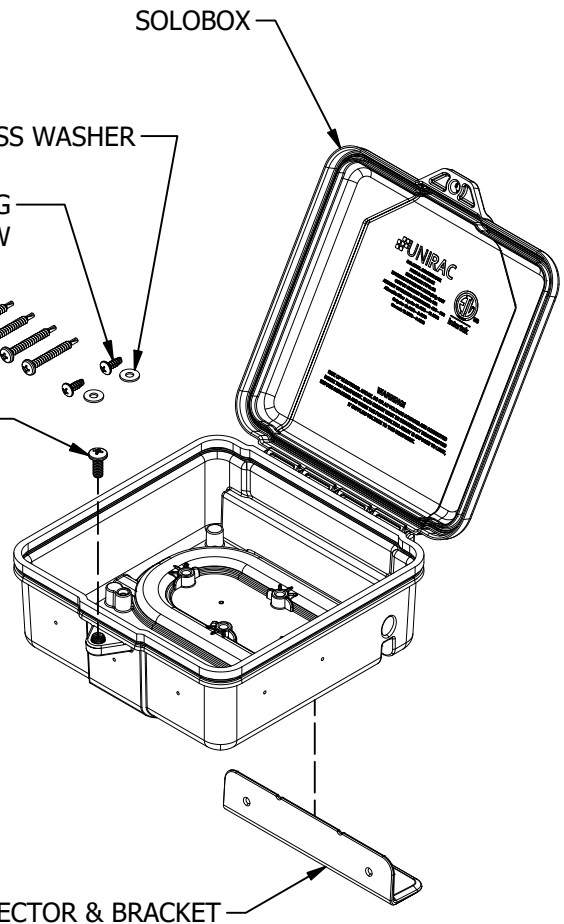


| PART # TABLE | |
|--------------|----------------------|
| P/N | DESCRIPTION |
| SOLOBOX | SOLOBOX JUNCTION BOX |

- 2X - #10 x 0.500 OD FLAT SS WASHER
- 2X - #10 x 0.5 THREAD FORMING PHILLIPS ROUND HEAD SS SCREW
- 4X - #12 x 1.75 SELF-DRILLING PHILLIPS ROUND HEAD SS SCREW
- 0.25-20 x .625 PAN HEAD PHILLIPS SS SCREW



DEFLECTOR & BRACKET

UNIRAC[®]
 1411 BROADWAY BLVD. NE
 ALBUQUERQUE, NM 87102 USA
 PHONE: 505.242.6411
 WWW.UNIRAC.COM

| | |
|----------------|----------------|
| PRODUCT LINE: | E-BOSS |
| DRAWING TYPE: | PARTS ASSEMBLY |
| DESCRIPTION: | SOLOBOX |
| REVISION DATE: | 6/30/2020 |

DRAWING NOT TO SCALE
 ALL DIMENSIONS ARE
 NOMINAL

PRODUCT PROTECTED BY
 ONE OR MORE US PATENTS

LEGAL NOTICE

EB-A03

SHEET