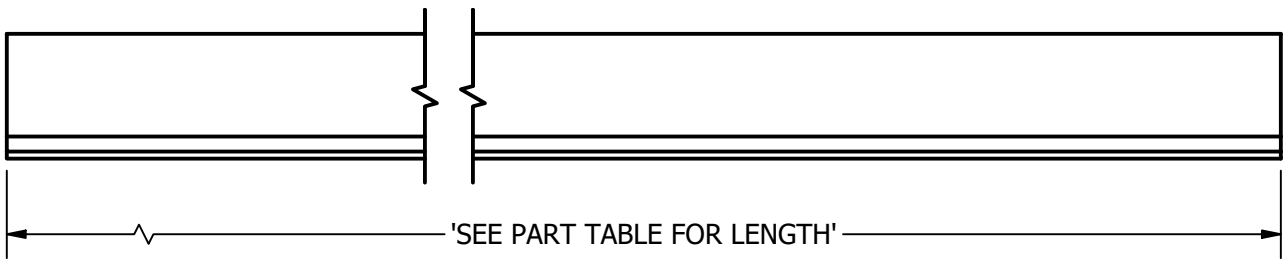
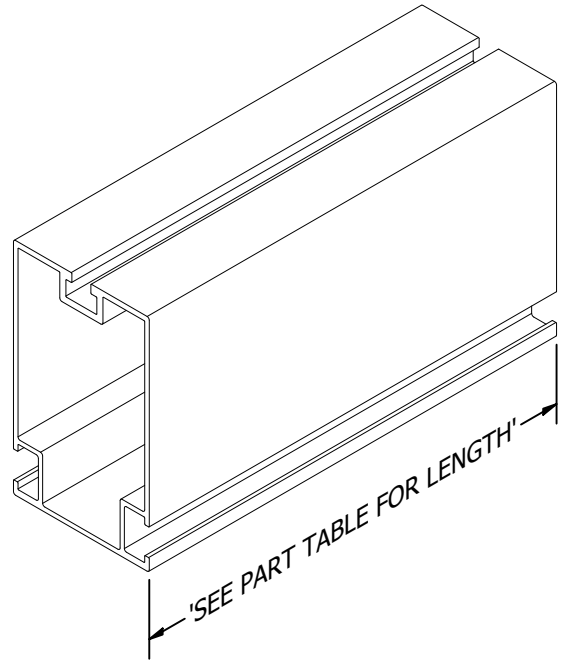
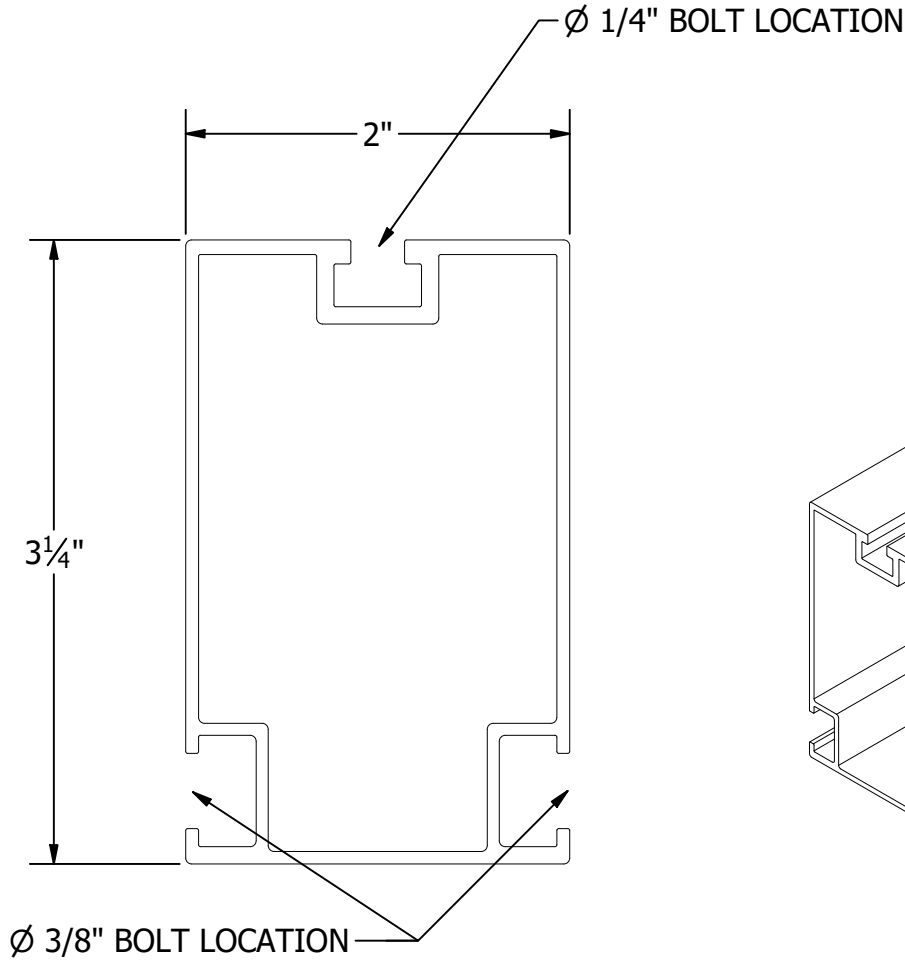


| PART # TABLE | | |
|--------------|--------------------|--------|
| P/N | DESCRIPTION | LENGTH |
| 411168M | GFT RAIL 168" MILL | 14' |
| 411246M | GFT RAIL 246" MILL | 20'-6" |



1411 BROADWAY BLVD. NE
 ALBUQUERQUE, NM 87102 USA
 PHONE: 505.242.6411
 WWW.UNIRAC.COM

| | |
|----------------|-------------|
| PRODUCT LINE: | GFT |
| DRAWING TYPE: | PART DETAIL |
| DESCRIPTION: | GFT RAIL |
| REVISION DATE: | 4/2/2024 |

DRAWING NOT TO SCALE
 ALL DIMENSIONS ARE
 NOMINAL

PRODUCT PROTECTED BY
 ONE OR MORE US PATENTS
 LEGAL NOTICE

GFT-P01

SHEET