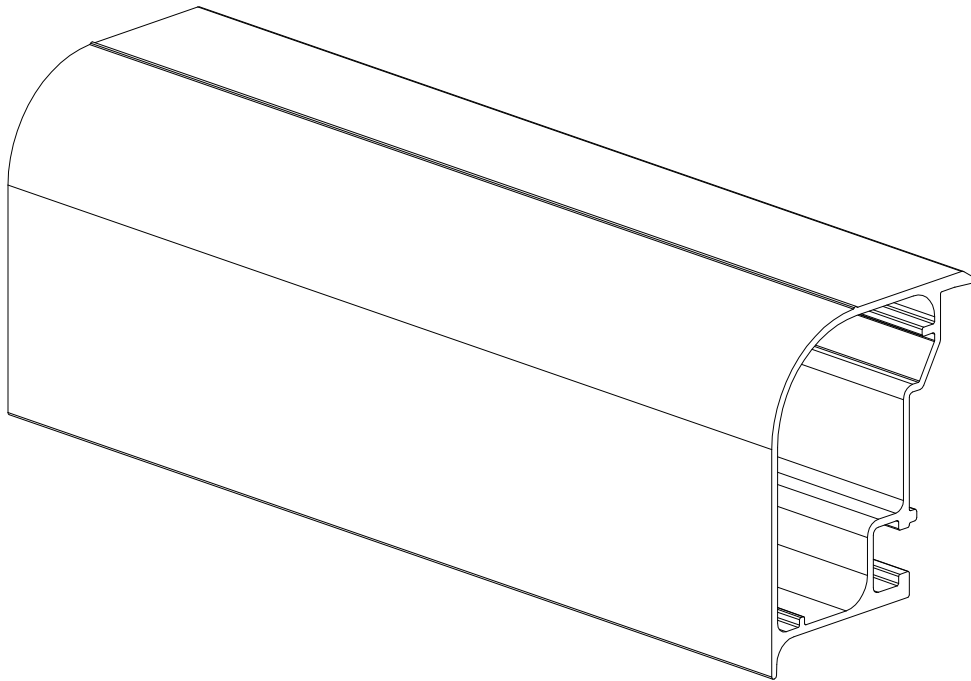
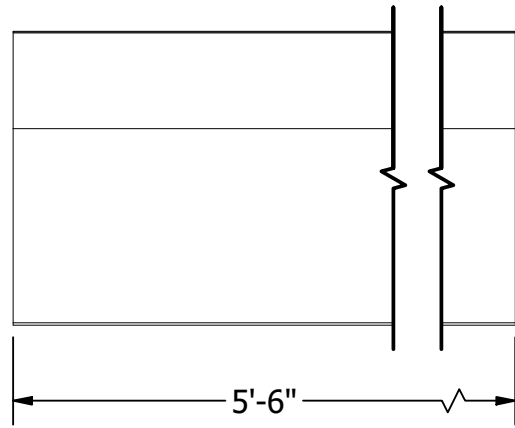
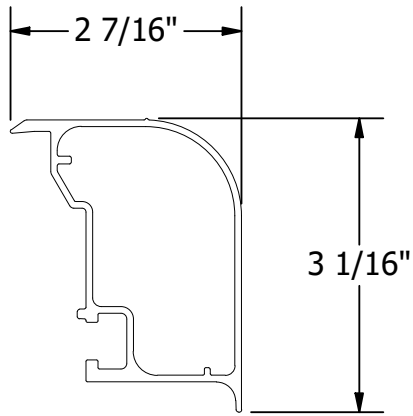


PART # TABLE	
P/N	DESCRIPTION
250100U	SFM TRIMRAIL UNIV DARK



SFM TRIMRAIL UNIV



1411 BROADWAY BLVD. NE  
 ALBUQUERQUE, NM 87102 USA  
 PHONE: 505.242.6411  
 WWW.UNIRAC.COM

PRODUCT LINE:	SFM INFINITY
DRAWING TYPE:	PART
DESCRIPTION:	TRIMRAIL UNIV
REVISION DATE:	4/22/2019

DRAWING NOT TO SCALE  
 ALL DIMENSIONS ARE  
 NOMINAL

PRODUCT PROTECTED BY  
 ONE OR MORE US PATENTS  
 LEGAL NOTICE

SFM-P01  
 SHEET