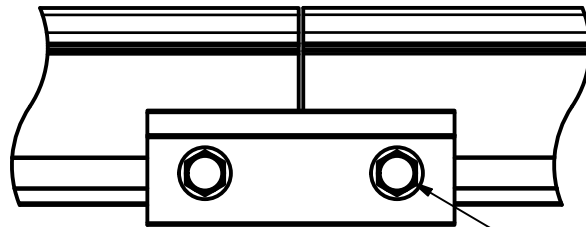
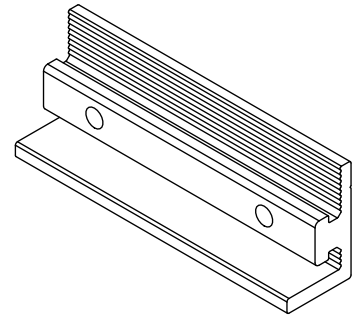
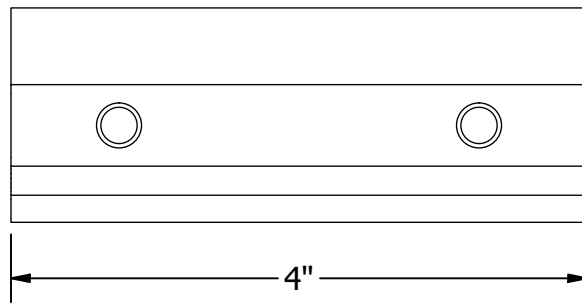
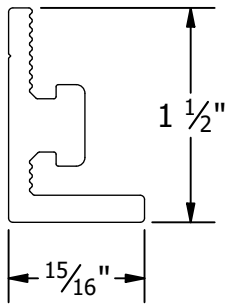
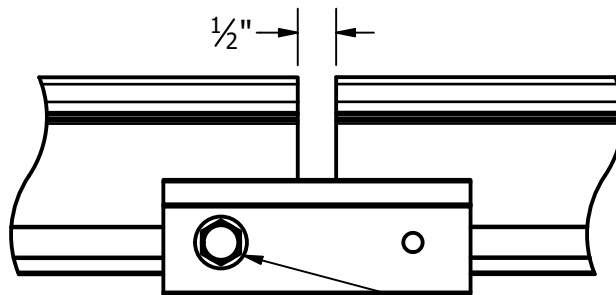


BONDING SPLICE BAR



TYPICAL SPLICE BAR DETAIL

5/16"-18 TYPE F THREAD
CUTTING SCREWS INCLUDED



TYPICAL EXPANSION JOINT DETAIL

NOTE THAT ONLY 1 SCREW IS
USED AT AN EXPANSION JOINT.
THE SPLICE BAR DOES NOT BOND
ACROSS AN EXPANSION JOINT.
SEE INSTALLATION GUIDE FOR
INSTRUCTION.

PART # TABLE

P/N	DESCRIPTION
303019M	BND SPLICE BAR PRO SERIES MILL
303019D	BND SPLICE BAR PRO SERIES DRK



1411 BROADWAY BLVD. NE
ALBUQUERQUE, NM 87102 USA
PHONE: 505.242.6411
WWW.UNIRAC.COM

PRODUCT LINE:	SOLARMOUNT
DRAWING TYPE:	PART & ASSEMBLY
DESCRIPTION:	BONDING SPLICE BAR PRO SERIES
REVISION DATE:	9/17/2019

DRAWING NOT TO SCALE
ALL DIMENSIONS ARE
NOMINAL

PRODUCT PROTECTED BY
ONE OR MORE US PATENTS

LEGAL NOTICE

SM-A05

SHEET