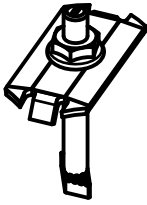
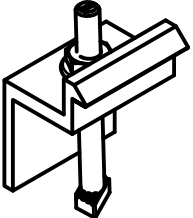


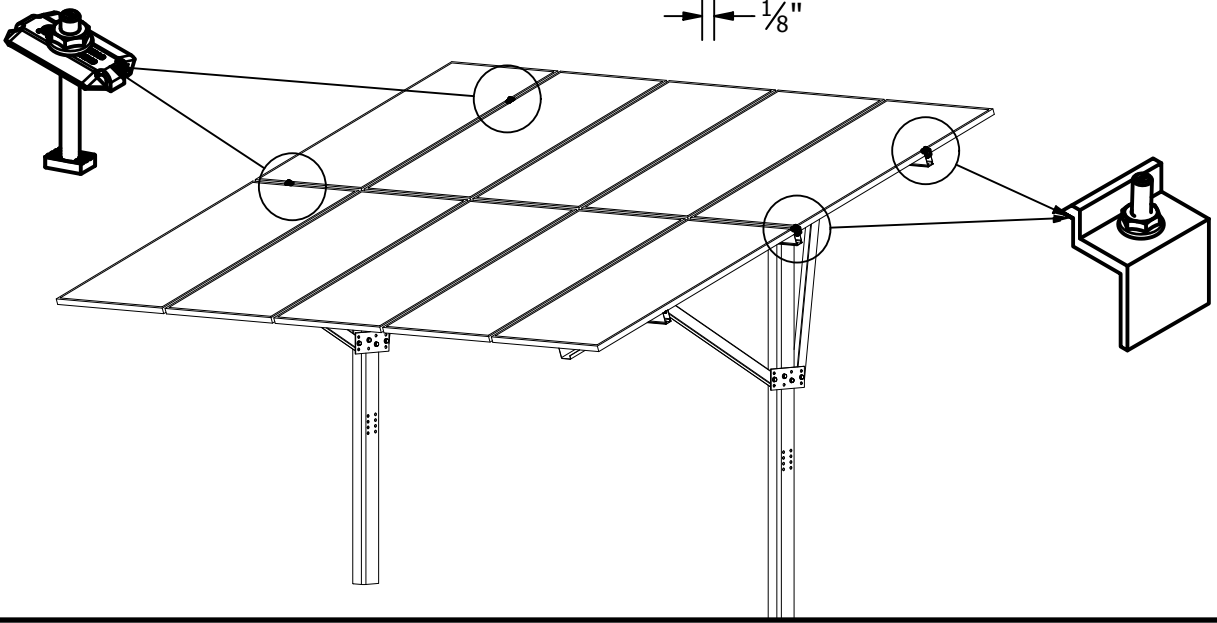
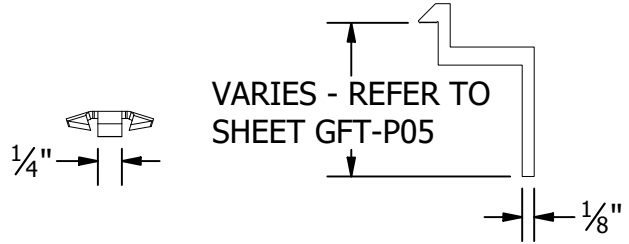
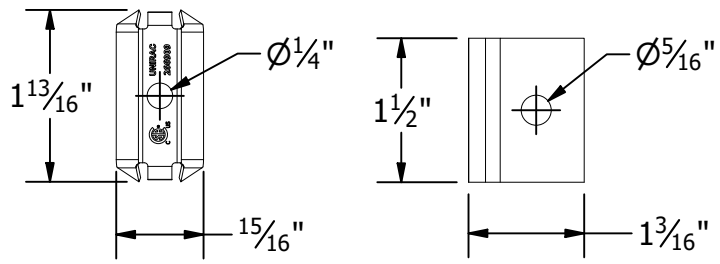
PART # TABLE	
P/N	DESCRIPTION
302027C	SM BND MIDCLAMP BC SS
302027D	SM BND MIDCLAMP BC DRK SS
302028C	SM BND MIDCLAMP EF SS
302028D	SM BND MIDCLAMP EF DRK SS
302029C	SM BND MIDCLAMP DK SS
302029D	SM BND MIDCLAMP DK DRK SS
	FOR BONDING END CLAMP - REFER TO SHEET GFT-P05



302027C/D 302028C/D 302029C/D
SM BND MIDCLAMP



REFER GFT-P05 FOR P/N
SM ENDCLAMP



UNIRAC
 1411 BROADWAY BLVD. NE
 ALBUQUERQUE, NM 87102 USA
 PHONE: 505.242.6411
 WWW.UNIRAC.COM

PRODUCT LINE:	GFT
DRAWING TYPE:	ASSEMBLY DETAIL
DESCRIPTION:	STANDARD BONDING CLAMPS
REVISION DATE:	4/5/2024

DRAWING NOT TO SCALE
 ALL DIMENSIONS ARE
 NOMINAL

PRODUCT PROTECTED BY
 ONE OR MORE US PATENTS

LEGAL NOTICE

GFT-A03
 SHEET